



**General characteristics**

Material

Housing	Polymer thermoplastic
Roller	Plastic

**Contact characteristics**

Type of contact

1NO+1NC Slow action make before break

Thermal current Ith	A	10
IEC/EN 60947-5-1 designation		A600 Q600
Rated insulation voltage Ui	V	690
Rated impulse withstand voltage Uimp	kV	6
Insulation class		II
Short-circuit protection with fuse	Class/A	10 gG/SC QUICK FUSE

Switching speed

min	m/s	0.5
max	m/s	1.5

IEC Conventional free air thermal current Ith ≤ 40°C	A	10
Resistance per pole (average value)	mΩ	<10

**Mechanical features**

Operating head fixing		Locking bayonet insert
-----------------------	--	------------------------

Operating torque

Ncm	3
ozin	4.25

Tightening torque (Max)

Switch fixing	Nm	2.5
	lbin	22.1

Contact terminals	Nm	0.8
	lbin	7

Body lid screw fixing	Nm	0.8
	lbin	7

Conductor section

AWG/Kcmil	min	16
	max	14

IEC	min	mm <sup>2</sup>	1.5
	max	mm <sup>2</sup>	2.5

Cable connection

Self-releasing screw terminal

Cable entry	M20 on the bottom
-------------	-------------------

**Operations**

Mechanical life	cycles	<10000000
Mechanical operation	cycles/h	3600

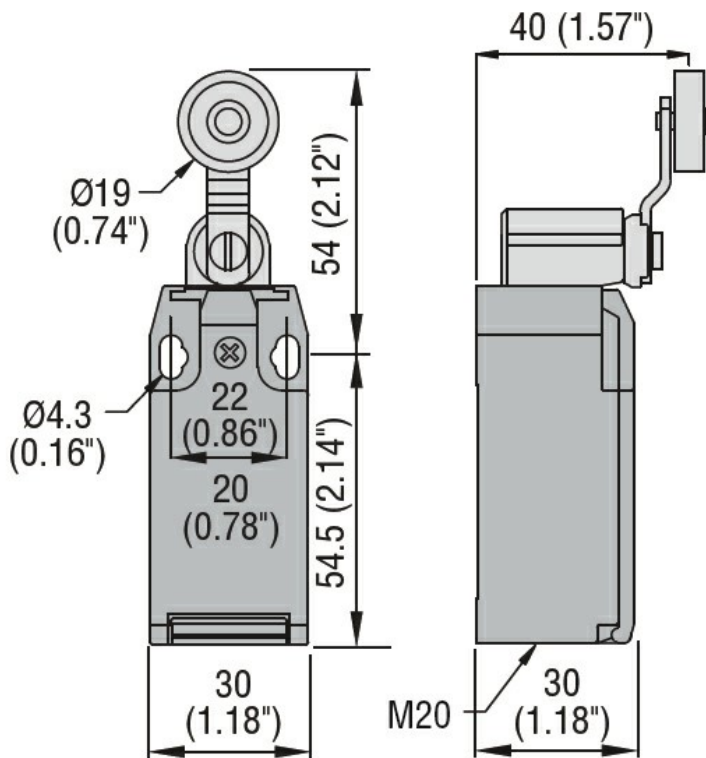
**Ambient conditions**

Temperature	Operating temperature	min	°C	-25
		max	°C	+70
	Storage temperature	min	°C	-40
		max	°C	+70

**Resistance & Protection**

IP degree	Terminals	IP20
	Body housing	IP65
Pollution degree		3

**Dimensions**



**Wiring diagrams**

## Slow action



**1NO + 1NC**  
**make before break**

### Certifications and compliance

#### Compliance

CSA C22.2 n° 14

EN 50047

IEC/EN 60204-1

IEC/EN 60947-1

IEC/EN 60947-5-1

UL508

#### Certificates

CCC

cULus

EAC

### ETIM classification

ETIM 8.0

EC000030 - End  
switch