



General characteristics

Material

Housing
Roller
Polymer thermoplastic
Plastic

Contact characteristics

| | | |
|--|------------|------------------------|
| Type of contact | | 3NC Snap action |
| Thermal current I _{th} | A | 10 |
| IEC/EN 60947-5-1 designation | | A600 Q600 |
| Rated insulation voltage U _i | V | 690 |
| Rated impulse withstand voltage U _{imp} | kV | 6 |
| Insulation class | | II |
| Short-circuit protection with fuse | Class/A | 10 gG/SC QUICK FUSE |
| Switching speed | min max | m/s 0.5 1.5 |
| IEC Conventional free air thermal current I _{th} ≤ 40°C | A | 10 |
| Resistance per pole (average value) | mΩ | <10 |

Mechanical features

| | | |
|-------------------------|------------|--|
| Operating head fixing | | Locking bayonet insert |
| Operating torque | N lb | 6 1.34 |
| Tightening torque (Max) | | |
| Switch fixing | Nm lbin | 2.5 22.1 |
| Contact terminals | Nm lbin | 0.8 7 |
| Body lid screw fixing | Nm lbin | 0.8 7 |
| Conductor section | | |
| AWG/Kcmil | min max | 16 14 |
| IEC | min max | mm ² 1.5 mm ² 2.5 |
| Cable connection | | Self-releasing screw terminal |
| Cable entry | | M20 on the bottom |

Operations

| | | |
|----------------------|----------|-----------|
| Mechanical life | cycles | <10000000 |
| Mechanical operation | cycles/h | 3600 |

Ambient conditions

Temperature

Operating temperature

| | | |
|-----|----|-----|
| min | °C | -25 |
| max | °C | +70 |

Storage temperature

| | | |
|-----|----|-----|
| min | °C | -40 |
| max | °C | +70 |

Resistance & Protection

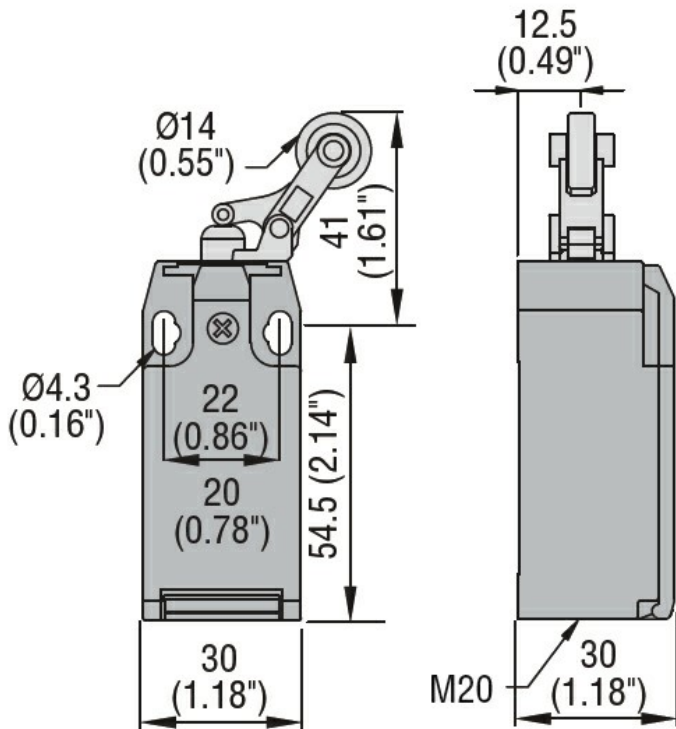
IP degree

| | |
|--------------|------|
| Terminals | IP20 |
| Body housing | IP65 |

Pollution degree

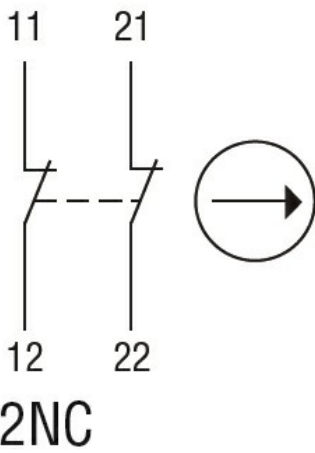
3

Dimensions



Wiring diagrams

Snap action



Certifications and compliance

Compliance

CSA C22.2 n° 14
EN 50047
IEC/EN 60204-1
IEC/EN 60947-1
IEC/EN 60947-5-1
UL508

Certificates

CCC
cULus
EAC

ETIM classification

ETIM 8.0

EC000030 - End
switch