



Input characteristics

Control voltage			10...30VDC
Operating voltage limits			
	Operating voltage pick-up	V	10
	Operating voltage drop-out	V	2
Input current at min...max voltage		mA	6...24
Input reverse voltage		V	32

Operating times

Switching-on			Half cycle max
Switching-off			Half cycle max

Output characteristics

Static output type			SCR (silicon controlled rectifier)
Switching mode			Zero crossing
Rated operating voltage	VAC		24...600
Blocking voltage	V		1200
Operational frequency (min...max)	Hz		45...65
Rated operating current AC-51 (resistive load) at 40°C	A		50
Rated operating current AC-51 (resistive load) at 55°C	A		50
Thermal resistance between junction to case	K/W		0.3
Heatsink for use at 40°C and 55°C at rated current AC-51	K/W		≤0.3
Operational current min	A		0.05
Non repetitive surge peak on state current t=10ms	A		1200
Off state leakage current	mA		1
On state output voltage drop	V		1.2
Critical rate of rise of off-state voltage dv/dt	V/μs		500
Input - Output isolation	V		4000
Input - Output to metal base	V		4000
I ² t	A ² s		7200

Terminal characteristics

Control terminals	Type		Screw
Terminals tool			Blade 3.5mm
Tightening torque control terminals			
	Nm		0.5Nm
	Ibin		4.5
Conductor section connectable (control terminals) with 1 or 2 wires min...max			
	AWG stranded	n°	28...12
	Flexible w/o lug	mm ²	0.75...2.5
	Flexible c/w insulated spade lug	mm ²	0.75...2.5
Load terminals	Type		Screw M5
Load terminals tool			PZ2
Tightening torque load terminals			
	Nm		2...3
	Ibin		20.4

Conductor section connectable (load terminals) with 1 or 2 wires min...max

AWG stranded	n°	16...10
Flexible w/o lug	mm2	1.5...6
Flexible c/w insulated spade lug	mm2	1.5...6

Operating position

allowable Any

Fixing

Screw

Ambient conditions

Temperature

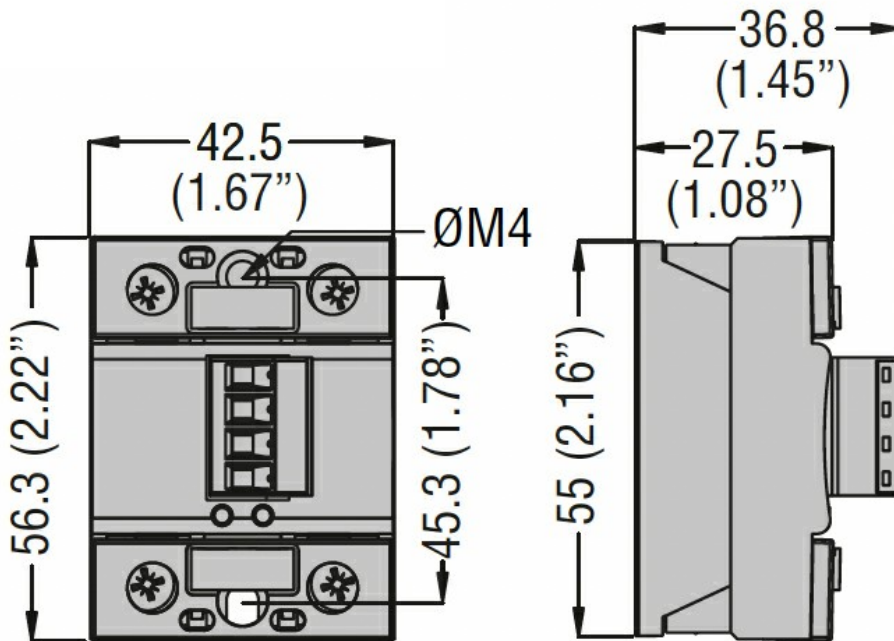
Operating temperature

min	°C	-55
max	°C	+90

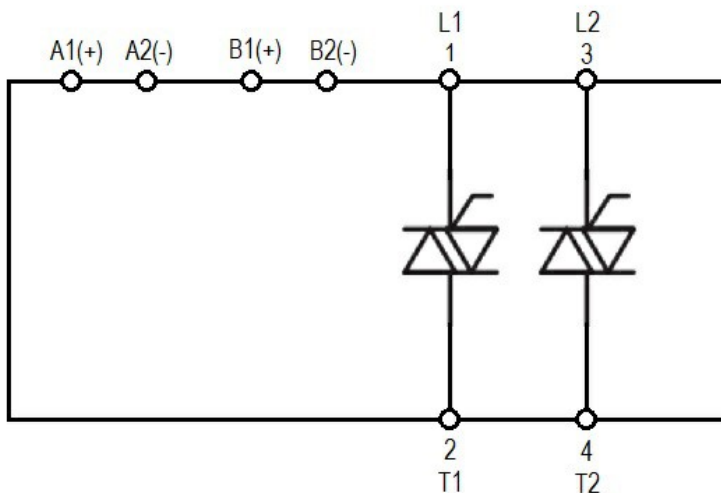
Storage temperature

min	°C	-55
max	°C	+125

Dimensions



Wiring diagrams



Certifications and compliance

Certifications

IEC/EN/BS 60335-1
IEC/EN/BS 60947-4-2
IEC/EN/BS 60947-4-3
IEC/EN/BS 62314

Compliance

CSA
cURus
VDE

ETIM classification

EC000066 - Power contactor, AC switching