



Contact characteristics

IEC Conventional free air thermal current $I_{th} \leq 40^\circ\text{C}$	A	400
IEC Conventional free air thermal current $I_{th} \leq 65^\circ\text{C}$	A	320
Rated insulation voltage U_i IEC/EN	V	1000
Rated impulse withstand voltage U_{imp}	kV	12
Operating current I_e		
AC21A		
	400V	A 400
	500V	A 400
	690V	A 400
AC22A		
	400V	A 400
	500V	A 400
	690V	A 400
AC23A		
	400V	A 400
	500V	A 400
	690V	A 400
Power dissipation per pole max	W	30
Power dissipation per pole without fuse	W	30
Max fuse power dissipation		
	in open air	W 30
	in enclosure	W 30
Rated operational power AC23A		
	400V	kW 220
	690V	kW 400
Reactive power for control of capacitors at		
Rated short time current (1s) I_{cw} (rms)	kA	14
Short-circuit protection with fuse	Class/A	J/400
Making capacity AC23A 400V	A	4000
Breaking capacity AC23A 400V	A	3200
Mechanical life	cycles	5000
Electrical life AC21A	cycles	1000 (AC23A 400V)

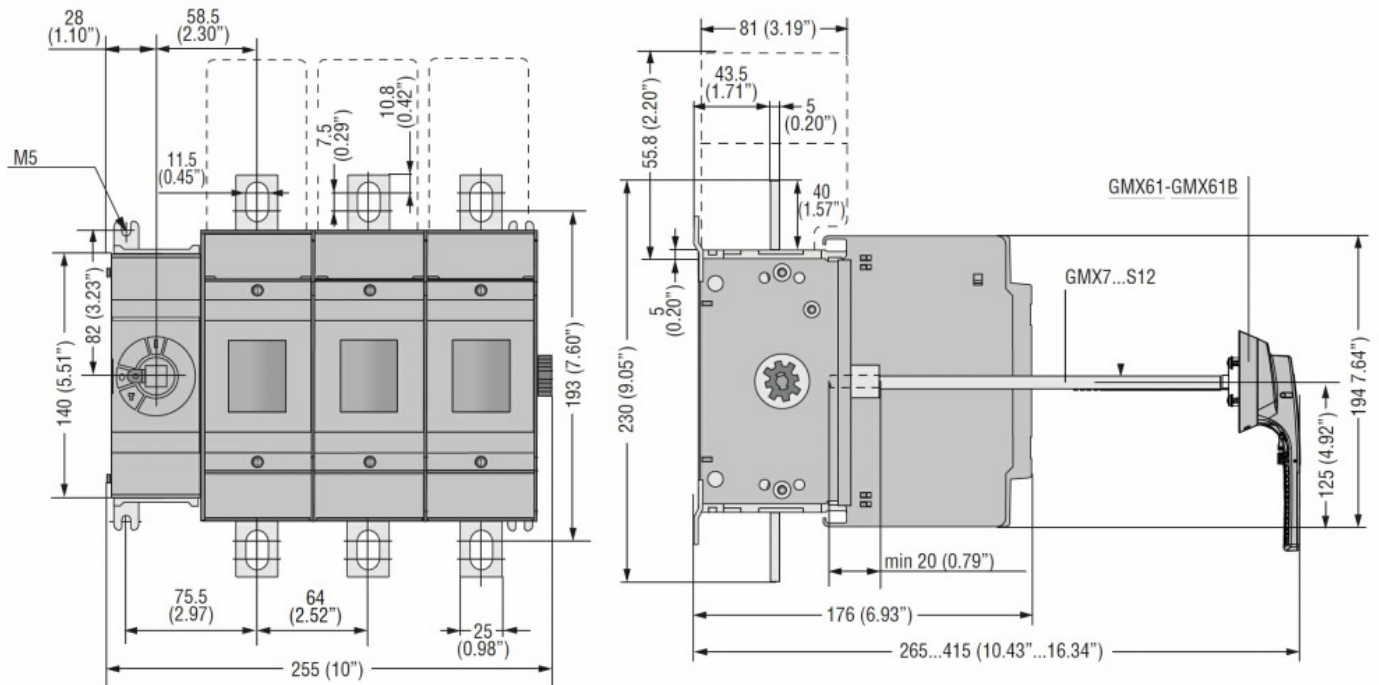
Mechanical features

Operating position	normal allowable	Vertical plan Any
Fixing		Screw
Terminals	type	Bar
Tightening torque for terminals		
	max	Nm 42.5
	max	Ibin 375
Tightening torque for fuse links bolts		Nm 20

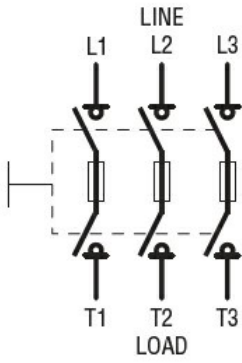
Tightening torque for terminal lug	Nm	27
Conductor section		
Terminal kit lugs		GMX502
UL technical data		
UL Standard		UL98
General purpose current rating	A	400
Operating voltage max	V	600
Horsepower/FLA current three phase motor		
	240V	HP/A 125/312
	480V	HP/A 250/302
	600V	HP/A 350/336
Short circuit rating	kA rms	200
Short circuit rating with fuse	Class/A	J/400
Ambient conditions		
Operating temperature		
	min °C	-25
	max °C	55
Storage temperature		
	min °C	-40
	max °C	70
Max altitude	m	3000

Resistance & Protection		
Frontal IP degree		IP20
Pollution degree		3

Dimensions



Wiring diagrams



Certifications and compliance

Compliance

IEC/EN 60947-1

IEC/EN 60947-3

Certifications

CSA C22.2 n°4

cULus according to UL98

EAC

ETIM classification

ETIM 8.0

EC000216 -
Switch
disconnector