



Contact characteristics

IEC Conventional free air thermal current $I_{th} \leq 40^{\circ}C$	A	250
Rated insulation voltage U_i IEC/EN	V	1000
Rated impulse withstand voltage U_{imp}	kV	12
Operating current I_e		
AC21A	400V	A 250
	500V	A 250
	690V	A 250
AC22A	400V	A 250
	500V	A 250
	690V	A 250
AC23A	400V	A 250
	500V	A 250
	690V	A 250
Power dissipation per pole max	W	6.5
Rated operational power AC23A	400V	kW 140
	690V	kW 250
Reactive power for control of capacitors at		
Conditional short-circuit current (rms)	kA	100
Short-circuit protection with fuse	Class/A	gG/250
Making capacity AC23A 400V	A	2500
Breaking capacity AC23A 400V	A	2000
Mechanical life	cycles	10000

Mechanical features

Operating position	normal allowable	Vertical plan Any
Terminals	type	M8 x 25
Tightening torque for terminals	min	Nm 15
	max	Nm 22
	min	lbin 132
	max	lbin 194
Conductor section	IEC min	mm ² 70
	IEC max	mm ² 185
	AWG/kcmil min	00
	AWG/kcmil max	kcmil 400

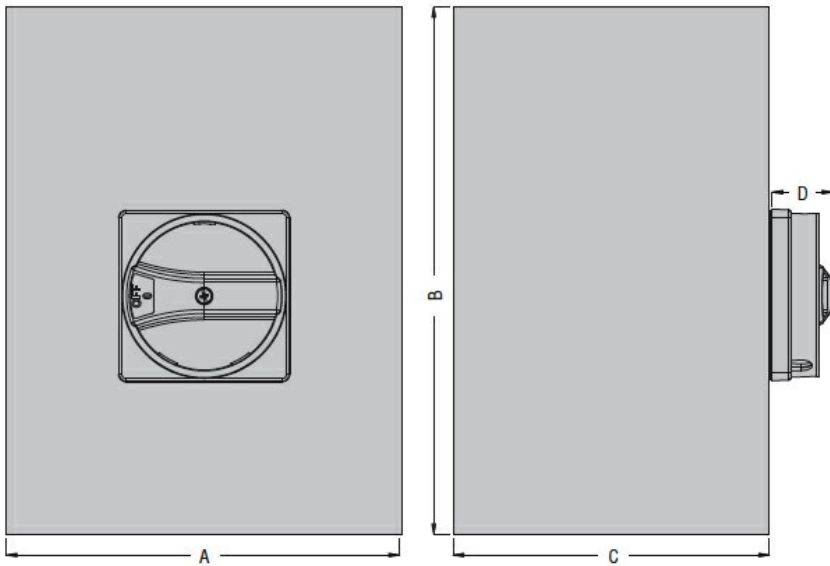
Ambient conditions

Operating temperature

	min	°C	-25
	max	°C	+55
Storage temperature			
	min	°C	-40
	max	°C	+70
Max altitude	m		3000

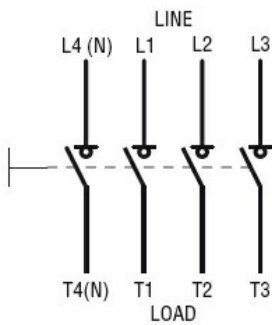
Resistance & Protection			
Frontal IP degree			IP65
IP degree of protection			IP65
Pollution degree			3

Dimensions



Type	A	B	C	D
GLZM0160...GLZM0315...	300 (11.81")	400 (15.75")	250 (9.84")	45,7 (1.80")

Wiring diagrams



Certifications and compliance

Compliance	IEC/EN 60947-1
	IEC/EN 60947-3

ETIM classification

ETIM 8.0	EC000216 - Switch disconnector
----------	--------------------------------