



**Contact characteristics**

IEC Conventional free air thermal current $I_{th} \leq 40^{\circ}C$	A	200
Rated insulation voltage $U_i$ IEC/EN	V	1000
Rated impulse withstand voltage $U_{imp}$	kV	12
Operating current $I_e$		
AC21A		
	400V	A 250
	500V	A 250
	690V	A 250
AC22A		
	400V	A 250
	500V	A 250
	690V	A 250
AC23A		
	400V	A 250
	500V	A 250
	690V	A 250
Power dissipation per pole max	W	6.5
Rated operational power AC23A		
	400V	kW 140
	690V	kW 250
Reactive power for control of capacitors at		
Conditional short-circuit current (rms)	kA	100
Short-circuit protection with fuse	Class/A	gG/250
Making capacity AC23A 400V	A	2500
Breaking capacity AC23A 400V	A	2000
Mechanical life	cycles	10000

**Mechanical features**

Operating position	normal allowable	Vertical plan Any
Terminals	type	M8 x 25
Tightening torque for terminals		
	min	Nm 15
	max	Nm 22
	min	lbin 132
	max	lbin 194
Conductor section		
	IEC min	mm <sup>2</sup> 70
	IEC max	mm <sup>2</sup> 185
	AWG/kcmil min	00
	AWG/kcmil max	kcmil 400

**Ambient conditions**

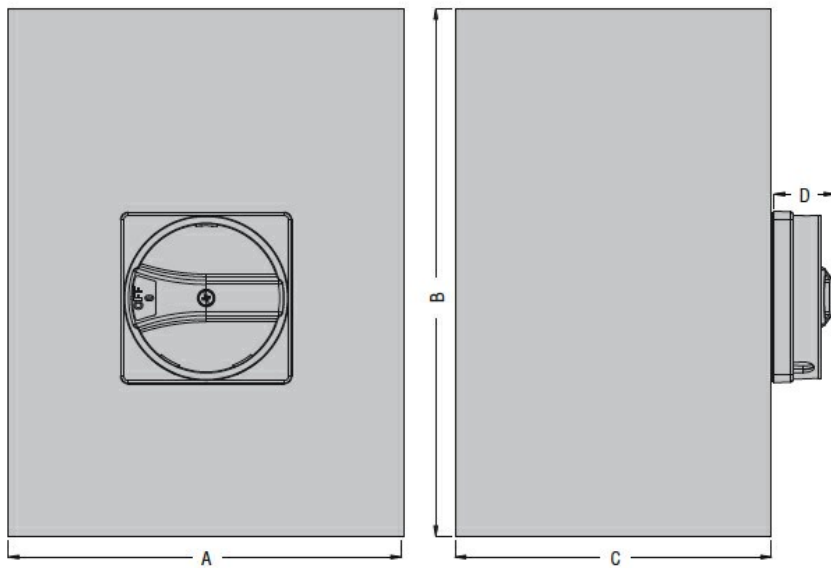
Operating temperature		
-----------------------	--	--

	min	°C	-25
	max	°C	+55
Storage temperature			
	min	°C	-40
	max	°C	+70
Max altitude			
		m	3000

**Resistance & Protection**

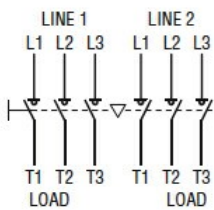
Frontal IP degree	IP65
IP degree of protection	IP65
Pollution degree	3

**Dimensions**



Type	A	B	C	D
GLZM0160 E...GLZM0315 E...	300 (11.81")	400 (15.75")	250 (9.84")	45,7 (1.80")

**Wiring diagrams**



**Certifications and compliance**

Compliance	IEC/EN 60947-1
	IEC/EN 60947-6-1

**ETIM classification**

ETIM 8.0	EC000216 - Switch disconnecter
----------	--------------------------------