



Contact characteristics

IEC Conventional free air thermal current $I_{th} \leq 40^{\circ}C$	A	160
Rated insulation voltage U_i IEC/EN	V	1000
Rated impulse withstand voltage U_{imp}	kV	12
Operating current I_e		
AC21A		
	400V	A 160
	500V	A 160
	690V	A 160
AC22A		
	400V	A 160
	500V	A 160
	690V	A 160
AC23A		
	400V	A 160
	500V	A 160
	690V	A 160
Power dissipation per pole max	W	3.2
Rated operational power AC23A		
	400V	kW 90
	690V	kW 134
Reactive power for control of capacitors at		
Conditional short-circuit current (rms)	kA	100
Short-circuit protection with fuse	Class/A	gG/160
Making capacity AC23A 400V	A	1600
Breaking capacity AC23A 400V	A	1280
Mechanical life	cycles	10000

Mechanical features

Operating position	normal allowable	Vertical plan Any
Terminals	type	M8 x 25
Tightening torque for terminals		
	min	Nm 15
	max	Nm 22
	min	lbin 132
	max	lbin 194
Conductor section		
	IEC min	mm ² 70
	IEC max	mm ² 185
	AWG/kcmil min	00
	AWG/kcmil max	kcmil 400

Ambient conditions

Operating temperature

min	°C	-25
max	°C	+55

Storage temperature

min	°C	-40
max	°C	+70

Max altitude

m	3000
---	------

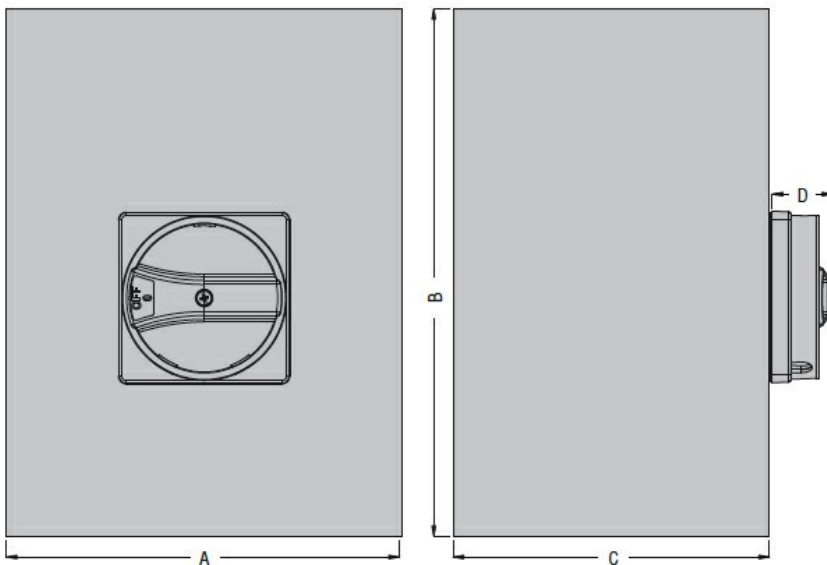
Resistance & Protection

Frontal IP degree IP65

IP degree of protection IP65

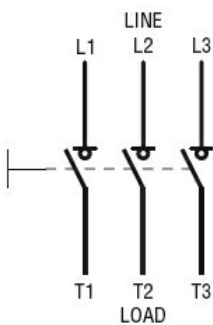
Pollution degree 3

Dimensions



Type	A	B	C	D
GLZM0160...GLZM0315...	300 (11.81")	400 (15.75")	250 (9.84")	45,7 (1.80")

Wiring diagrams



Certifications and compliance

Compliance

IEC/EN 60947-1

IEC/EN 60947-3

ETIM classification

ETIM 8.0

EC000216 -
Switch
disconnector