



### Contact characteristics

IEC Conventional free air thermal current $I_{th} \leq 40^{\circ}\text{C}$	A	100
Rated insulation voltage $U_i$ IEC/EN	V	1000
Operating current $I_e$		
DC21B		
	600V	A 100
	800V	A 100
	1000V	A 100
DCPV1		
	600V	A 100
	800V	A 100

### Mechanical features

Operating position	normal allowable	Vertical plan Any
Fixing		Screw / DIN rail 35mm
Terminals	type	M8 x 25
Tightening torque for terminals		
	min	Nm 15
	max	Nm 22
	min	Ibin 132
	max	Ibin 194
Conductor section		
	IEC min	mm <sup>2</sup> 70
	IEC max	mm <sup>2</sup> 185
	AWG/kcmil min	00
	AWG/kcmil max	kcmil 400

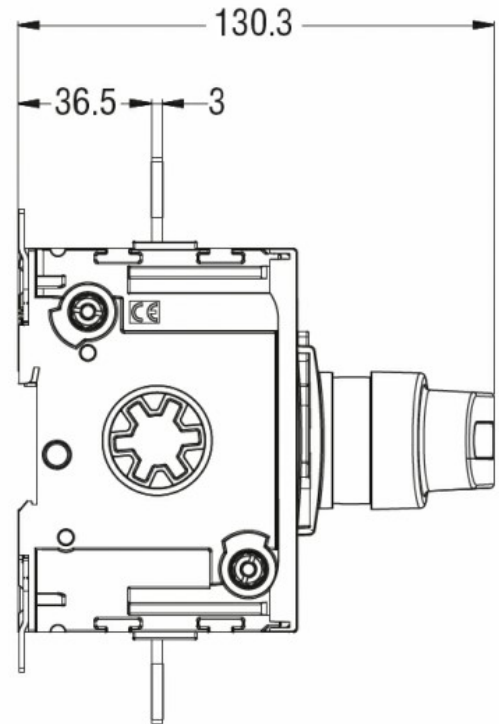
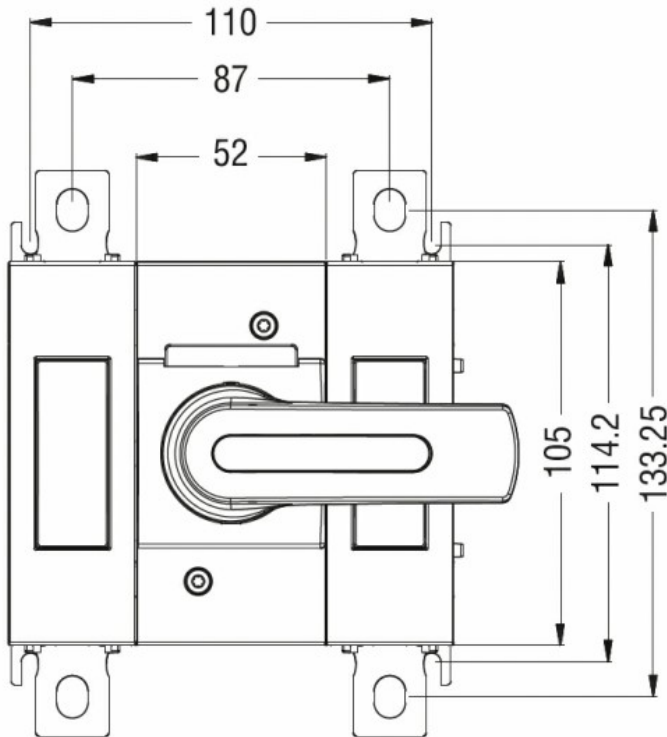
### Ambient conditions

Operating temperature		
	min	$^{\circ}\text{C}$ -25
	max	$^{\circ}\text{C}$ +55
Storage temperature		
	min	$^{\circ}\text{C}$ -40
	max	$^{\circ}\text{C}$ +70
Max altitude		m 3000

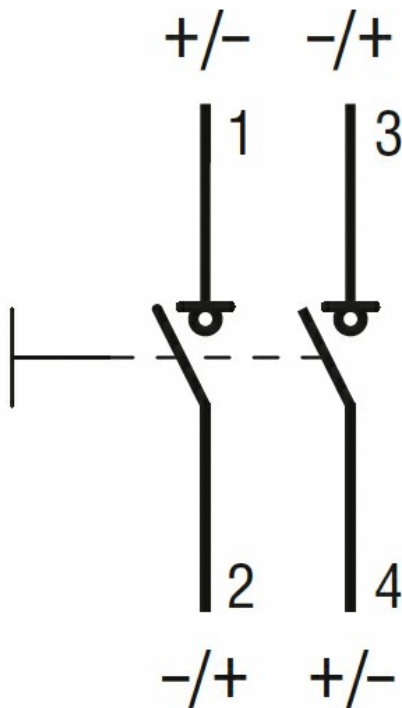
### Resistance & Protection

Pollution degree	3
------------------	---

### Dimensions



### Wiring diagrams



### Certifications and compliance

#### Compliance

IEC/EN/BS 60947-1

IEC/EN/BS 60947-3

#### Certifications

CE

### ETIM classification

ETIM 8.0

EC000216 -  
Switch  
disconnecter