



### Contact characteristics

IEC Conventional free air thermal current $I_{th} \leq 40^\circ\text{C}$	A	630
Rated insulation voltage $U_i$ IEC/EN	V	1000
Rated impulse withstand voltage $U_{imp}$	kV	12
Operating current $I_e$		
AC-31B		
400V	A	630
500V	A	630
690V	A	630
AC-32B		
400V	A	630
500V	A	500
690V	A	500
AC-33B		
400V	A	630
500V	A	500
690V	A	500
Power dissipation per pole max	W	41
Rated operational power AC23A		
400V	kW	355
690V	kW	500
Reactive power for control of capacitors at		
Rated short time current (1s) $I_{cw}$ (rms)	kA	12.5
Rated short time current (0.3s) $I_{cw}$ (rms)	kA	20
Conditional short-circuit current (rms)	kA	80
Short-circuit protection with fuse	Class/A	gG/630
Making capacity AC23A 400V	A	6300
Breaking capacity AC23A 400V	A	5040
Mechanical life	cycles	10000

### Mechanical features

Operating position	normal allowable	Vertical plan Any
Fixing		Screw
Terminals	type	M10 x 25
Tightening torque for terminals		
	min	Nm 30
	max	Nm 37
	min	lbin 265
	max	lbin 327
Conductor section		
	IEC min	mm <sup>2</sup> 1X182
	IEC max	mm <sup>2</sup> 2X185
	AWG/kcmil min	1X400

AWG/kcmil max    kcmil    2X350

**Ambient conditions**

Operating temperature

min	°C	-25
max	°C	+55

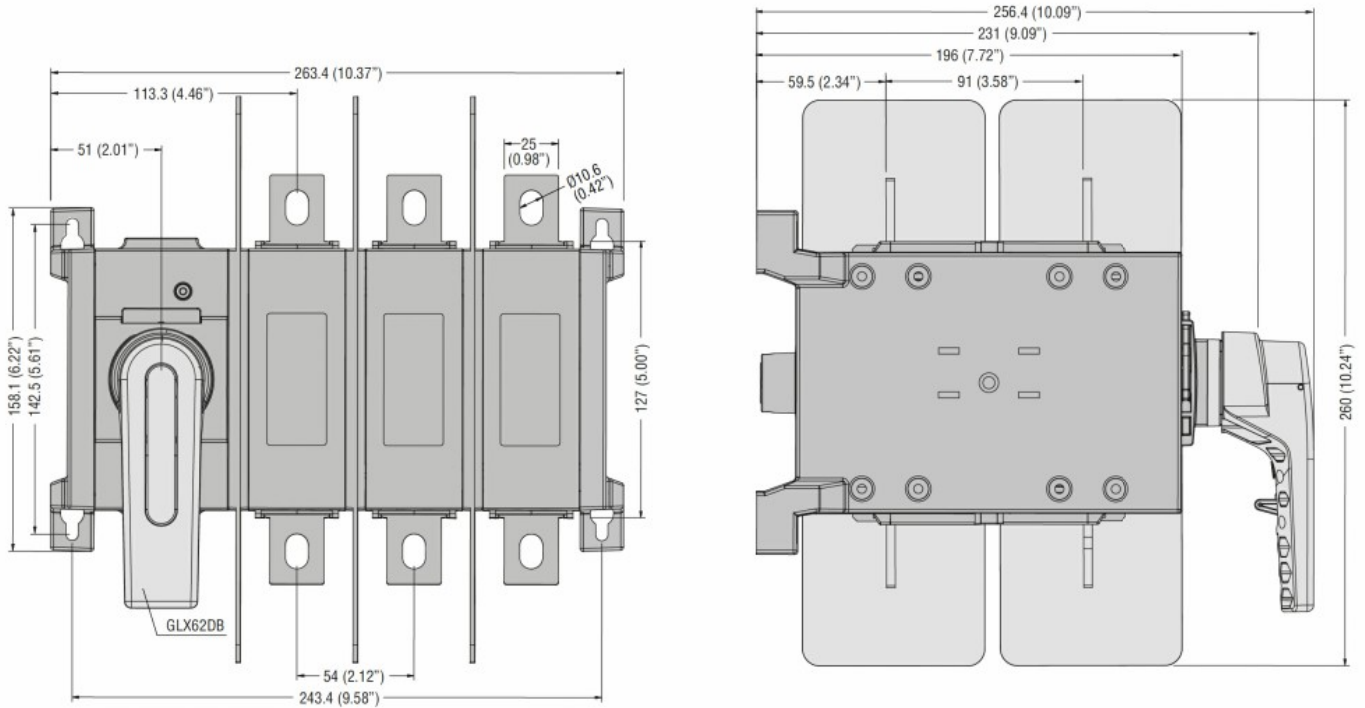
Storage temperature

min	°C	-40
max	°C	+70

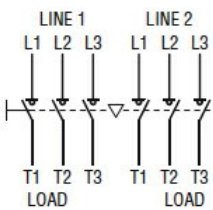
Max altitude

m    3000

**Dimensions**



**Wiring diagrams**



**Certifications and compliance**

Compliance

- IEC/EN 60947-1
- IEC/EN 60947-3
- IEC/EN 60947-6-1

**ETIM classification**

ETIM 8.0

EC000216 -  
Switch  
disconnecter