



### Contact characteristics

IEC Conventional free air thermal current $I_{th} \leq 40^\circ\text{C}$	A	125
Rated insulation voltage $U_i$ IEC/EN	V	1000
Rated impulse withstand voltage $U_{imp}$	kV	8
Operating current $I_e$		
AC21A	400V	A 125
	500V	A 125
AC22A	400V	A 125
	500V	A 125
AC23A	400V	A 125
	500V	A 125
Power dissipation per pole max	W	9
Reactive power for control of capacitors at		
Conditional short-circuit current (rms)	kA	100
Making capacity AC23A 400V	A	1250
Breaking capacity AC23A 400V	A	1000
Mechanical life	cycles	8000

### Mechanical features

Fixing	Screw		
Terminals			
	type	Lug terminals or bars	
	width	mm	25
	height	mm	3
	screw	M8	
Tightening torque for terminals			
	max	Nm	6
	max	lbin	53
Conductor section			
Weight		g	1300

### UL technical data

Operating voltage max	V	500
-----------------------	---	-----

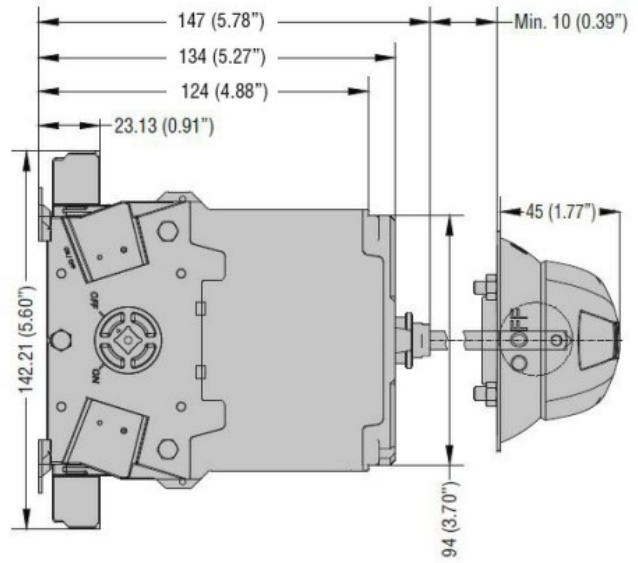
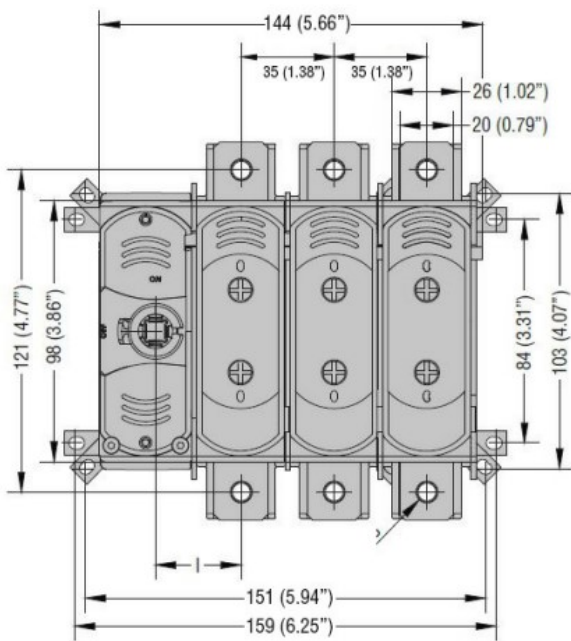
### Ambient conditions

Operating temperature			
	min	$^\circ\text{C}$	-25
	max	$^\circ\text{C}$	55
Storage temperature			
	min	$^\circ\text{C}$	-40
	max	$^\circ\text{C}$	70
Max altitude		m	3000

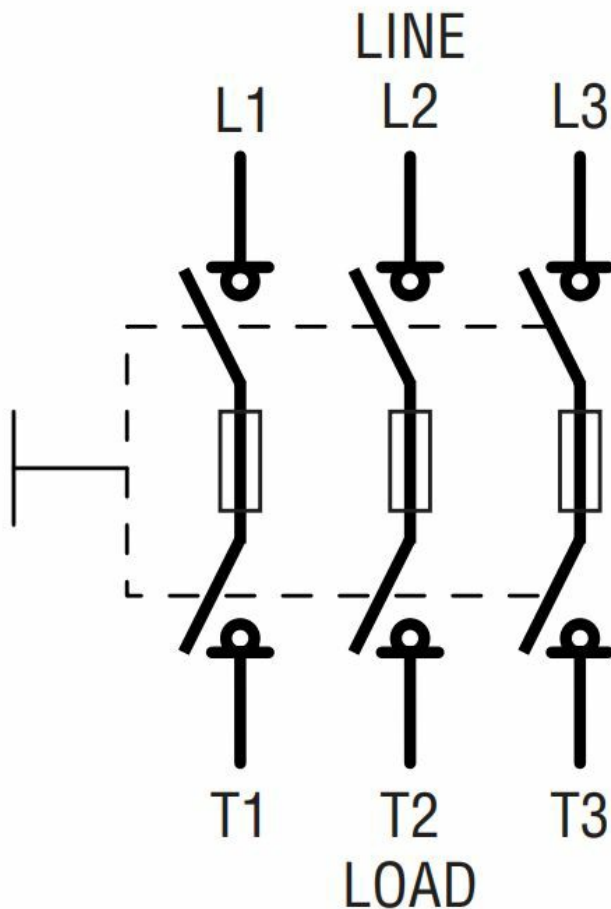
### Resistance & Protection

Pollution degree		3
------------------	--	---

**Dimensions**



**Wiring diagrams**



**Certifications and compliance**

**Compliance**

IEC/EN/BS 60947-1

IEC/EN/BS 60947-3

**Certifications**

CE  
UKCA

---

ETIM classification

ETIM 8.0

EC000216 -  
Switch  
disconnecter