



### Contact characteristics

IEC Conventional free air thermal current $I_{th} \leq 40^\circ\text{C}$	A	63
Rated insulation voltage $U_i$ IEC/EN	V	1000
Rated impulse withstand voltage $U_{imp}$	kV	8
Operating current $I_e$		
AC21A	400V	A 63
	500V	A 63
AC22A	400V	A 63
	500V	A 63
AC23A	400V	A 63
	500V	A 50
Power dissipation per pole max	W	5.8
Reactive power for control of capacitors at		
Conditional short-circuit current (rms)	kA	100
Making capacity AC23A 400V	A	630
Breaking capacity AC23A 400V	A	504
Mechanical life	cycles	10000

### Mechanical features

Fixing		Screw
Terminals	type	Hex terminals
Tightening torque for terminals	max	Nm 2
	max	lbin 17.7
Conductor section		
Weight	g	850

### UL technical data

Operating voltage max	V	500
-----------------------	---	-----

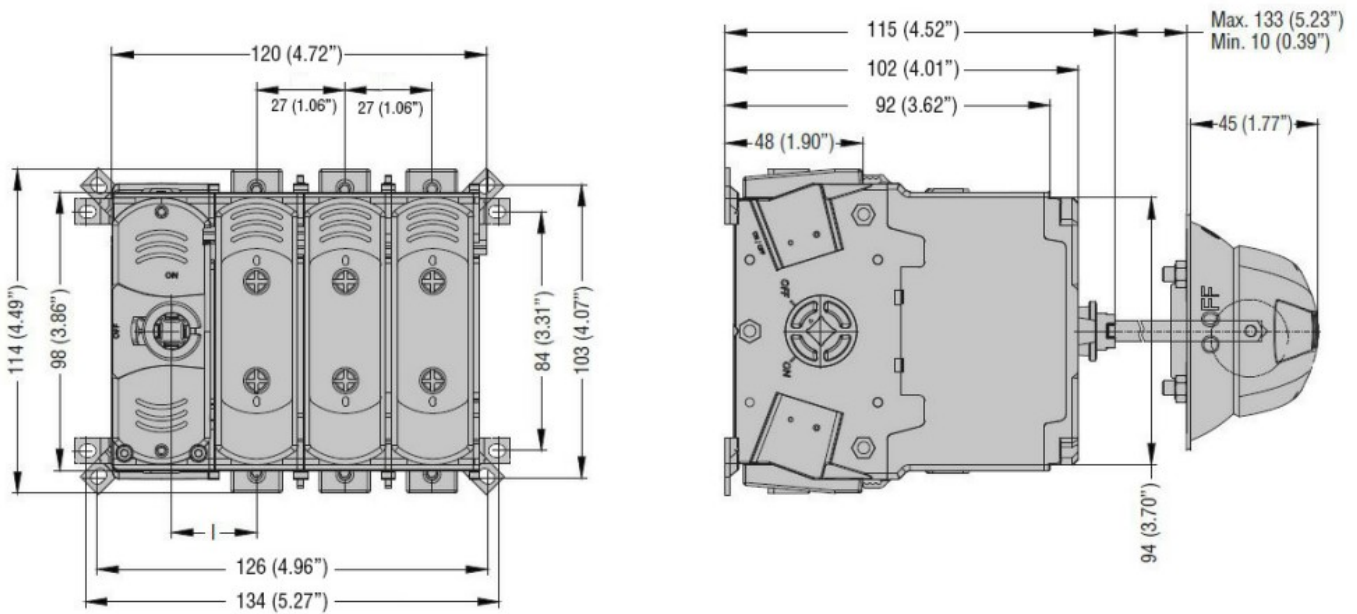
### Ambient conditions

Operating temperature	min	$^\circ\text{C}$	-25
	max	$^\circ\text{C}$	55
Storage temperature	min	$^\circ\text{C}$	-40
	max	$^\circ\text{C}$	70
Max altitude	m		3000

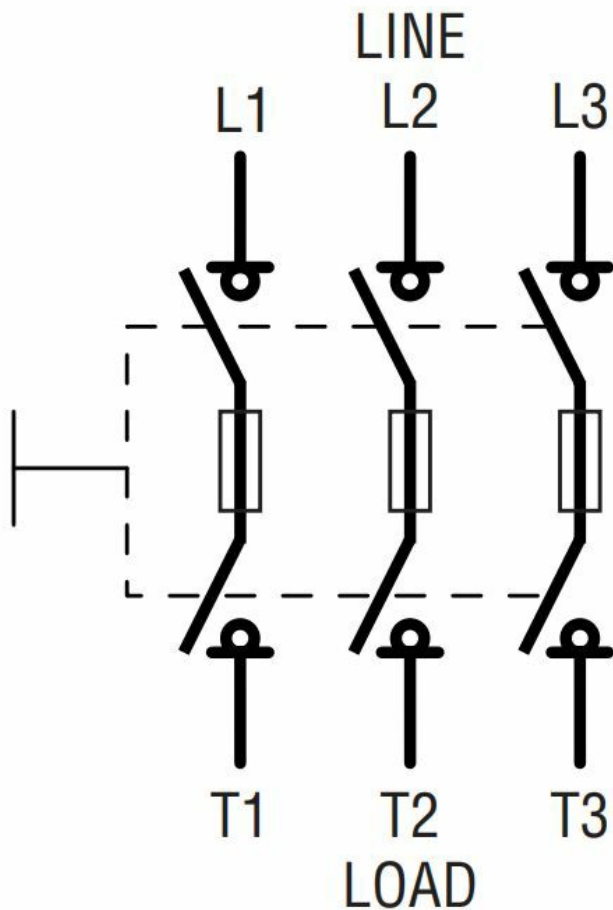
### Resistance & Protection

Frontal IP degree	IP20
Terminals IP degree	IP20
Pollution degree	3

### Dimensions



Wiring diagrams



Certifications and compliance

Compliance

IEC/EN/BS 60947-1  
 IEC/EN/BS 60947-3

Certifications

CE  
 UKCA

ETIM classification

ETIM 8.0

EC000216 -  
Switch  
disconnecter