



Contact characteristics

IEC Conventional free air thermal current $I_{th} \leq 40^\circ\text{C}$	A	50
Rated insulation voltage U_i IEC/EN	V	1000
Rated impulse withstand voltage U_{imp}	kV	8
Operating current I_e		
AC21A		
400V	A	50
500V	A	50
AC22A		
400V	A	50
500V	A	50
AC23A		
400V	A	50
500V	A	50
Power dissipation per pole max	W	4.8
Reactive power for control of capacitors at		
Conditional short-circuit current (rms)	kA	100
Making capacity AC23A 400V	A	500
Breaking capacity AC23A 400V	A	400
Mechanical life	cycles	10000

Mechanical features

Fixing		Screw
Terminals	type	Hex terminals
Tightening torque for terminals	max	Nm 2
	max	lbin 17.7
Conductor section		
Weight	g	850

UL technical data

Operating voltage max	V	500
-----------------------	---	-----

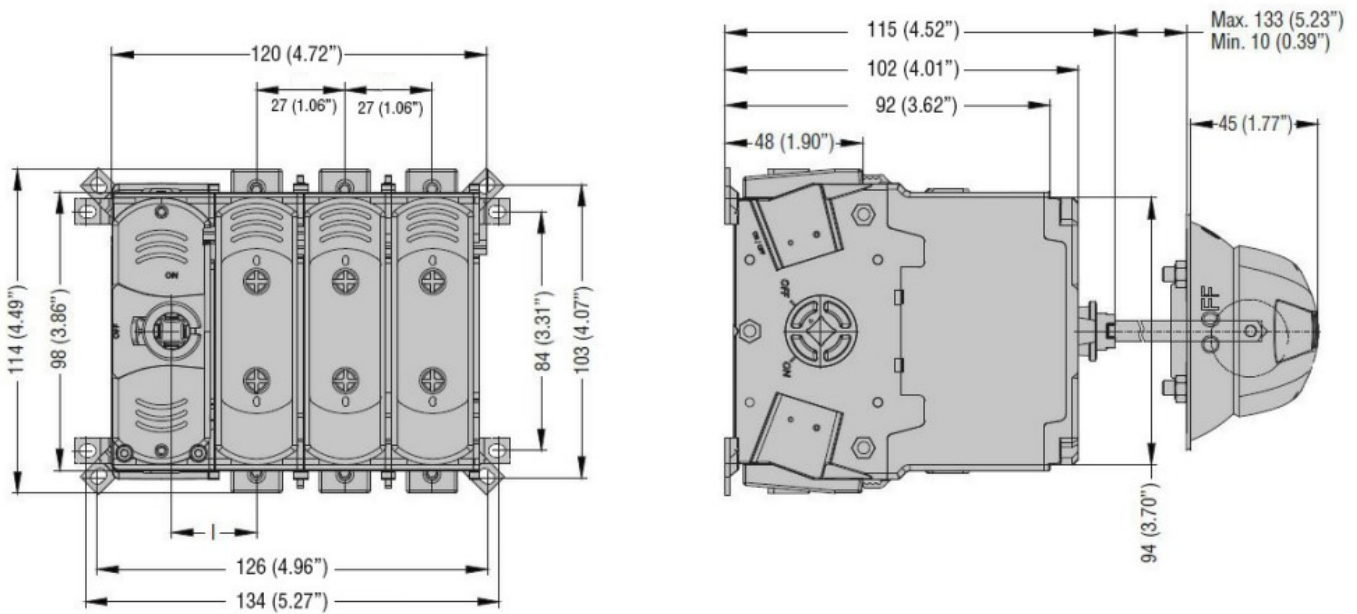
Ambient conditions

Operating temperature	min	$^\circ\text{C}$	-25
	max	$^\circ\text{C}$	55
Storage temperature	min	$^\circ\text{C}$	-40
	max	$^\circ\text{C}$	70
Max altitude	m		3000

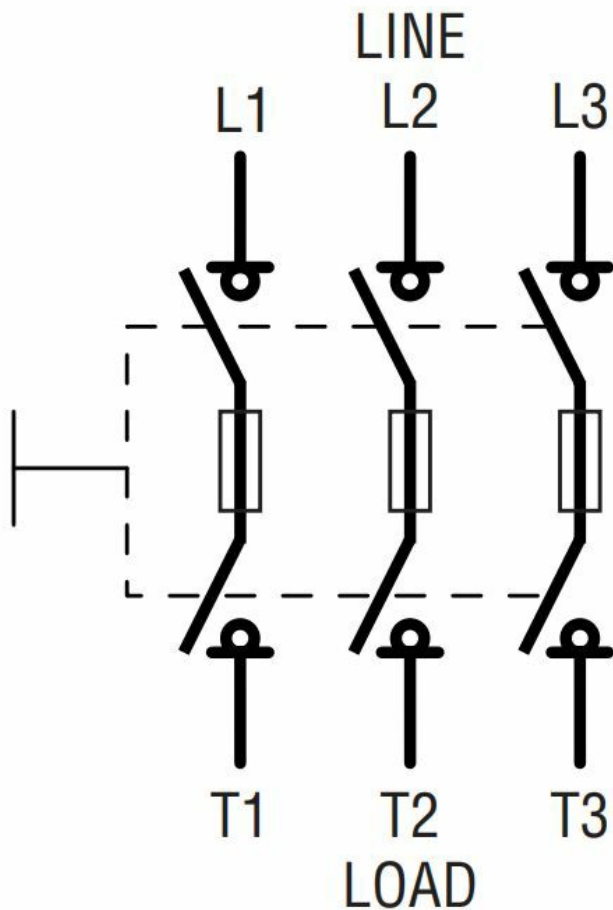
Resistance & Protection

Frontal IP degree	IP20
Terminals IP degree	IP20
Pollution degree	3

Dimensions



Wiring diagrams



Certifications and compliance

Compliance

IEC/EN/BS 60947-1
 IEC/EN/BS 60947-3

Certifications

CE
 UKCA

ETIM classification

ETIM 8.0

EC000216 -
Switch
disconnecter