



Contact characteristics

IEC Conventional free air thermal current $I_{th} \leq 40^{\circ}\text{C}$	A	800
Rated insulation voltage U_i IEC/EN	V	1000
Rated impulse withstand voltage U_{imp}	kV	12
Operating current I_e		
AC21A	400V	A 800
	500V	A 800
	690V	A 630
AC22A	400V	A 800
	500V	A 800
	690V	A 630
AC23A	400V	A 630
	500V	A 630
	690V	A 400
Power dissipation per pole max	W	57
Rated operational power AC23A	400V	kW 355
	690V	kW 370
Reactive power for control of capacitors at		
Conditional short-circuit current (rms)	kA	100
Specific let through energy I^2t	kA ² s	4.6
Making capacity AC23A 400V	A	6300
Breaking capacity AC23A 400V	A	5100
Mechanical life	cycles	5000
Electrical life AC21A	cycles	500 (AC23A 400V)

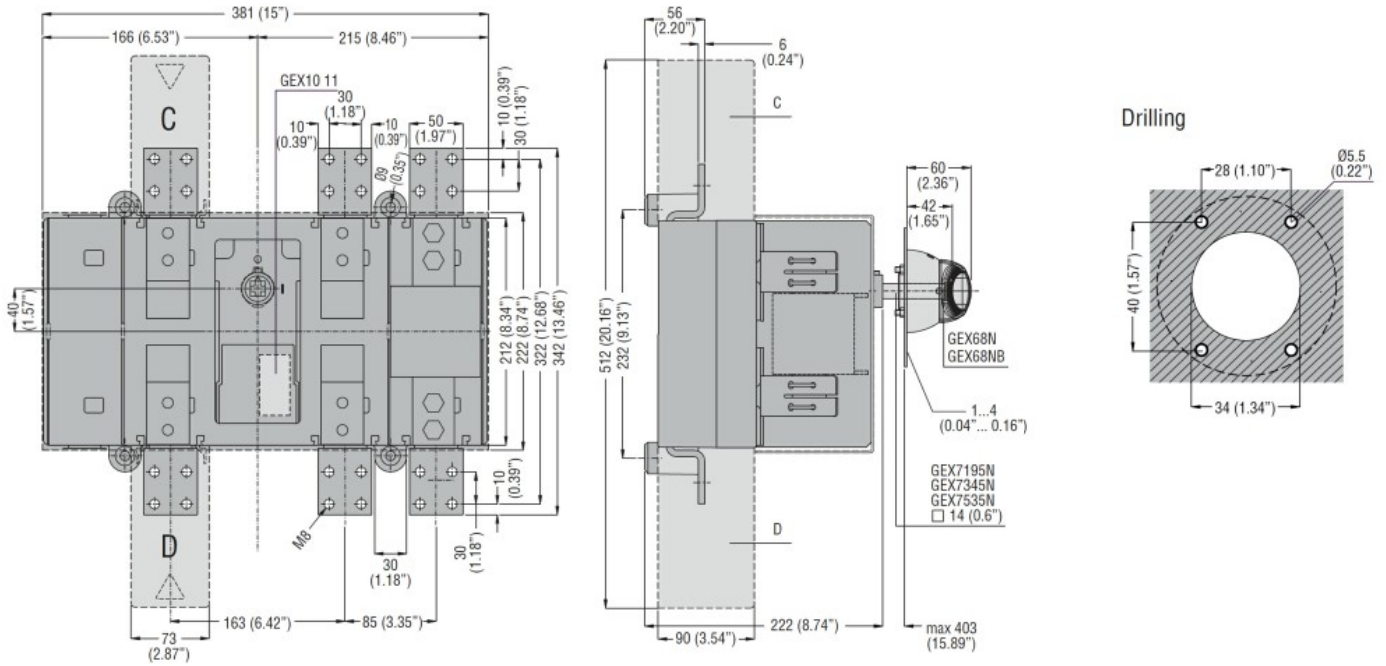
Mechanical features

Operating position	normal allowable	Vertical plan Any
Fixing		Screw
Terminals	type screw	Bar 4x M8
Tightening torque for terminals	max	Nm 13
	max	lbin 10
Conductor section		
Bar dimensions max		50x6

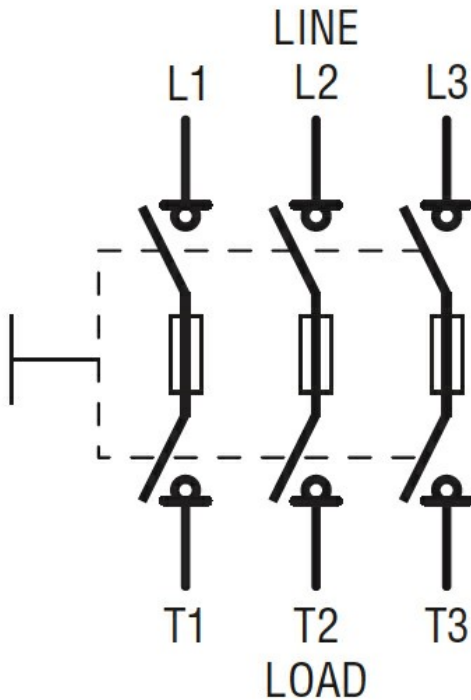
Ambient conditions

Operating temperature	min	$^{\circ}\text{C}$	-25
-----------------------	-----	--------------------	-----

Storage temperature	max	°C	55
	min	°C	-40
Max altitude	max	°C	70
		m	3000
Resistance & Protection			
Frontal IP degree			IP20
Pollution degree			3
Dimensions			



Wiring diagrams



Certifications and compliance

Compliance

IEC/EN 60947-1

IEC/EN 60947-3

Certifications

EAC

ETIM classification

ETIM 8.0

EC000216 -
Switch
disconnecter