



Contact characteristics

IEC Conventional free air thermal current $I_{th} \leq 40^\circ\text{C}$	A	800
Rated insulation voltage U_i IEC/EN	V	1000
Rated impulse withstand voltage U_{imp}	kV	12
Operating current I_e		
AC21A		
	400V	A 800
	500V	A 800
	690V	A 800
AC22A		
	400V	A 800
	500V	A 800
	690V	A 500
AC23A		
	400V	A 800
	500V	A 500
	690V	A 315
Power dissipation per pole max	W	56
Rated operational power AC23A		
	400V	kW 443
	690V	kW 300
Reactive power for control of capacitors at		
Rated short time current (1s) I_{cw} (rms)	kA	16
Conditional short-circuit current (rms)	kA	100
Short-circuit protection with fuse	Class/A	gG800
Making capacity AC23A 400V	A	6300
Breaking capacity AC23A 400V	A	5000
Mechanical life	cycles	10000
Electrical life AC21A	cycles	500 (AC23A 400V)

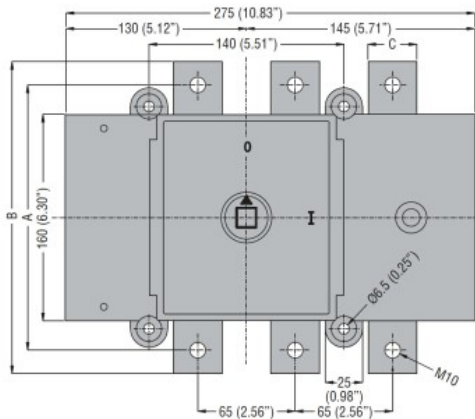
Mechanical features

Operating position	normal allowable	Vertical plan Any
Fixing		Screw
Terminals	type screw	Bar M10
Tightening torque for terminals	max	Ibin 10
Conductor section		
Bar dimensions max		30x5

Ambient conditions

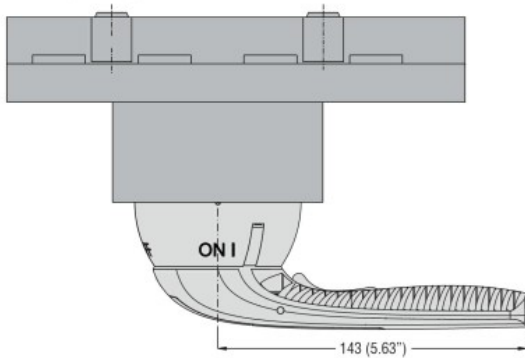
Operating temperature	min	$^\circ\text{C}$	-25
-----------------------	-----	------------------	-----

	max	°C	55
Storage temperature	min	°C	-40
	max	°C	70
Max altitude	m		3000
Resistance & Protection			
Frontal IP degree			IP20
Pollution degree			3
Dimensions			

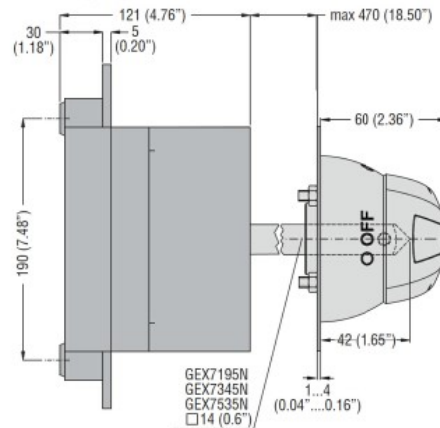


Type	A	B	C
GE0500	190 (7.48")	220 (8.66")	25 (0.98")
GE0630	205 (8.07")	235 (9.25")	30 (1.18")
GE0800	205 (8.07")	235 (9.25")	30 (1.18")

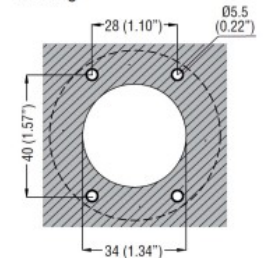
Direct operating version with handle GEX67ND



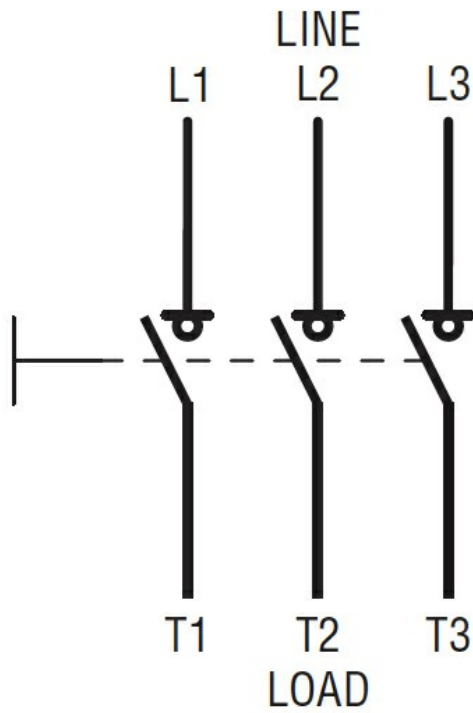
Door coupling version with handle GEX67N - GEX67NB



Drilling



Wiring diagrams



Certifications and compliance

Compliance

IEC/EN 60947-1

IEC/EN 60947-3

Certifications

EAC

ETIM classification

ETIM 8.0

EC000216 -
 Switch
 disconnecter