



Contact characteristics

IEC Conventional free air thermal current $I_{th} \leq 40^\circ\text{C}$	A	630
Rated insulation voltage U_i IEC/EN	V	1000
Rated impulse withstand voltage U_{imp}	kV	12
Operating current I_e		
AC21A	400V	A 630
	500V	A 630
	690V	A 630
AC22A	400V	A 630
	500V	A 630
	690V	A 500
AC23A	400V	A 500
	500V	A 315
Power dissipation per pole max	W	44.5
Rated operational power AC23A	400V	kW 200
	690V	kW 216
Reactive power for control of capacitors at		
Rated short time current (1s) I_{cw} (rms)	kA	13
Conditional short-circuit current (rms)	kA	100
Short-circuit protection with fuse	Class/A	gG630
Making capacity AC23A 400V	A	6300
Mechanical life	cycles	10000
Electrical life AC21A	cycles	1000 (AC23A 400V)

Mechanical features

Operating position	normal allowable	Vertical plan Any
Fixing		Screw
Terminals	type screw	Bar M12
Tightening torque for terminals	max	Nm 24
	max	lbin 18
Conductor section		
Bar dimensions max		40x5

Ambient conditions

Operating temperature	min	$^\circ\text{C}$	-25
	max	$^\circ\text{C}$	55

Storage temperature

min	°C	-40
max	°C	70

Max altitude

m	3000
---	------

Resistance & Protection

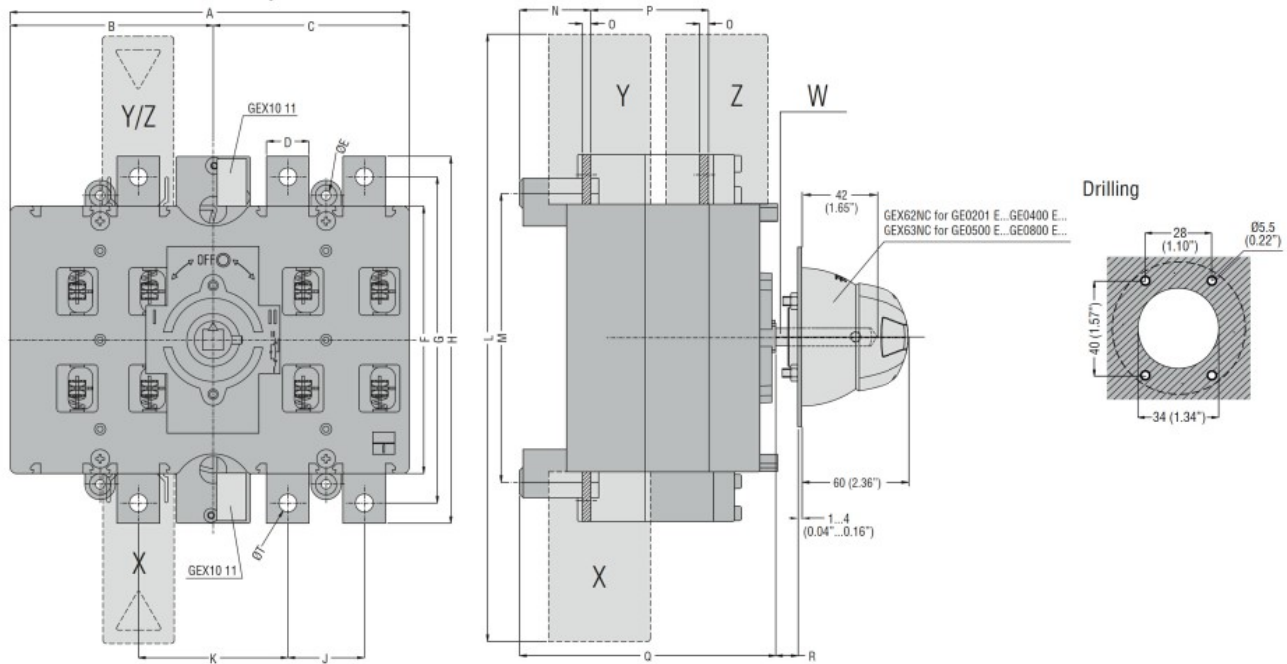
Frontal IP degree

IP20

Pollution degree

3

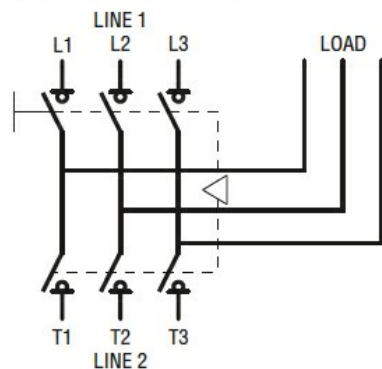
Dimensions



TYPE	A	B	C	D	ØE	F	G	H	J	K	L	M	N	O	P	Q	R Max	S	ØT	U	V	Shaft extension W	Terminal covers (N° of pcs/set)		
																							X (line 1)	Y (line 2)	Z (load)
GE0201 E GE0250 E GE0315 E GE0400 E	235	119.5	115.5	25	5.5	157	192	216	45	88	357	170	42	3	67	151	437	143	M10	133	142	GEX7227N GEX7375N GEX7536N □ 10 (0.6")	GEX82 12 (3)	GEX82 11 (3)	GEX83 12 (3)
GE0201 ET4 GE0250 ET4 GE0315 ET4 GE0400 ET4	(9.25")	(4.70")	(4.55")	(0.98")	(0.22")	(6.18")	(7.56")	(8.50")	(1.77")	(3.46")	(14.05")	(6.69")	(1.65")	(0.12)	(2.64")	(5.94")	(17.2")	(5.63")		(5.24")	(5.59")		GEX82 13 (4)	GEX82 13 (4)	GEX83 12 (4)
GE0500 E GE0630 E GE0800 E	321	162	159	40	7	232	282	312	65	121	482	247	46	5	87	180	417	176	M12	186	171	GEX7195N GEX7345N GEX7535N □ 10 (0.6")	GEX82 22 (3)	GEX82 21 (3)	GEX83 21 (3)
GE0500 ET4 GE0630 ET4 GE0800 ET4	(12.63")	(6.38")	(6.26")	(1.57")	(0.27")	(9.13")	(11.10")	(12.28")	(2.56")	(4.73")	(18.98")	(9.72")	(1.81")	(0.20")	(3.42")	(7.09")	(16.42")	(6.93")	M12	(7.32")	(6.73")		GEX82 23 (4)	GEX82 23 (4)	GEX83 22 (4)

Wiring diagrams

GE0201 E - GE1600 E



Certifications and compliance

Compliance

IEC/EN 60947-1
IEC/EN 60947-3

Certifications

EAC

ETIM classification

ETIM 8.0

EC000216 -
Switch
disconnector