



Contact characteristics

IEC Conventional free air thermal current $I_{th} \leq 40^\circ\text{C}$	A	630
Rated insulation voltage U_i IEC/EN	V	1000
Rated impulse withstand voltage U_{imp}	kV	12
Operating current I_e	4 poles in series DC21A	
	48V	A 630
	110V	A 630
	220V	A 630
	400V	A 630
	440V	A 630
	500V	A 630
	600V	A 630
	750V	A 630
	800V	A 600
	850V	A 600
	900V	A 600
	1000V	A 500
Reactive power for control of capacitors at		
Rated short time current (1s) I_{cw} (rms)	kA	25000
Mechanical life	cycles	20000

Mechanical features

Operating position	normal allowable	Vertical plan Any
Fixing		Screw
Terminals	type screw	Bar M10
Tightening torque for terminals	max max	Nm lbin 24 212
Conductor section		
Bar dimensions max		30x5

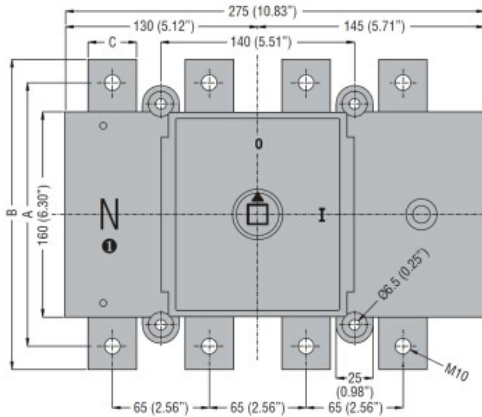
Ambient conditions

Operating temperature	min max	$^\circ\text{C}$ $^\circ\text{C}$	-25 55
Storage temperature	min max	$^\circ\text{C}$ $^\circ\text{C}$	-40 70
Max altitude		m	3000

Resistance & Protection

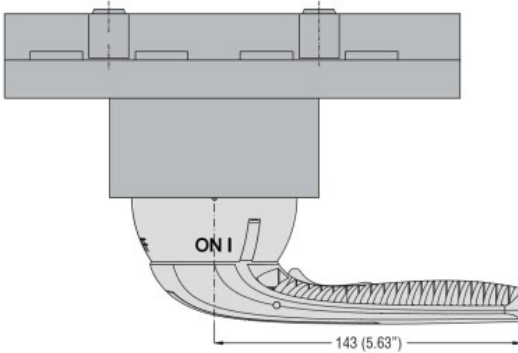
Frontal IP degree	IP20
Pollution degree	3

Dimensions

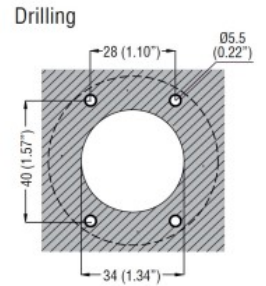
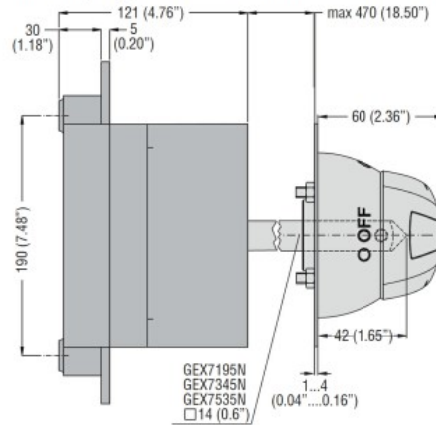


Type	A	B	C
GE0500 T4	190 (7.48")	220 (8.66")	25 (0.98")
GE0630 DT4	205 (8.07")	235 (9.25")	30 (1.18")
GE0630 T4	205 (8.07")	235 (9.25")	30 (1.18")
GE0800 DT4	205 (8.07")	235 (9.25")	30 (1.18")
GE0800 T4	205 (8.07")	235 (9.25")	30 (1.18")

Direct operating version with handle GEX67ND

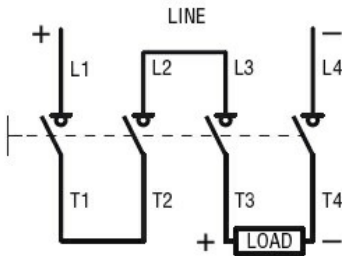


Door coupling version with handle GEX67N - GEX67NB

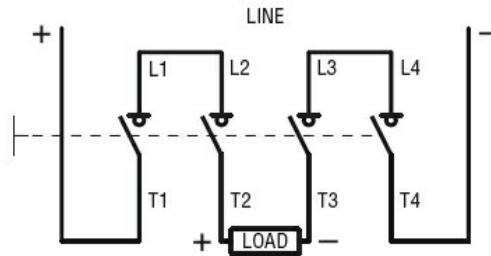


Wiring diagrams

One-line control
4 poles in series



4 (2+2) poles in series



Certifications and compliance

Compliance

IEC/EN 60947-1
IEC/EN 60947-3

Certifications

EAC

ETIM classification

ETIM 8.0

EC000216 -
Switch
disconnecter