



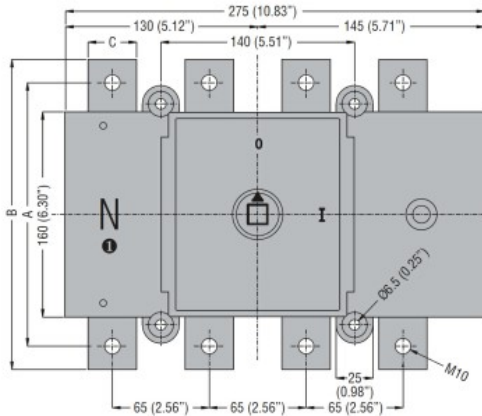
Contact characteristics

IEC Conventional free air thermal current $I_{th} \leq 40^\circ\text{C}$	A	500
Rated insulation voltage U_i IEC/EN	V	1000
Rated impulse withstand voltage U_{imp}	kV	12
Operating current I_e		
AC21A	400V	A 500
	500V	A 500
	690V	A 500
AC22A	400V	A 500
	500V	A 500
	690V	A 400
AC23A	400V	A 500
	500V	A 400
	690V	A 250
Power dissipation per pole max	W	22
Rated operational power AC23A	400V	kW 220
	690V	kW 239
Reactive power for control of capacitors at		
Rated short time current (1s) I_{cw} (rms)	kA	16
Conditional short-circuit current (rms)	kA	100
Short-circuit protection with fuse	Class/A	gG500
Making capacity AC23A 400V	A	5000
Breaking capacity AC23A 400V	A	4000
Mechanical life	cycles	10000
Electrical life AC21A	cycles	1000 (AC23A 400V)

Mechanical features

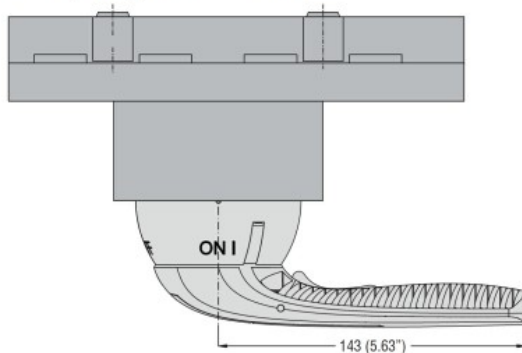
Operating position	normal allowable	Vertical plan Any
Fixing		Screw
Terminals	type screw	Bar M10
Tightening torque for terminals	max	Ibin 10
Conductor section		
Bar dimensions max		25x5
Operating temperature	min	$^\circ\text{C}$ -25

Storage temperature	max	°C	55
	min	°C	-40
Max altitude	max	°C	70
		m	3000
Resistance & Protection			
Frontal IP degree	IP20		
Pollution degree	3		
Dimensions			

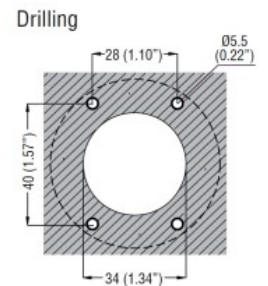
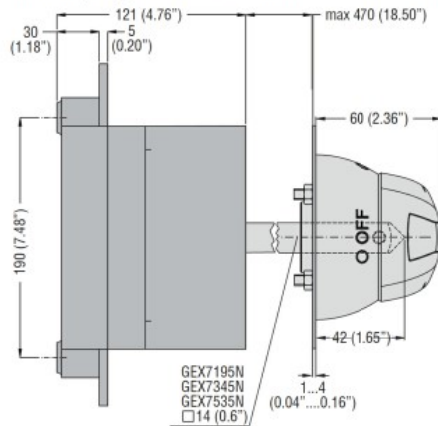


Type	A	B	C
GE0500 T4	190 (7.48")	220 (8.66")	25 (0.98")
GE0630 DT4	205 (8.07")	235 (9.25")	30 (1.18")
GE0630 T4	205 (8.07")	235 (9.25")	30 (1.18")
GE0800 DT4	205 (8.07")	235 (9.25")	30 (1.18")
GE0800 T4	205 (8.07")	235 (9.25")	30 (1.18")

Direct operating version with handle GEX67ND

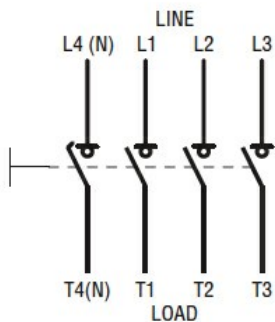


Door coupling version with handle GEX67N - GEX67NB



Wiring diagrams

Four-pole disconnectors
GE0160 T4 - GE1600 T4
GE0160 T4P



Certifications and compliance

Compliance

IEC/EN 60947-1
IEC/EN 60947-3

Certifications

EAC

ETIM classification

ETIM 8.0

EC000216 -
Switch
disconnector