



Contact characteristics

IEC Conventional free air thermal current $I_{th} \leq 40^\circ\text{C}$	A	250
Rated insulation voltage U_i IEC/EN	V	1000
Rated impulse withstand voltage U_{imp}	kV	8
Operating current I_e		
AC21A		
	400V	A 250
	500V	A 250
	690V	A 200
AC22A		
	400V	A 250
	500V	A 250
	690V	A 160
AC23A		
	400V	A 250
	500V	A 200
	690V	A 160
Power dissipation per pole max	W	2.5
Rated operational power AC23A		
	400V	kW 138
	690V	kW 153
Reactive power for control of capacitors at		
Rated short time current (1s) I_{cw} (rms)	kA	12
Conditional short-circuit current (rms)	kA	100
Short-circuit protection with fuse	Class/A	gG250
Making capacity AC23A 400V	A	2500
Breaking capacity AC23A 400V	A	2000
Mechanical life	cycles	20000
Electrical life AC21A	cycles	1000 (AC23A 400V)

Mechanical features

Operating position	normal allowable	Vertical plan Any
Fixing		Screw
Terminals	type screw	Bar M10
Tightening torque for terminals	max	Nm 18
	max	lbin 10
Conductor section		
Bar dimensions max		25x4

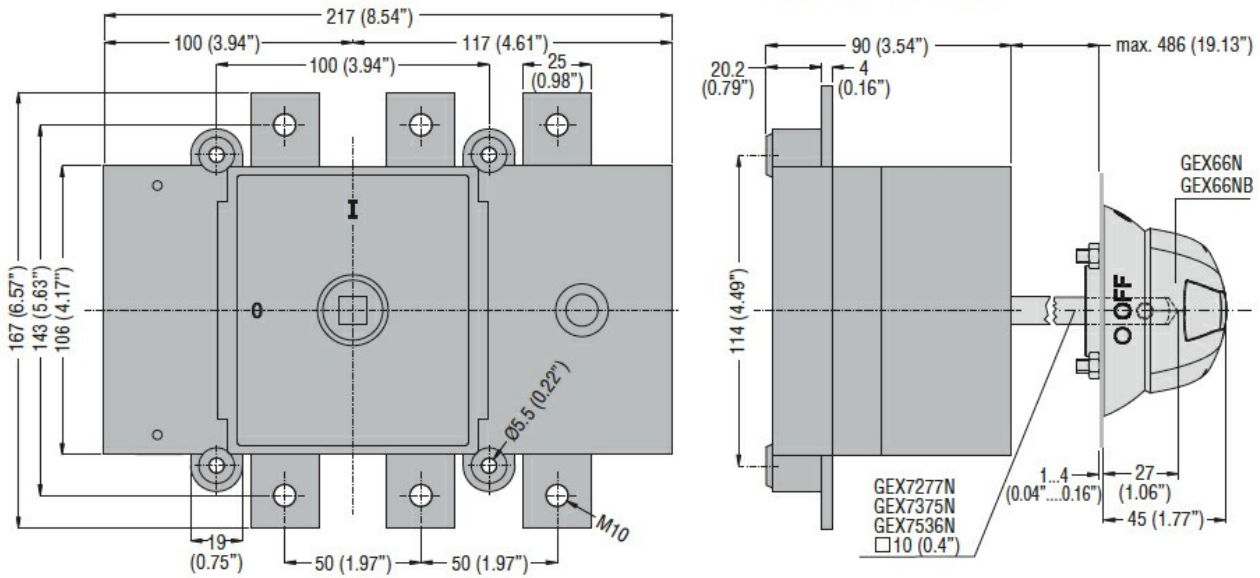
Ambient conditions

Operating temperature

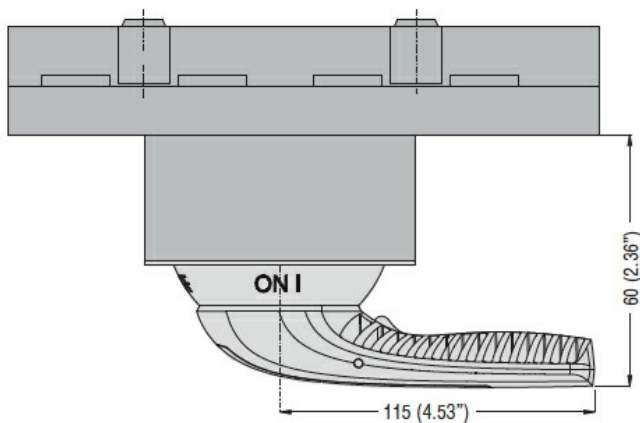
	min	°C	-25
	max	°C	55
Storage temperature			
	min	°C	-40
	max	°C	70
Max altitude		m	3000
Resistance & Protection			
Frontal IP degree			IP20
Pollution degree			3

Dimensions

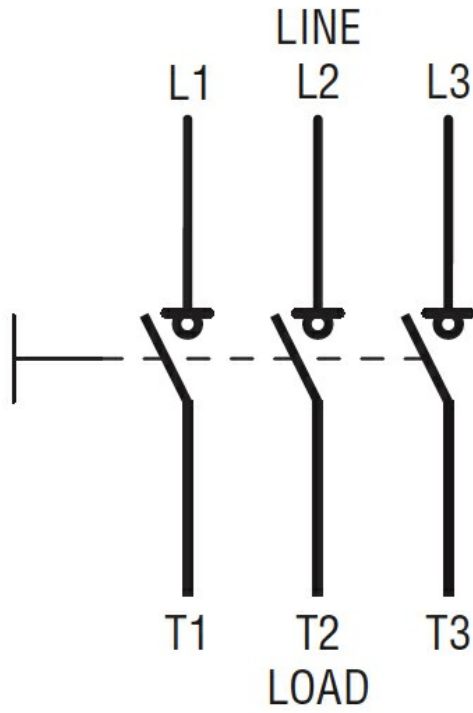
Door coupling version with handle
GEX66N - GEX66NB



Direct operating version with handle
GEX66ND



Wiring diagrams



Certifications and compliance

Compliance

IEC/EN 60947-1

IEC/EN 60947-3

Certifications

EAC

ETIM classification

ETIM 8.0

EC000216 -
 Switch
 disconnecter