



### Contact characteristics

IEC Conventional free air thermal current $I_{th} \leq 40^\circ\text{C}$	A	200
Rated insulation voltage $U_i$ IEC/EN	V	1000
Rated impulse withstand voltage $U_{imp}$	kV	8
Operating current $I_e$		
AC21A	400V	A 200
	500V	A 200
	690V	A 200
AC22A	400V	A 200
	500V	A 200
	690V	A 160
AC23A	400V	A 160
	500V	A 125
Power dissipation per pole max	W	8
Rated operational power AC23A	400V	kW 100
	690V	kW 69
Reactive power for control of capacitors at		
Rated short time current (1s) $I_{cw}$ (rms)	kA	8
Conditional short-circuit current (rms)	kA	100
Short-circuit protection with fuse	Class/A	gG200
Making capacity AC23A 400V	A	3150
Mechanical life	cycles	10000
Electrical life AC21A	cycles	1000 (AC23A 400V)

### Mechanical features

Operating position	normal allowable	Vertical plan Any
Fixing		Screw
Terminals	type screw	Bar M10
Tightening torque for terminals	max	Nm 24
	max	lbin 18
Conductor section		
Bar dimensions max		25x3

### Ambient conditions

Operating temperature	min	$^\circ\text{C}$	-25
	max	$^\circ\text{C}$	55

Storage temperature

min	°C	-40
max	°C	70

Max altitude

m	3000
---	------

Resistance & Protection

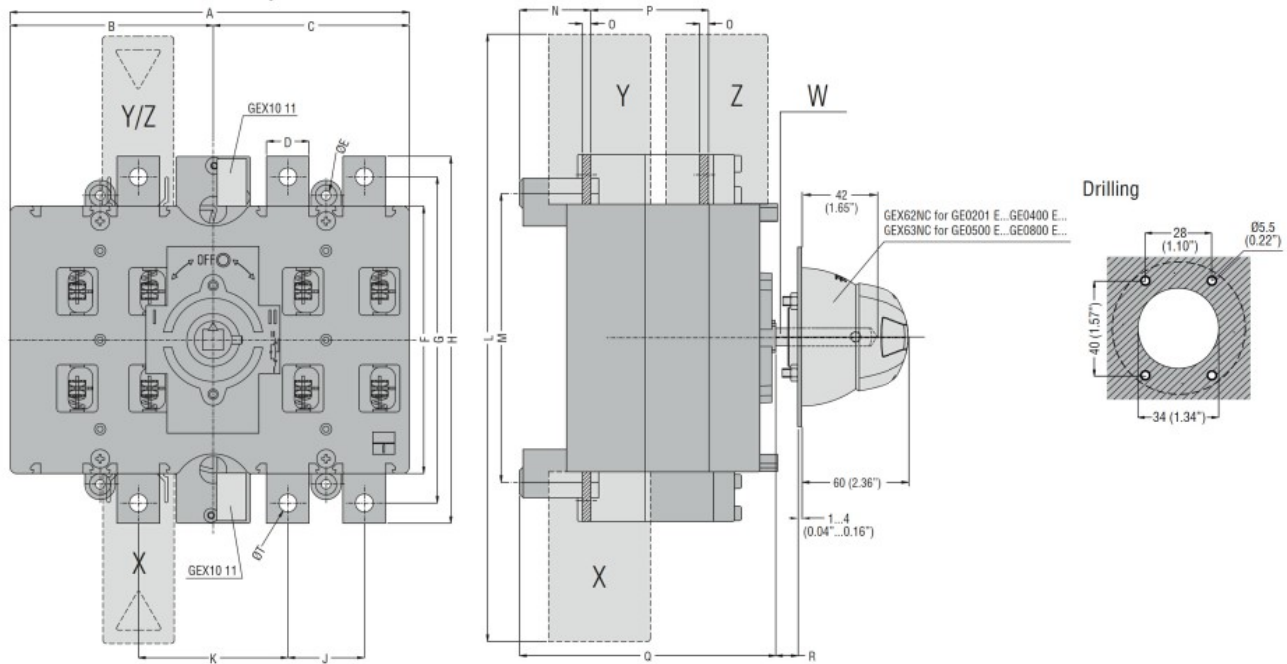
Frontal IP degree

IP20

Pollution degree

3

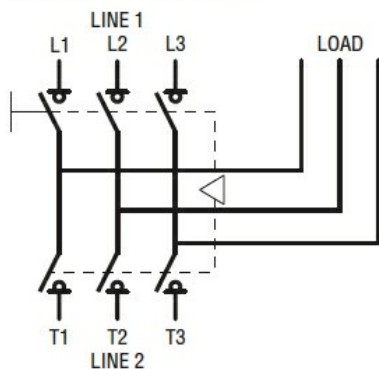
Dimensions



TYPE	A	B	C	D	ØE	F	G	H	J	K	L	M	N	O	P	Q	R Max	S	ØT	U	V	Shaft extension W	Terminal covers (N° of pcs/set)		
																							X (line 1)	Y (line 2)	Z (load)
GE0201 E GE0250 E GE0315 E GE0400 E	235 (9.25")	119.5 (4.70")	115.5 (4.55")	25 (0.98")	5.5 (0.22")	157 (6.18")	192 (7.56")	216 (8.50")	45 (1.77")	88 (3.46")	357 (14.05")	170 (6.69")	42 (1.65")	3 (0.12")	67 (2.64")	151 (5.94")	437 (17.2")	143 (5.63")	M10	133 (5.24")	142 (5.59")	GEX7227N GEX7375N GEX7536N □ 10 (0.6")	GEX82 12 (3)	GEX82 11 (3)	GEX83 12 (3)
GE0201 ET4 GE0250 ET4 GE0315 ET4 GE0400 ET4																							GEX82 13 (4)	GEX82 13 (4)	GEX83 12 (4)
GE0500 E GE0630 E GE0800 E	321 (12.63")	162 (6.38")	159 (6.26")	40 (1.57")	7 (0.27")	232 (9.13")	282 (11.10")	312 (12.28")	65 (2.56")	121 (4.73")	482 (18.98")	247 (9.72")	46 (1.81")	5 (0.20")	87 (3.42")	180 (7.09")	417 (16.42")	176 (6.93")	M12	186 (7.32")	171 (6.73")	GEX7195N GEX7345N GEX7535N □ 10 (0.6")	GEX82 22 (3)	GEX82 21 (3)	GEX83 21 (3)
GE0500 ET4 GE0630 ET4 GE0800 ET4																							GEX82 23 (4)	GEX82 23 (4)	GEX83 22 (4)

Wiring diagrams

GE0201 E - GE1600 E



Certifications and compliance

Compliance

IEC/EN 60947-1  
IEC/EN 60947-3

---

Certifications

EAC

ETIM classification

ETIM 8.0

EC000216 -  
Switch  
disconnector