



Contact characteristics

IEC Conventional free air thermal current $I_{th} \leq 40^\circ\text{C}$	A	160
Rated insulation voltage U_i IEC/EN	V	800
Rated impulse withstand voltage U_{imp}	kV	8
Operating current I_e		
AC21A	400V	A 160
	500V	A 160
	690V	A 160
AC22A	400V	A 160
	500V	A 160
	690V	A 125
AC23A	400V	A 160
	500V	A 125
	690V	A 100
Power dissipation per pole max	W	12
Rated operational power AC23A	400V	kW 90
	690V	kW 90
Reactive power for control of capacitors at		
Conditional short-circuit current (rms)	kA	100
Specific let through energy I^2t	kA ² s	0.19
Making capacity AC23A 400V	A	1600
Breaking capacity AC23A 400V	A	1280
Mechanical life	cycles	10000
Electrical life AC21A	cycles	1000 (AC23A 400V)

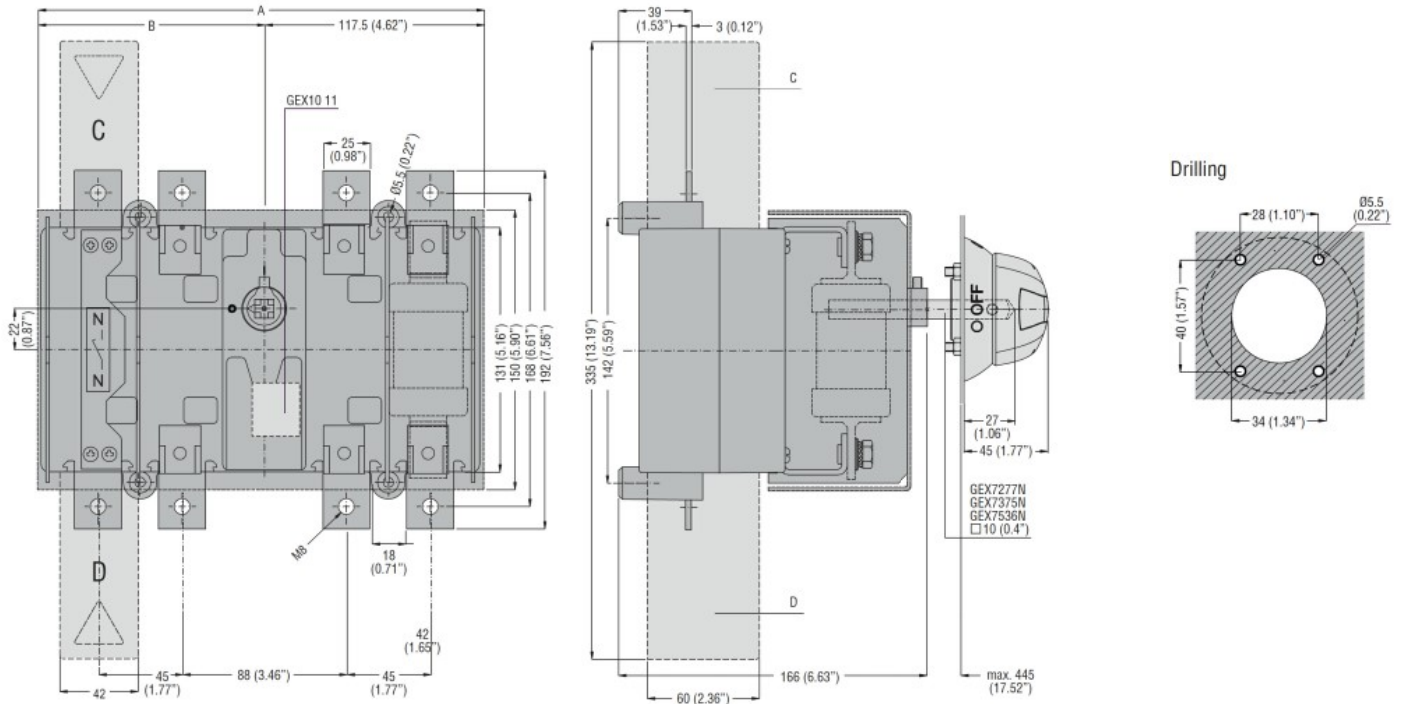
Mechanical features

Operating position	normal allowable	Vertical plan Any
Fixing		Screw
Terminals	type screw	Bar M8
Tightening torque for terminals	max	Nm 13
	max	lbin 10
Conductor section		
Bar dimensions max		20x3

Ambient conditions

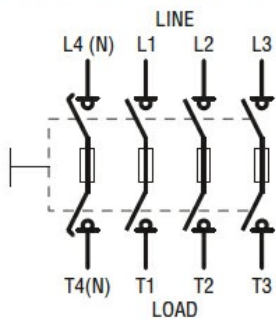
Operating temperature	min	°C	-25
-----------------------	-----	----	-----

	max	°C	55
Storage temperature	min	°C	-40
	max	°C	70
Max altitude		m	3000
Resistance & Protection			
Frontal IP degree			IP20
Pollution degree			3
Dimensions			



Wiring diagrams

Four-pole disconnectors with fuse holders
GE0050 FT4 - GE0125 FT4
GE0160 NT4 - GE0800 NT4
GE0160 BT4 - GE0800 BT4



Certifications and compliance

Compliance

IEC/EN 60947-1
 IEC/EN 60947-3

Certifications

EAC

ETIM classification

ETIM 8.0

EC000216 -
Switch
disconnector