



**Contact characteristics**

IEC Conventional free air thermal current $I_{th} \leq 40^{\circ}C$	A	63
Rated insulation voltage $U_i$ IEC/EN	V	1000
Rated impulse withstand voltage $U_{imp}$	kV	8
Operating current $I_e$		
AC21A	400V	A 63
	500V	A 63
	690V	A 63
AC22A	400V	A 63
	500V	A 45
	690V	A 45
AC23A	400V	A 45
	500V	A 25
	690V	A 25
Power dissipation per pole max	W	2.9
Rated operational power AC23A	400V	kW 22
	690V	kW 22
Reactive power for control of capacitors at		
Conditional short-circuit current (rms)	kA	10
Short-circuit protection with fuse	Class/A	gG63
Making capacity AC23A 400V	A	450
Breaking capacity AC23A 400V	A	360
Mechanical life	cycles	100000
Electrical life AC21A	cycles	15000

**Mechanical features**

Operating position	normal allowable	Vertical plan Any
Terminals	type	Pillar
	width mm	5.6
	height mm	6.5
	screw	M4
	tool	Phillips 2
Tightening torque for terminals	min Nm	1.8
	max Nm	2
	min lbin	16
	max lbin	18
Conductor section	IEC min mm <sup>2</sup>	0.75

IEC max	mm <sup>2</sup>	16
AWG/kcmil min		18
AWG/kcmil max	kcmil	6

**Ambient conditions**

Operating temperature

min	°C	-25
max	°C	+55

Storage temperature

min	°C	-40
max	°C	+70

Max altitude

m	3000
---	------

**Resistance & Protection**

Frontal IP degree

IP65

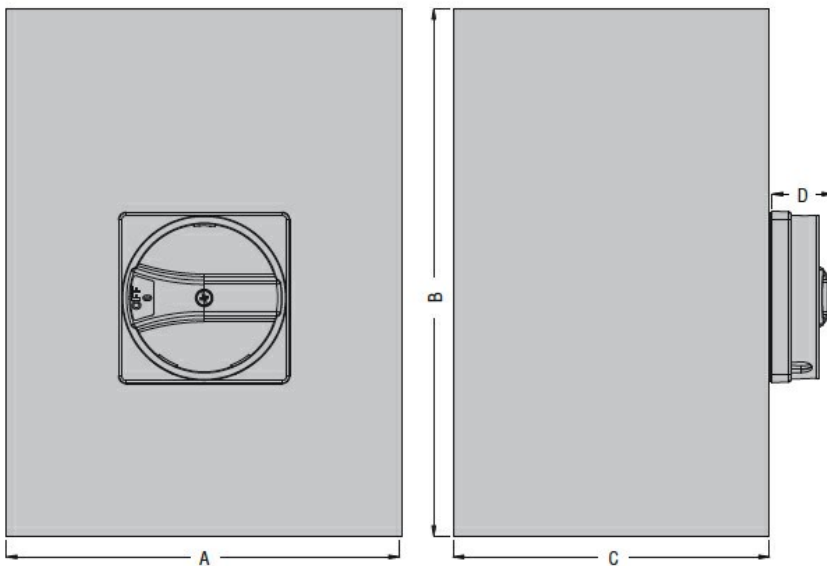
IP degree of protection

IP65

Pollution degree

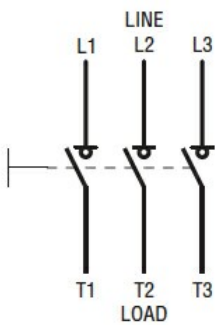
3

**Dimensions**



Type	A	B	C	D
GAZM016...GAZM100...	150 (5.90")	200 (7.87")	120 (4.72")	23 (0.90")

**Wiring diagrams**



**Certifications and compliance**

Compliance

IEC/EN 60947-1  
IEC/EN 60947-3

**ETIM classification**

ETIM 8.0

EC000216 -  
Switch  
disconnecter