



Contact characteristics

IEC Conventional free air thermal current $I_{th} \leq 40^{\circ}\text{C}$	A	40
Rated insulation voltage U_i IEC/EN	V	1000
Rated impulse withstand voltage U_{imp}	kV	8
Operating current I_e		
AC21A	400V	A 40
	500V	A 40
	690V	A 40
AC22A	400V	A 40
	500V	A 40
	690V	A 40
AC23A	400V	A 40
	500V	A 25
	690V	A 25
Power dissipation per pole max	W	1
Rated operational power AC23A	400V	kW 18.5
	690V	kW 22
Reactive power for control of capacitors at		
Conditional short-circuit current (rms)	kA	10
Short-circuit protection with fuse	Class/A	gG40
Making capacity AC23A 400V	A	400
Breaking capacity AC23A 400V	A	320
Mechanical life	cycles	100000
Electrical life AC21A	cycles	100000

Mechanical features

Operating position	normal allowable	Vertical plan Any
Terminals	type	Pillar
	width mm	5.6
	height mm	6.5
	screw	M4
	tool	Phillips 2
Tightening torque for terminals	min Nm	1.8
	max Nm	2
	min lbin	16
	max lbin	18
Conductor section	IEC min mm ²	0.75

IEC max	mm ²	16
AWG/kcmil min		18
AWG/kcmil max	kcmil	6

Ambient conditions

Operating temperature

min	°C	-25
max	°C	+55

Storage temperature

min	°C	-40
max	°C	+70

Max altitude

m	3000
---	------

Resistance & Protection

Frontal IP degree

IP65

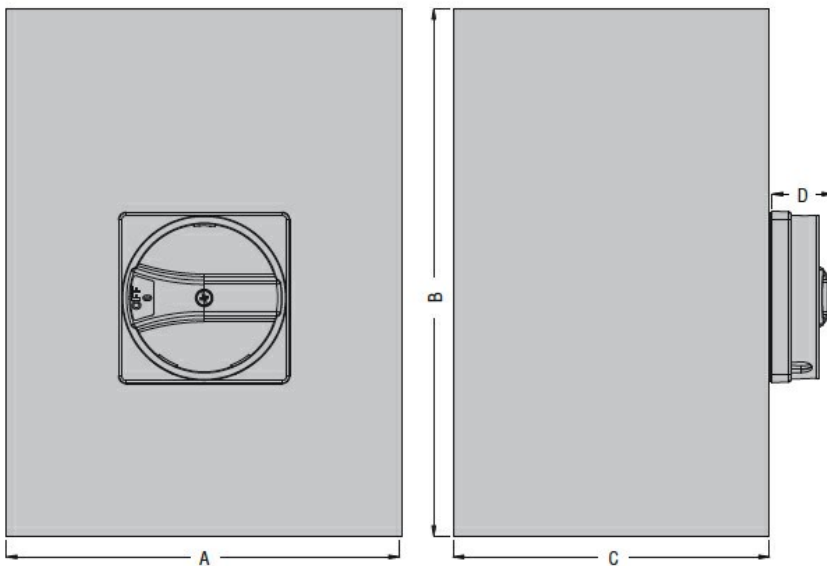
IP degree of protection

IP65

Pollution degree

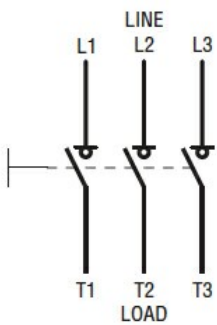
3

Dimensions



Type	A	B	C	D
GAZM016...GAZM100...	150 (5.90")	200 (7.87")	120 (4.72")	23 (0.90")

Wiring diagrams



Certifications and compliance

Compliance

IEC/EN 60947-1
IEC/EN 60947-3

ETIM classification

ETIM 8.0

EC000216 -
Switch
disconnecter