



**Contact characteristics**

IEC Conventional free air thermal current $I_{th} \leq 40^{\circ}C$	A	25
Rated insulation voltage $U_i$ IEC/EN	V	1000
Rated impulse withstand voltage $U_{imp}$	kV	8
Operating current $I_e$		
AC21A	400V	A 25
	500V	A 25
	690V	A 25
AC22A	400V	A 25
	500V	A 25
	690V	A 25
AC23A	400V	A 25
	500V	A 25
	690V	A 25
Power dissipation per pole max	W	0.4
Rated operational power AC23A	400V	kW 11
	690V	kW 22
Reactive power for control of capacitors at		
Conditional short-circuit current (rms)	kA	10
Short-circuit protection with fuse	Class/A	gG25
Making capacity AC23A 400V	A	250
Breaking capacity AC23A 400V	A	200
Mechanical life	cycles	100000
Electrical life AC21A	cycles	100000

**Mechanical features**

Operating position	normal allowable	Vertical plan Any
Terminals	type	Pillar
	width mm	5.6
	height mm	6.5
	screw	M4
	tool	Phillips 2
Tightening torque for terminals	min Nm	1.8
	max Nm	2
	min lbin	16
	max lbin	18
Conductor section	IEC min mm <sup>2</sup>	0.75

IEC max	mm <sup>2</sup>	16
AWG/kcmil min		18
AWG/kcmil max	kcmil	6

**UL technical data**

General purpose current rating		A	25
Operating voltage max		V	600
Horsepower/FLA current single phase motor			
	120V	HP/A	1.5/20
	240V	HP/A	3/17
Horsepower/FLA current three phase motor			
	200-208V	HP/A	7.5/25.3
	240V	HP/A	7,5/22
	480V	HP/A	15/21
	600V	HP/A	20/22
Short circuit rating		kA rms	5
Short circuit rating with fuse		Class/A	RK5/30

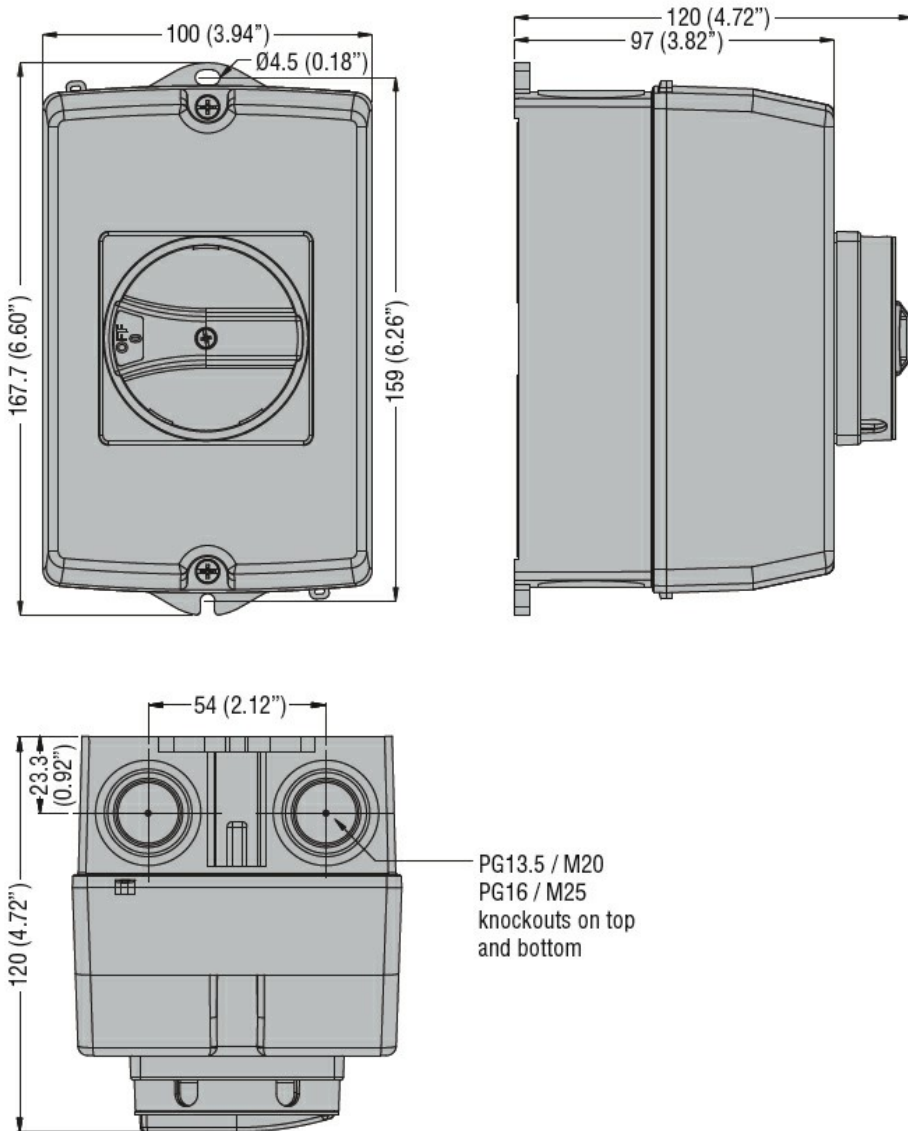
**Ambient conditions**

Operating temperature			
	min	°C	-25
	max	°C	+55
Storage temperature			
	min	°C	-40
	max	°C	+70
Max altitude		m	3000

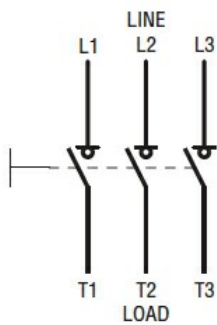
**Resistance & Protection**

Frontal IP degree		IP65
UL degree of protection		UL/CSA Type 4/4X
IP degree of protection		IP65
Pollution degree		3

**Dimensions**



**Wiring diagrams**



**Certifications and compliance**

**Compliance**

IEC/EN 60947-1

IEC/EN 60947-3

**Certifications**

cULus

EAC

**ETIM classification**

UL/CSA TYPE 4/4X PLASTIC ENCLOSED SWITCH DISCONNECTOR, THREE-POLE. WITH ROTATING BLACK HANDLE, 40A. ENCLOSURE DIMENSIONS: 100X168X97MM/3.9X6.6X3.8"

ETIM 8.0

EC000216 -  
Switch  
disconnecter