



Contact characteristics

IEC Conventional free air thermal current $I_{th} \leq 40^{\circ}C$	A	16
Rated insulation voltage U_i IEC/EN	V	1000
Rated impulse withstand voltage U_{imp}	kV	8
Operating current I_e		
AC21A	400V	A 16
	500V	A 16
	690V	A 16
AC22A	400V	A 16
	500V	A 16
	690V	A 16
AC23A	400V	A 16
	500V	A 16
	690V	A 16
Power dissipation per pole max	W	0.2
Rated operational power AC23A	400V	kW 7.5
	690V	kW 11
Reactive power for control of capacitors at		
Conditional short-circuit current (rms)	kA	10
Short-circuit protection with fuse	Class/A	gG16
Making capacity AC23A 400V	A	160
Breaking capacity AC23A 400V	A	128
Mechanical life	cycles	100000
Electrical life AC21A	cycles	100000

Mechanical features

Operating position	normal allowable	Vertical plan Any
Terminals	type	Pillar
	width mm	5.6
	height mm	6.5
	screw	M4
	tool	Phillips 2
Tightening torque for terminals	min Nm	1.8
	max Nm	2
	min lbin	16
	max lbin	18
Conductor section	IEC min mm ²	0.75

IEC max	mm ²	16
AWG/kcmil min		18
AWG/kcmil max	kcmil	6

UL technical data

General purpose current rating		A	16
Operating voltage max		V	600
Horsepower/FLA current single phase motor			
	120V	HP/A	1/16
	240V	HP/A	2/12
Horsepower/FLA current three phase motor			
	200-208V	HP/A	5/17.5
	240V	HP/A	5/15,2
	480V	HP/A	10/14
	600V	HP/A	10/11
Short circuit rating		kA rms	5
Short circuit rating with fuse		Class/A	RK5/30

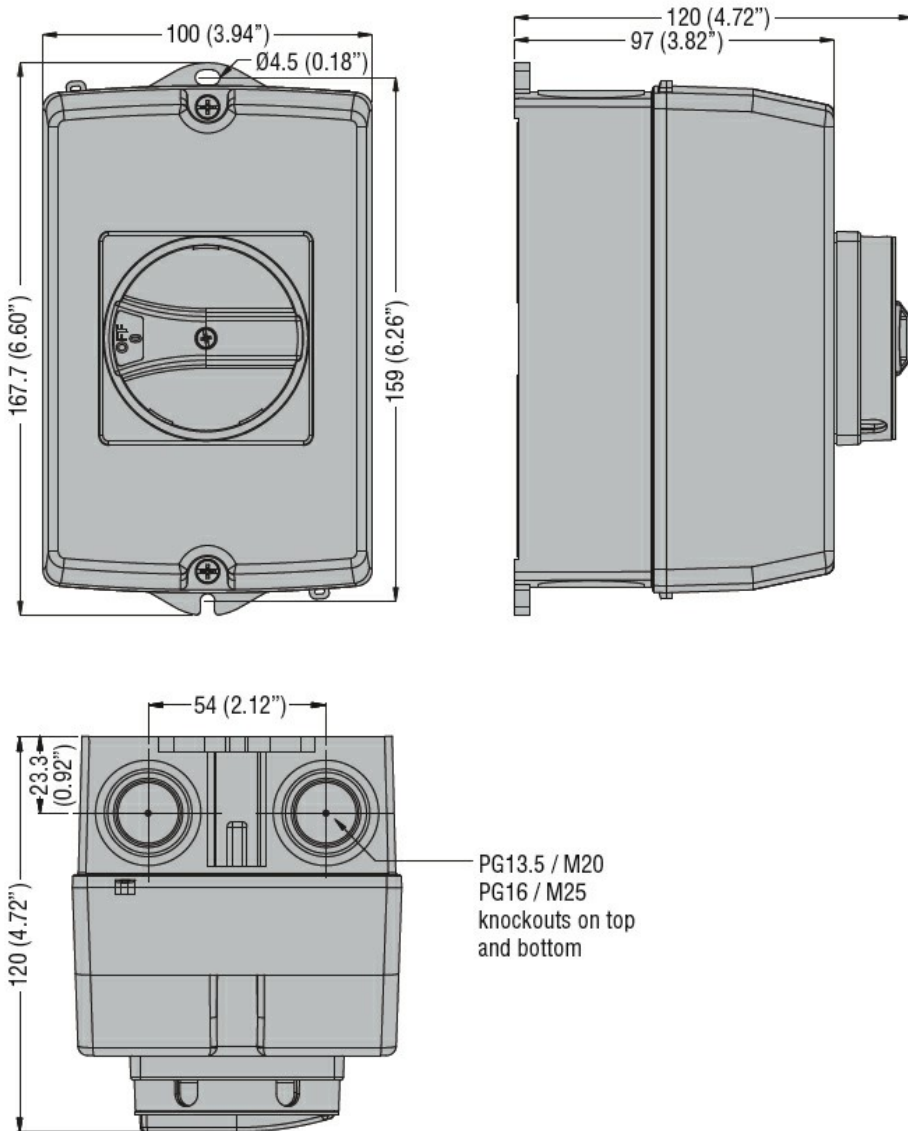
Ambient conditions

Operating temperature			
	min	°C	-25
	max	°C	+55
Storage temperature			
	min	°C	-40
	max	°C	+70
Max altitude		m	3000

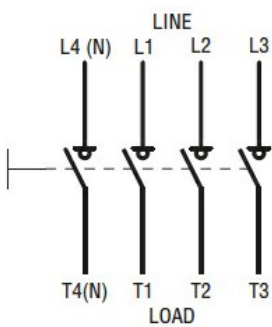
Resistance & Protection

Frontal IP degree		IP65
UL degree of protection		UL/CSA Type 4/4X
IP degree of protection		IP65
Pollution degree		3

Dimensions



Wiring diagrams



Certifications and compliance

Compliance

IEC/EN 60947-1
IEC/EN 60947-3

Certifications

cULus
EAC

ETIM classification

UL/CSA TYPE 4/4X PLASTIC ENCLOSED SWITCH DISCONNECTOR, FOUR-POLE. WITH ROTATING BLACK HANDLE, 16A. ENCLOSURE DIMENSIONS: 100X168X97MM/3.9X6.6X3.8"

ETIM 8.0

EC000216 -
Switch
disconnecter