



Contact characteristics

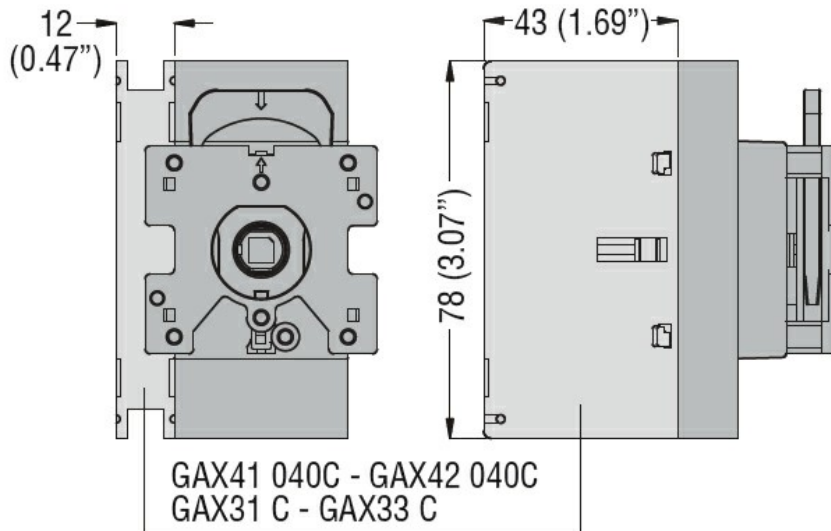
IEC Conventional free air thermal current $I_{th} \leq 40^\circ\text{C}$ A 40

Mechanical features

Tightening torque for terminals

	min	Nm	1.8
	max	Nm	2
	min	lbin	16
	max	lbin	18

Dimensions



Wiring diagrams



Certifications and compliance

Compliance

CSA C22.2
IEC/EN 60335-2-89
IEC/EN 60947-1
IEC/EN 60947-3
UL508

UL98

Certifications

CCC

CSA C22.2 n. 60335-2-40:22 LZGH A2L

CSA C22.2 n°60947-4-1

CSA C22.2 No. 60335-2-89:21 LZGH A2L

cULus according to UL60947-4-1

EAC

UL 60335-2-40 LZGH A2L

UL 60335-2-89 LZGH A2L

ETIM classification

ETIM 8.0

EC002498 -
Accessories/spare
parts for low-
voltage switch
technology