



### Current inputs

Primary current $I_{pn}$ (/5)	A	600
Operational frequency	min	Hz 50
	max	Hz 60
Secondary output current	A	5
Overload withstand $I_{pn}$	%	120
Burden	cl. 0.5s	VA 5
	cl. 0.5	VA 10

### Insulations

Rated insulation voltage $U_i$ IEC/EN	V	720
IEC rated short-time thermal current $I_{th}$	$I_{th}$ for s	40...60
IEC rated dynamic current $I_{dyn}$	$I_{th}$ for s	2.5
Insulation dry type		Class E

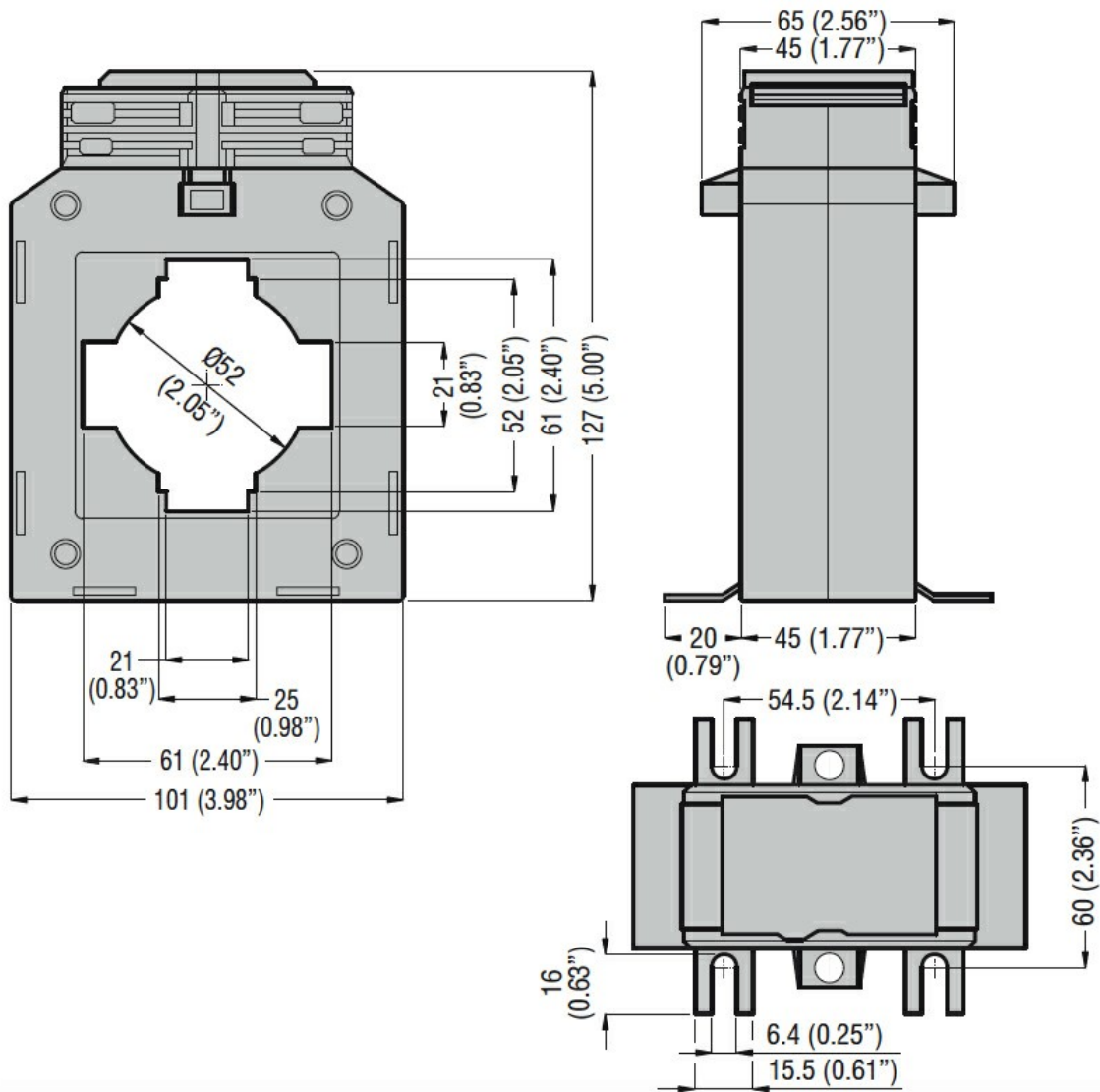
### Mechanical features

Terminals type	Screw
Fixing	DIN rail or by Screw
Weight	g 700

### Ambient conditions

Temperature	Operating temperature		
	min	°C	-25
	max	°C	+50
	Storage temperature		
	min	°C	-40
	max	°C	+80
Relative humidity	%	90	
Protection degree		IP30	

### Dimensions



### Certifications and compliance

#### Certifications

IEC/EN/BS 61869-1

IEC/EN/BS 61869-2

#### Compliance

EAC

### ETIM classification

EC000066 - Power contactor, AC switching