



Contact characteristics

Number of poles	Nr.	3	
Rated insulation voltage U_i IEC/EN	V	690	
Rated impulse withstand voltage U_{imp}	kV	8	
Operational frequency	min	Hz	25
	max	Hz	400
IEC Conventional free air thermal current $I_{th} \leq 40^\circ\text{C}$	A	140	
Rated operational power AC-6b ($T \leq 40^\circ\text{C}$)	230V	kvar	34
	400V	kvar	60
	440...480V	kvar	75
	690V	kvar	80
Short-time allowable current for 10s (IEC/EN60947-1)	A	760	
Protection fuse	gG (IEC)	A	125
		A	1200
Making capacity (RMS value)			
Breaking capacity at voltage	440V	A	1100
	500V	A	775
	690V	A	745
Resistance per pole (average value)	m Ω	0.45	
Power dissipation per pole (average value)	lth	W	8.8
Tightening torque for terminals	min	Nm	6
	max	Nm	7
	min	lbin	4.4
	max	lbin	5.2
Tightening torque for coil terminal	min	Nm	0.8
	max	Nm	1
	min	lbin	0.59
	max	lbin	0.74
Max number of wires simultaneously connectable	Nr.	2	
Conductor section	AWG/Kcmil		
	max		2/0
Flexible w/o lug conductor section	min	mm ²	1.5
	max	mm ²	70
Flexible c/w lug conductor section	min	mm ²	1.5
	max	mm ²	70
Power terminal protection according to IEC/EN 60529		IP20 front	

Mechanical features

Operating position

normal
allowable Vertical plan
±30°

Fixing

Screw / DIN rail
35mm

Weight

g 2095

Operations

Mechanical life

cycles 15000000

Electrical life

cycles 400000

Safety related data

Performance level B10d according to EN/ISO 13489-1

rated load cycles 400000
mechanical load cycles 15000000

EMC compatibility

yes

AC coil operating

Rated AC voltage at 60Hz

V 48

AC operating voltage

of 60Hz coil powered at 60Hz
pick-up

min %Us 80
max %Us 110

drop-out

min %Us 20
max %Us 55

Dissipation at holding ≤20°C 50Hz

W 6.5

Max cycles frequency

Mechanical operation

cycles/h 1500

Operating times

Average time for Us control

in AC

Closing NO

min ms 16
max ms 32

Opening NO

min ms 9
max ms 24

UL technical data

Rated operational voltage AC (UL)

V 600

General USE

Contactor

AC current A 140

Ambient conditions

Temperature

Operating temperature

min °C -50
max °C 70

Storage temperature

min °C -60
max °C 80

Max altitude

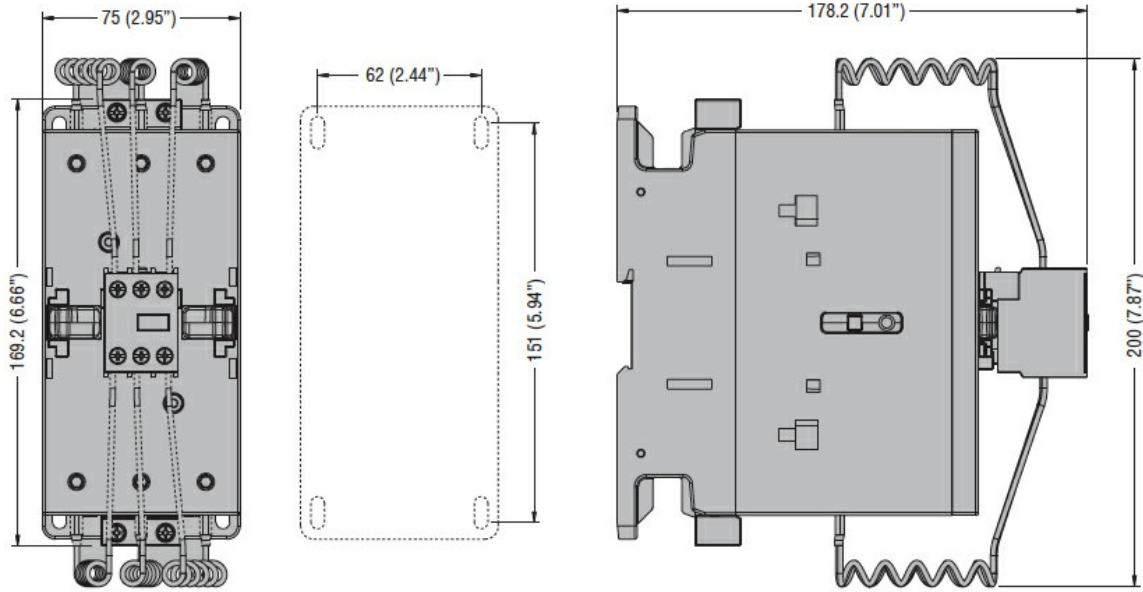
m 3000

Resistance & Protection

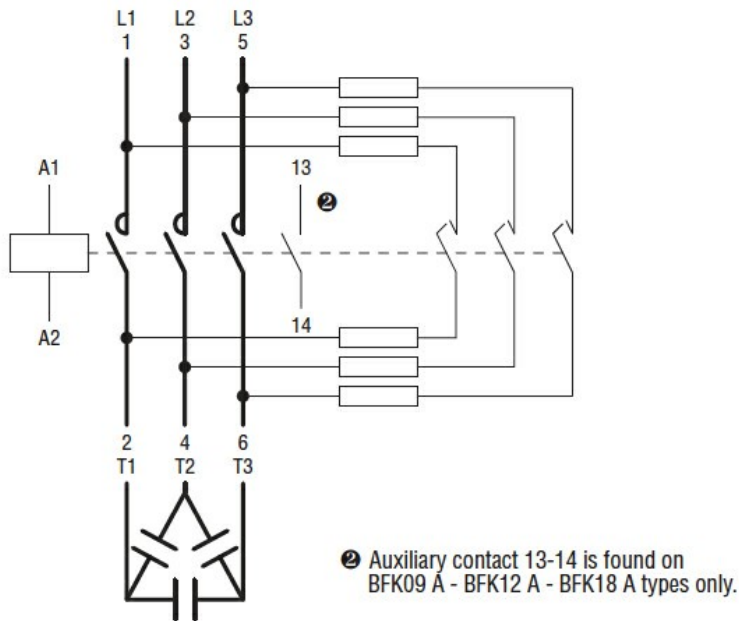
Pollution degree

3

Dimensions



Wiring diagrams



Certifications and compliance

Compliance

CSA C22.2 n° 60947-1
CSA C22.2 n° 60947-4-1
IEC/EN/BS 60947-1
IEC/EN/BS 60947-4-1
UL 60947-1
UL 60947-4-1

Certificates

CCC
cULus

ETIM classification

ETIM 8.0

EC001079 -
Capacitor
contactor