



Contact characteristics

Number of poles	Nr.	3	
Rated insulation voltage U_i IEC/EN	V	690	
Rated impulse withstand voltage U_{imp}	kV	8	
Operational frequency	min	Hz	25
	max	Hz	400
IEC Conventional free air thermal current $I_{th} \leq 40^\circ\text{C}$	A	140	
Rated operational power AC-6b ($T \leq 40^\circ\text{C}$)	230V	kvar	34
	400V	kvar	60
	440...480V	kvar	75
	690V	kvar	80
Short-time allowable current for 10s (IEC/EN60947-1)	A	760	
Protection fuse	gG (IEC)	A	125
		A	1200
Making capacity (RMS value)			
Breaking capacity at voltage	440V	A	1100
	500V	A	775
	690V	A	745
Resistance per pole (average value)	m Ω	0.45	
Power dissipation per pole (average value)	lth	W	8.8
Tightening torque for terminals	min	Nm	6
	max	Nm	7
	min	lbin	4.4
	max	lbin	5.2
Tightening torque for coil terminal	min	Nm	0.8
	max	Nm	1
	min	lbin	0.59
	max	lbin	0.74
Max number of wires simultaneously connectable	Nr.	2	
Conductor section	AWG/Kcmil		
	max		2/0
Flexible w/o lug conductor section	min	mm ²	1.5
	max	mm ²	70
Flexible c/w lug conductor section	min	mm ²	1.5
	max	mm ²	70
Power terminal protection according to IEC/EN 60529		IP20 front	

Mechanical features

Operating position	normal allowable	Vertical plan ±30°
Fixing		Screw / DIN rail 35mm
Weight	g	2095

Operations

Mechanical life	cycles	15000000
Electrical life	cycles	400000

Safety related data

Performance level B10d according to EN/ISO 13489-1	rated load mechanical load	cycles	400000
		cycles	15000000
EMC compatibility			yes

AC coil operating

Rated AC voltage at 50/60Hz	V	24
AC operating voltage		
of 50/60Hz coil powered at 50Hz		
pick-up	min %Us	80
	max %Us	110
drop-out	min %Us	20
	max %Us	55
of 50/60Hz coil powered at 60Hz		
pick-up	min %Us	85
	max %Us	110
drop-out	min %Us	40
	max %Us	55

AC average coil consumption at 20°C			
of 50/60Hz coil powered at 50Hz	holding	VA	20
of 50/60Hz coil powered at 60Hz	in-rush	VA	300
	holding	VA	17
of 60Hz coil powered at 60Hz	in-rush	VA	300
	holding	VA	20

Dissipation at holding ≤20°C 50Hz	W	6.5
-----------------------------------	---	-----

Max cycles frequency

Mechanical operation	cycles/h	1500
----------------------	----------	------

Operating times

Average time for Us control in AC			
Closing NO	min	ms	16
	max	ms	32
Opening NO	min	ms	9
	max	ms	24

UL technical data

Rated operational voltage AC (UL)	V	600
General USE		

Contactor	AC current	A	140
-----------	------------	---	-----

Ambient conditions

Temperature	Operating temperature	min	°C	-50
		max	°C	70

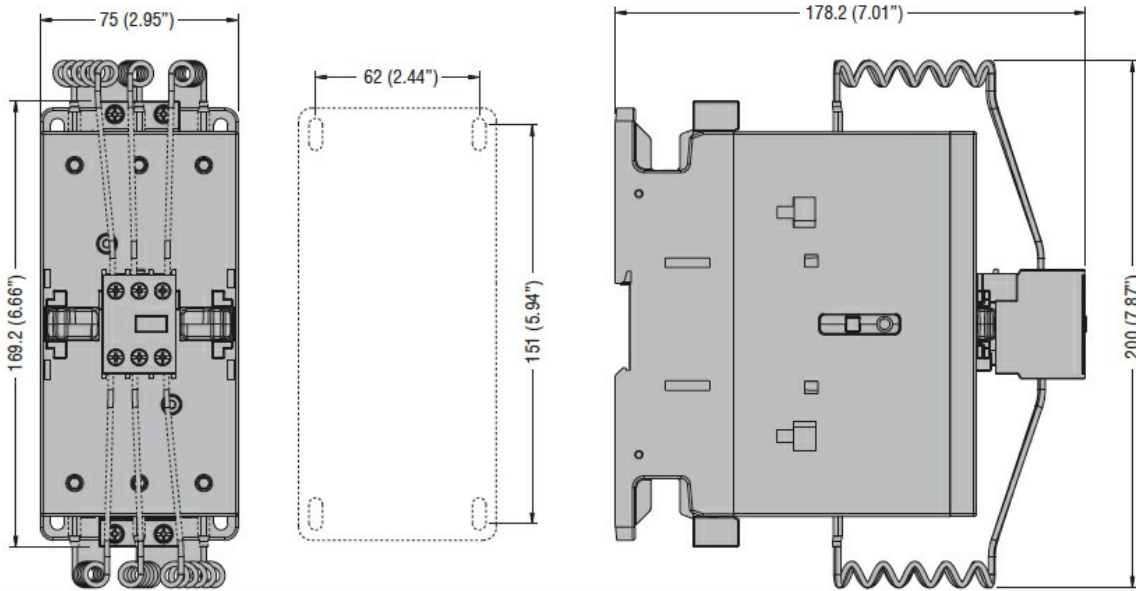
Storage temperature	min	°C	-60
	max	°C	80

Max altitude	m	3000
--------------	---	------

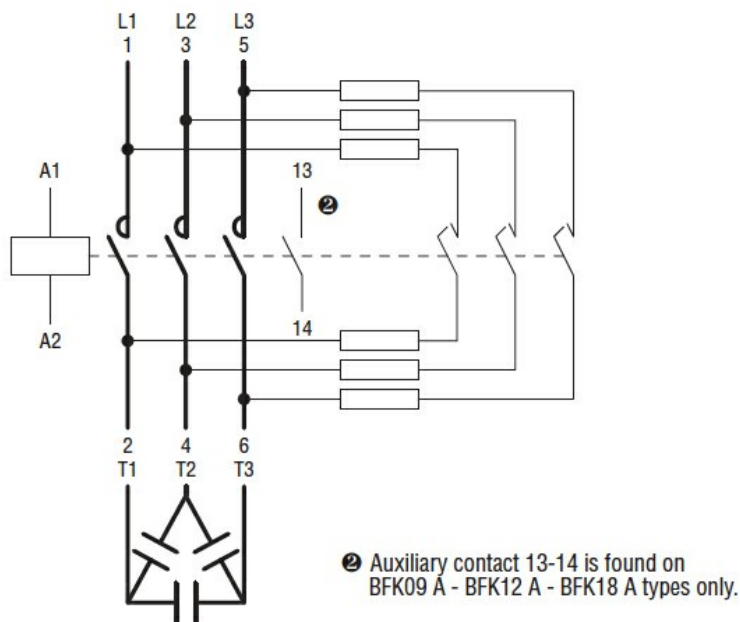
Resistance & Protection

Pollution degree	3
------------------	---

Dimensions



Wiring diagrams



Certifications and compliance

Compliance

CSA C22.2 n° 60947-1

CSA C22.2 n° 60947-4-1

IEC/EN/BS 60947-1

IEC/EN/BS 60947-4-1

UL 60947-1

UL 60947-4-1

Certificates

CCC

cULus

ETIM classification

ETIM 8.0

EC001079 -
Capacitor
contactor