



Contact characteristics			
Number of poles	Nr.	3	
Rated insulation voltage U_i IEC/EN	V	690	
Rated impulse withstand voltage U_{imp}	kV	8	
Operational frequency	min	Hz	25
	max	Hz	400
IEC Conventional free air thermal current $I_{th} \leq 40^\circ\text{C}$	A	115	
Rated operational power AC-6b ($T \leq 40^\circ\text{C}$)	230V	kvar	34
	400V	kvar	60
	440...480V	kvar	75
	690V	kvar	80
Short-time allowable current for 10s (IEC/EN60947-1)	A	640	
Protection fuse	gG (IEC)	A	125
		A	950
Making capacity (RMS value)			
Breaking capacity at voltage	440V	A	760
	500V	A	660
	690V	A	475
Resistance per pole (average value)	m Ω	0.6	
Power dissipation per pole (average value)	lth	W	7.9
Tightening torque for terminals	min	Nm	4
	max	Nm	5
	min	lbin	2.95
	max	lbin	3.69
Tightening torque for coil terminal	min	Nm	0.8
	max	Nm	1
	min	lbin	0.8
	max	lbin	0.74
Max number of wires simultaneously connectable	Nr.	2	
Conductor section	AWG/Kcmil		
	max		2
Flexible w/o lug conductor section	min	mm ²	1.5
	max	mm ²	35
Flexible c/w lug conductor section	min	mm ²	1.5
	max	mm ²	35
Power terminal protection according to IEC/EN 60529		IP20 front	

Mechanical features

Operating position

normal
allowable Vertical plan
±30°

Fixing

Screw / DIN rail
35mm

Weight

g 1090

Operations

Mechanical life

cycles 15000000

Electrical life

cycles 400000

Safety related data

Performance level B10d according to EN/ISO 13489-1

rated load cycles 400000
mechanical load cycles 15000000

EMC compatibility

yes

AC coil operating

Rated AC voltage at 60Hz

V 24

AC operating voltage

of 60Hz coil powered at 60Hz
pick-up

min %Us 80
max %Us 110

drop-out

min %Us 20
max %Us 55

AC average coil consumption at 20°C

of 60Hz coil powered at 60Hz

in-rush VA 210
holding VA 15

Dissipation at holding ≤20°C 50Hz

W 5

Max cycles frequency

Mechanical operation

cycles/h 3600

Operating times

Average time for Us control

in AC

Closing NO

min ms 12
max ms 28

Opening NO

min ms 8
max ms 22

in DC

Closing NO

min ms 40
max ms 85

Opening NO

min ms 20
max ms 55

UL technical data

Rated operational voltage AC (UL)

V 600

General USE

Contactor

AC current A 115

Ambient conditions

Temperature

Operating temperature

min	°C	-50
max	°C	70

Storage temperature

min	°C	-60
max	°C	80

Max altitude

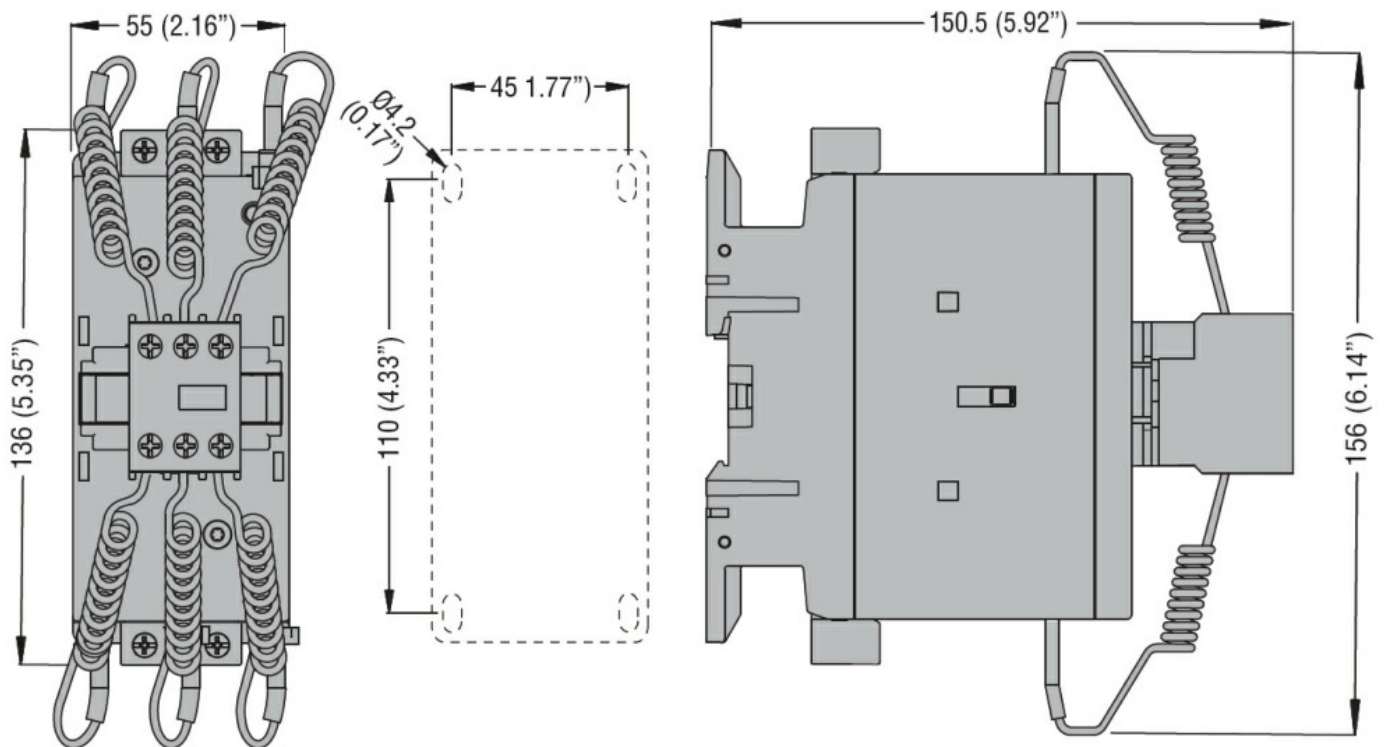
m	3000
---	------

Resistance & Protection

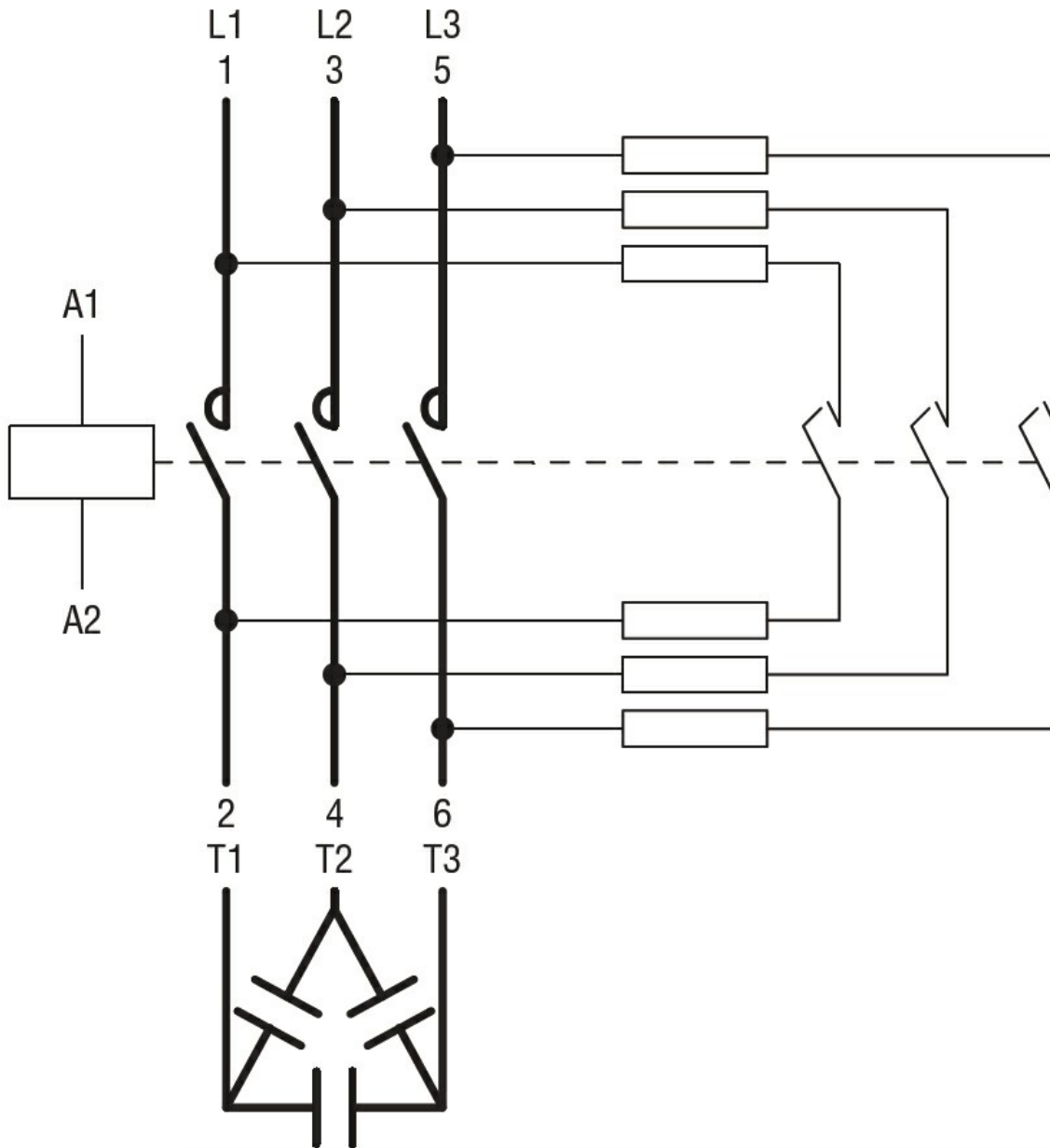
Pollution degree

3

Dimensions



Wiring diagrams



Certifications and compliance

Compliance

- CSA C22.2 n° 60947-1

- CSA C22.2 n° 60947-4-1

- IEC/EN/BS 60947-1

- IEC/EN/BS 60947-4-1

- UL 60947-1

- UL 60947-4-1

ETIM classification

ETIM 8.0

EC001079 -
 Capacitor
 contactor