



Contact characteristics

Number of poles	Nr.	3	
Rated insulation voltage U_i IEC/EN	V	690	
Rated impulse withstand voltage U_{imp}	kV	8	
Operational frequency	min	Hz	25
	max	Hz	400
IEC Conventional free air thermal current $I_{th} \leq 40^\circ\text{C}$	A	115	
Rated operational power AC-6b ($T \leq 40^\circ\text{C}$)	230V	kvar	30
	400V	kvar	50
	440...480V	kvar	56
	690V	kvar	65
Short-time allowable current for 10s (IEC/EN60947-1)	A	640	
Protection fuse	gG (IEC)	A	125
		A	800
Making capacity (RMS value)			
Breaking capacity at voltage	440V	A	640
	500V	A	625
	690V	A	456
Resistance per pole (average value)		m Ω	0.6
Power dissipation per pole (average value)	lth	W	7.9
Tightening torque for terminals	min	Nm	4
	max	Nm	5
	min	lbin	2.95
	max	lbin	3.69
Tightening torque for coil terminal	min	Nm	0.8
	max	Nm	1
	min	lbin	0.8
	max	lbin	0.74
Max number of wires simultaneously connectable	Nr.	2	
Conductor section	AWG/Kcmil		
		max	2
Flexible w/o lug conductor section	min	mm ²	1.5
	max	mm ²	35
Flexible c/w lug conductor section	min	mm ²	1.5
	max	mm ²	35
Power terminal protection according to IEC/EN 60529		IP20 front	

Mechanical features

Operating position

normal allowable	Vertical plan ±30°
---------------------	-----------------------

Fixing

Screw / DIN rail 35mm

Weight

g	1090
---	------

Operations

Mechanical life

cycles	15000000
--------	----------

Electrical life

cycles	400000
--------	--------

Safety related data

Performance level B10d according to EN/ISO 13489-1

rated load mechanical load	cycles cycles	400000 15000000
-------------------------------	------------------	--------------------

EMC compatibility

yes

AC coil operating

Rated AC voltage at 60Hz

V	24
---	----

AC operating voltage

of 60Hz coil powered at 60Hz
pick-up

min	%Us	80
max	%Us	110

drop-out

min	%Us	20
max	%Us	55

AC average coil consumption at 20°C

of 60Hz coil powered at 60Hz

in-rush holding	VA VA	210 15
--------------------	----------	-----------

Dissipation at holding ≤20°C 50Hz

W	5
---	---

Max cycles frequency

Mechanical operation

cycles/h	3600
----------	------

Operating times

Average time for Us control

in AC

Closing NO

min	ms	12
max	ms	28

Opening NO

min	ms	8
max	ms	22

in DC

Closing NO

min	ms	40
max	ms	85

Opening NO

min	ms	20
max	ms	55

UL technical data

Rated operational voltage AC (UL)

V	600
---	-----

General USE

Contactor

AC current	A	115
------------	---	-----

Ambient conditions

Temperature

Operating temperature

min	°C	-50
max	°C	70

Storage temperature

min	°C	-60
max	°C	80

Max altitude

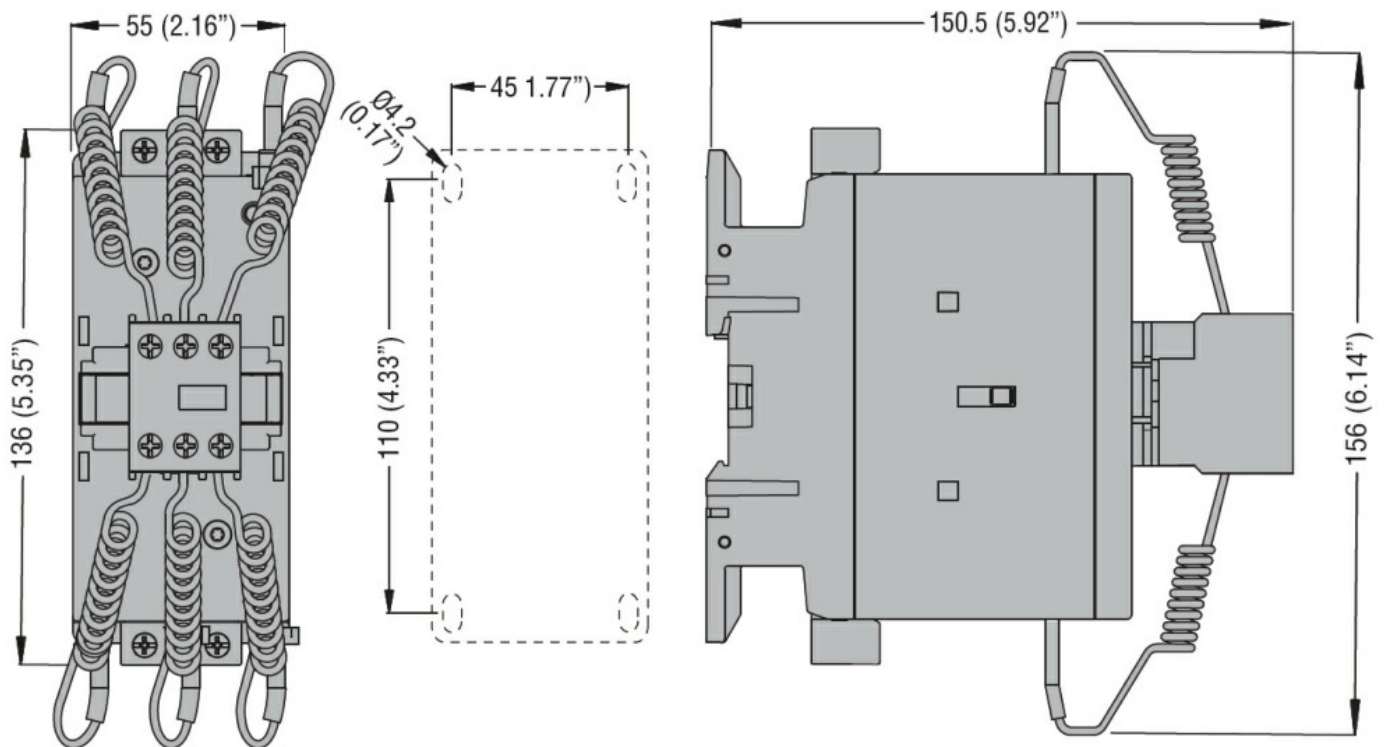
m 3000

Resistance & Protection

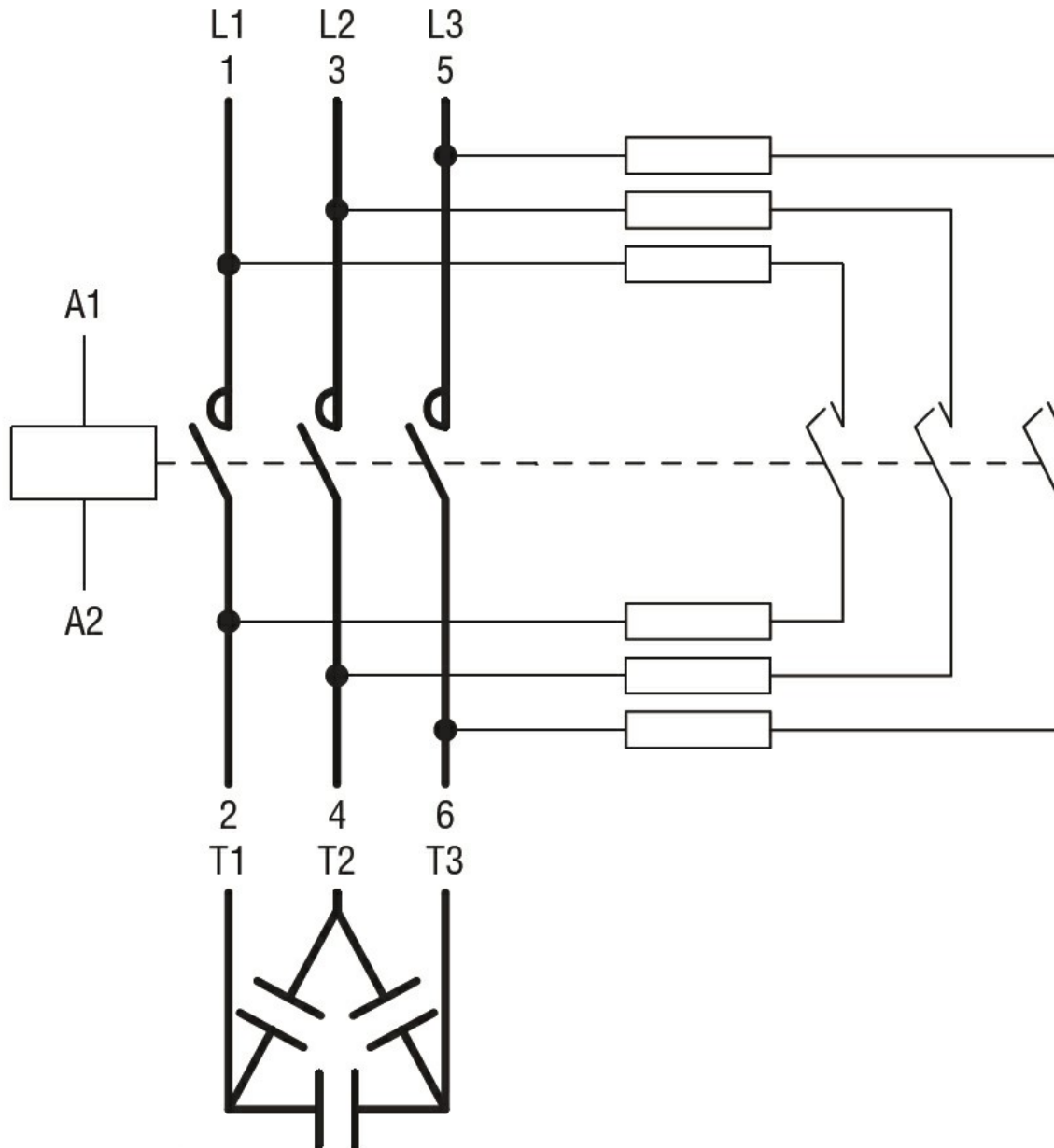
Pollution degree

3

Dimensions



Wiring diagrams



Certifications and compliance

Compliance

- CSA C22.2 n° 60947-1
- CSA C22.2 n° 60947-4-1
- IEC/EN/BS 60947-1
- IEC/EN/BS 60947-4-1
- UL 60947-1
- UL 60947-4-1

Certificates

- CCC
- cULus

ETIM classification

ETIM 8.0

EC001079 -
 Capacitor
 contactor