



Contact characteristics

Number of poles	Nr.	3
Rated insulation voltage U_i IEC/EN	V	690
Rated impulse withstand voltage U_{imp}	kV	6
Operational frequency	min	Hz 25
	max	Hz 400
IEC Conventional free air thermal current $I_{th} \leq 40^\circ\text{C}$	A	56
Rated operational power AC-6b ($T \leq 40^\circ\text{C}$)	230V	kvar 14
	400V	kvar 25
	440...480V	kvar 27.5
	690V	kvar 30
Short-time allowable current for 10s (IEC/EN60947-1)	A	320
Protection fuse	gG (IEC)	A 63
		A 320
Making capacity (RMS value)		A 320
Breaking capacity at voltage	440V	A 256
	500V	A 240
	690V	A 192
Resistance per pole (average value)	m Ω	2
Power dissipation per pole (average value)	lth	W 6
Tightening torque for terminals	min	Nm 2.5
	max	Nm 3
	min	lbin 1.8
	max	lbin 2.2
Tightening torque for coil terminal	min	Nm 0.8
	max	Nm 1
	min	lbin 0.59
	max	lbin 0.74
Max number of wires simultaneously connectable	Nr.	2
Conductor section	AWG/Kcmil	
	max	6
Flexible w/o lug conductor section	min	mm ² 2.5
	max	mm ² 16
Flexible c/w lug conductor section	min	mm ² 1
	max	mm ² 10
Flexible with insulated spade lug conductor section		

	min	mm ²	1
	max	mm ²	10
Power terminal protection according to IEC/EN 60529			IP20 when properly wired
Mechanical features			
Operating position	normal allowable		Vertical plan ±30°
Fixing			Screw / DIN rail 35mm
Weight		g	400
Operations			
Mechanical life		cycles	20000000
Electrical life		cycles	1600000
Safety related data			
Performance level B10d according to EN/ISO 13489-1			
	rated load	cycles	1600000
	mechanical load	cycles	20000000
EMC compatibility			yes
AC coil operating			
Rated AC voltage at 60Hz		V	575
AC operating voltage			
	of 60Hz coil powered at 60Hz		
	pick-up		
	min	%Us	80
	max	%Us	110
	drop-out		
	min	%Us	20
	max	%Us	55
AC average coil consumption at 20°C			
	of 60Hz coil powered at 60Hz		
	in-rush	VA	75
	holding	VA	9
Dissipation at holding ≤20°C 50Hz		W	2.5
Max cycles frequency			
Mechanical operation		cycles/h	3600
Operating times			
Average time for Us control			
	in AC		
	Closing NO		
	min	ms	8
	max	ms	24
	Opening NO		
	min	ms	5
	max	ms	15
	Closing NC		
	min	ms	9
	max	ms	20
UL technical data			
Rated operational voltage AC (UL)		V	600
General USE			
	Contactor		
	AC current	A	56
Ambient conditions			

Temperature

Operating temperature

min	°C	-50
max	°C	70

Storage temperature

min	°C	-60
max	°C	80

Max altitude

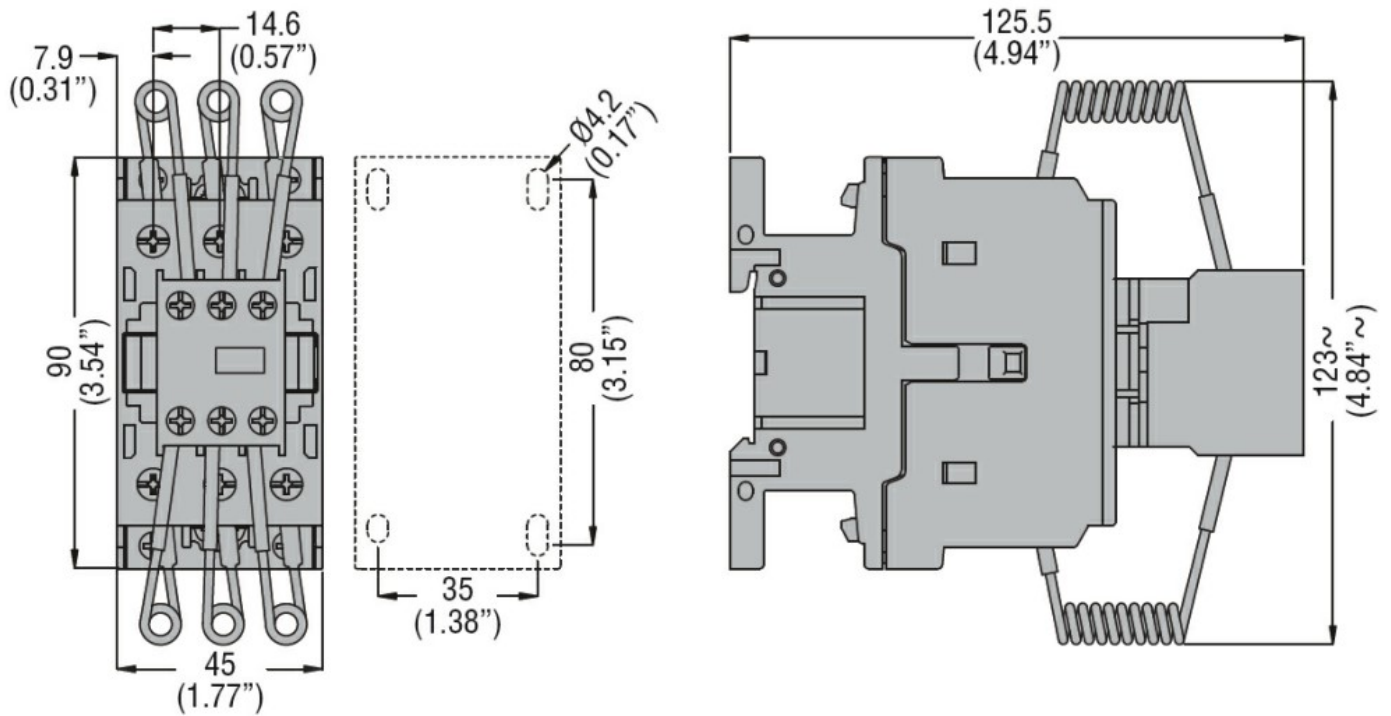
m	3000
---	------

Resistance & Protection

Pollution degree

3

Dimensions



Wiring diagrams



Certifications and compliance

Compliance

CSA C22.2 n° 60947-1
 CSA C22.2 n° 60947-4-1
 IEC/EN/BS 60947-1
 IEC/EN/BS 60947-4-1
 UL 60947-1
 UL 60947-4-1

Certificates

CCC
 cULus
 EAC

ETIM classification

ETIM 8.0

EC001079 -
 Capacitor
 contactor