



### Contact characteristics

Number of poles	Nr.	3	
Rated insulation voltage $U_i$ IEC/EN	V	690	
Rated impulse withstand voltage $U_{imp}$	kV	8	
Operational frequency	min	Hz	25
	max	Hz	400
IEC Conventional free air thermal current $I_{th} \leq 40^\circ\text{C}$	A	165	
Rated operational power AC-6b ( $T \leq 40^\circ\text{C}$ )	230V	kvar	50
	400V	kvar	100
	440...480V	kvar	115
	690V	kvar	150
Short-time allowable current for 10s (IEC/EN60947-1)	A	1200	
Protection fuse	gG (IEC)	A	160
		A	1500
Making capacity (RMS value)			
Breaking capacity at voltage	440V	A	1200
	500V	A	1025
	690V	A	905
Resistance per pole (average value)	m $\Omega$	0.45	
Power dissipation per pole (average value)	lth	W	12
Tightening torque for terminals	min	Nm	6
	max	Nm	7
	min	lbin	4.4
	max	lbin	5.2
Tightening torque for coil terminal	min	Nm	0.8
	max	Nm	1
	min	lbin	0.59
	max	lbin	0.74
Max number of wires simultaneously connectable	Nr.	2	
Conductor section	AWG/Kcmil		
	max		2/0
Flexible w/o lug conductor section	min	mm <sup>2</sup>	1.5
	max	mm <sup>2</sup>	70
Flexible c/w lug conductor section	min	mm <sup>2</sup>	1.5
	max	mm <sup>2</sup>	70
Power terminal protection according to IEC/EN 60529		IP20 front	

### Mechanical features

Operating position	normal allowable	Vertical plan ±30°
Fixing		Screw / DIN rail 35mm
Weight	g	2095

### Operations

Mechanical life	cycles	15000000
Electrical life	cycles	800000

### Safety related data

Performance level B10d according to EN/ISO 13489-1	rated load mechanical load	cycles	800000
		cycles	15000000
EMC compatibility			yes

### AC coil operating

Rated AC voltage at 60Hz	V	220
AC operating voltage		
of 60Hz coil powered at 60Hz		
pick-up	min	%Us 80
	max	%Us 110
drop-out	min	%Us 20
	max	%Us 55

AC average coil consumption at 20°C			
of 60Hz coil powered at 60Hz			
	in-rush holding	VA	300
		VA	20
Dissipation at holding ≤20°C 50Hz		W	6.5

### Max cycles frequency

Mechanical operation	cycles/h	1500
----------------------	----------	------

### Operating times

Average time for Us control			
in AC			
Closing NO	min	ms	16
	max	ms	32
Opening NO	min	ms	9
	max	ms	24

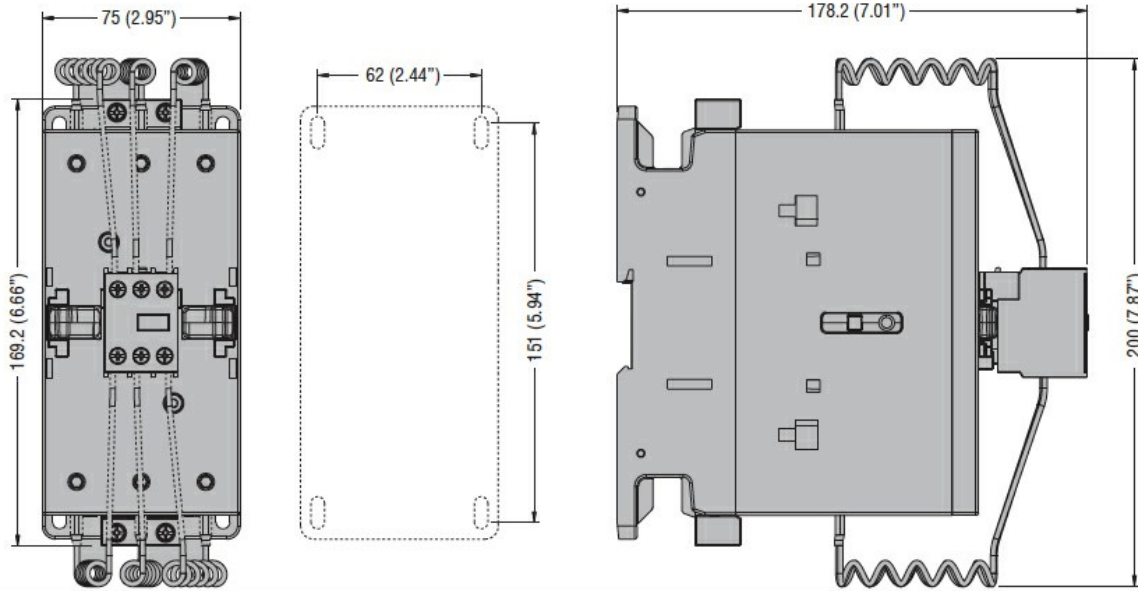
### UL technical data

Rated operational voltage AC (UL)	V	600	
General USE			
Contactor	AC current	A	165

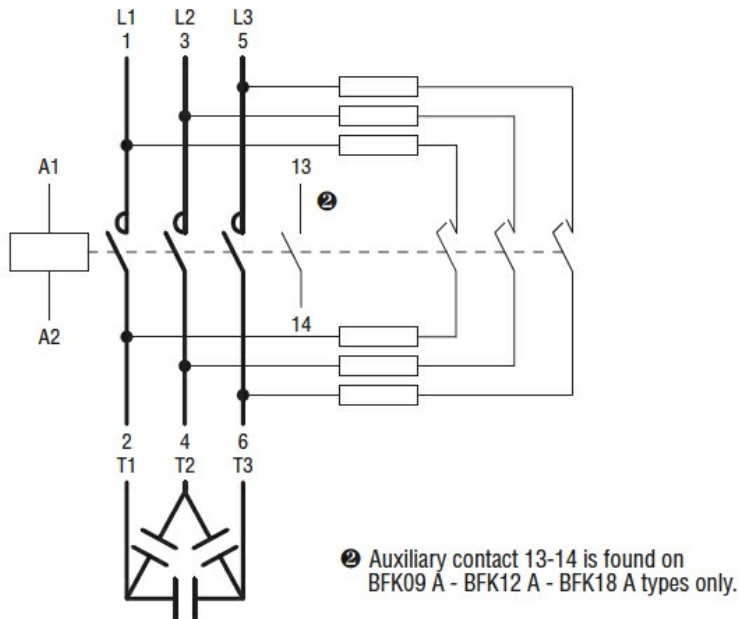
### Ambient conditions

Temperature			
Operating temperature	min	°C	-50
	max	°C	70
Storage temperature	min	°C	-60
	max	°C	80

Max altitude	m	3000
<b>Resistance &amp; Protection</b>		
Pollution degree		3
<b>Dimensions</b>		



**Wiring diagrams**



**Certifications and compliance**

**Compliance**

- CSA C22.2 n° 60947-1
- CSA C22.2 n° 60947-4-1
- IEC/EN/BS 60947-1
- IEC/EN/BS 60947-4-1
- UL 60947-1
- UL 60947-4-1

**Certificates**

- CCC
- cULus

**ETIM classification**

ETIM 8.0

EC001079 -  
Capacitor  
contactor