



### Contact characteristics

Number of poles	Nr.	4
Rated insulation voltage $U_i$ IEC/EN	V	1000
Rated impulse withstand voltage $U_{imp}$	kV	8
Operational frequency	min	Hz 25
	max	Hz 400
IEC Conventional free air thermal current $I_{th} \leq 40^\circ\text{C}$	A	115
Operational current $I_e$	AC-1 ( $\leq 40^\circ\text{C}$ )	A 115
	AC-1 ( $\leq 55^\circ\text{C}$ )	A 95
	AC-1 ( $\leq 70^\circ\text{C}$ )	A 80
	AC-3 ( $\leq 440\text{V} \leq 55^\circ\text{C}$ )	A 80
	AC-4 (400V)	A 38
Rated operational current AC-3 ( $T \leq 55^\circ\text{C}$ )	230V	A 80
	400V	A 80
	415V	A 80
	440V	A 80
	500V	A 78
	690V	A 57
	1000V	A 28
Rated operational power AC-1 ( $T \leq 40^\circ\text{C}$ )	230V	kW 43
	400V	kW 76
	500V	kW 95
	690V	kW 120
IEC max current $I_e$ in DC1 with $L/R \leq 1\text{ms}$ with 1 poles in series	$\leq 24\text{V}$	A 70
	48V	A 60
	75V	A 60
	110V	A 8
	220V	A –
IEC max current $I_e$ in DC1 with $L/R \leq 1\text{ms}$ with 2 poles in series	$\leq 24\text{V}$	A 100
	48V	A 100
	75V	A 100
	110V	A 80
	220V	A 9
IEC max current $I_e$ in DC1 with $L/R \leq 1\text{ms}$ with 3 poles in series	$\leq 24\text{V}$	A 100
	48V	A 100
	75V	A 100
	110V	A 85
	220V	A 95

IEC max current  $I_e$  in DC1 with  $L/R \leq 1\text{ms}$  with 4 poles in series

$\leq 24\text{V}$	A	100
48V	A	100
75V	A	100
110V	A	100
220V	A	115

IEC max current  $I_e$  in DC3-DC5 with  $L/R \leq 15\text{ms}$  with 1 poles in series

$\leq 24\text{V}$	A	40
48V	A	30
75V	A	30
110V	A	3
220V	A	–

IEC max current  $I_e$  in DC3-DC5 with  $L/R \leq 15\text{ms}$  with 2 poles in series

$\leq 24\text{V}$	A	60
48V	A	50
75V	A	50
110V	A	40
220V	A	5

IEC max current  $I_e$  in DC3-DC5 with  $L/R \leq 15\text{ms}$  with 3 poles in series

$\leq 24\text{V}$	A	80
48V	A	70
75V	A	70
110V	A	60
220V	A	64

IEC max current  $I_e$  in DC3-DC5 with  $L/R \leq 15\text{ms}$  with 4 poles in series

$\leq 24\text{V}$	A	90
48V	A	90
75V	A	90
110V	A	75
220V	A	80

Short-time allowable current for 10s (IEC/EN60947-1)

A	640
---	-----

Protection fuse

gG (IEC)	A	125
aM (IEC)	A	80

Making capacity (RMS value)

A	800
---	-----

Breaking capacity at voltage

440V	A	640
500V	A	625
690V	A	456

Resistance per pole (average value)

m $\Omega$	0.6
------------	-----

Power dissipation per pole (average value)

I <sub>th</sub>	W	7.9
AC-3	W	3.8

Tightening torque for terminals

min	Nm	4
max	Nm	5
min	I <sub>bin</sub>	2.95
max	I <sub>bin</sub>	3.69

Tightening torque for coil terminal

min	Nm	0.8
max	Nm	1
min	I <sub>bin</sub>	0.8
max	I <sub>bin</sub>	0.74

Max number of wires simultaneously connectable	Nr.	2	
Conductor section			
AWG/Kcmil	max	2	
Flexible w/o lug conductor section	min	mm <sup>2</sup>	1.5
	max	mm <sup>2</sup>	35
Flexible c/w lug conductor section	min	mm <sup>2</sup>	1.5
	max	mm <sup>2</sup>	35
Power terminal protection according to IEC/EN 60529		IP20 front	
<b>Mechanical features</b>			
Operating position	normal allowable	Vertical plan ±30°	
Fixing		Screw / DIN rail 35mm	
Weight	g	1240	
<b>Operations</b>			
Mechanical life	cycles	15000000	
Electrical life	cycles	1300000	
<b>Safety related data</b>			
Performance level B10d according to EN/ISO 13489-1	rated load mechanical load	cycles	1300000
		cycles	15000000
EMC compatibility		yes	
<b>AC coil operating</b>			
Rated AC voltage at 60Hz	V	575	
AC operating voltage			
of 60Hz coil powered at 60Hz			
pick-up	min	%Us	80
	max	%Us	110
drop-out	min	%Us	20
	max	%Us	55
AC average coil consumption at 20°C			
of 60Hz coil powered at 60Hz	in-rush holding	VA	210
		VA	15
Dissipation at holding ≤20°C 50Hz		W	5
<b>Max cycles frequency</b>			
Mechanical operation		cycles/h	3600
<b>Operating times</b>			
Average time for Us control			
in AC	Closing NO	min	ms 12
		max	ms 28
	Opening NO	min	ms 8
		max	ms 22
in DC			

Closing NO	min	ms	40
	max	ms	85
Opening NO	min	ms	20
	max	ms	55

**UL technical data**

Rated operational voltage AC (UL)	V	600
Full-load current (FLA) for three-phase AC motor		
	at 480V	A 77
	at 600V	A 77

Yielded mechanical performance for three-phase AC motor			
	200/208V	HP	25
	220/240V	HP	30
	460/480V	HP	60
	575/600V	HP	75

**General USE**

Contactor	AC current	A	115
-----------	------------	---	-----

Short-circuit protection fuse, 600V			
High fault			
	Short circuit current	kA	100
	Fuse rating	A	200
	Fuse class		J
Standard fault			
	Short circuit current	kA	10
	Fuse rating	A	200
	Fuse class		RK5

**Ambient conditions**

**Temperature**

Operating temperature			
	min	°C	-50
	max	°C	70

Storage temperature			
	min	°C	-60
	max	°C	80

Max altitude	m	3000
--------------	---	------

**Resistance & Protection**

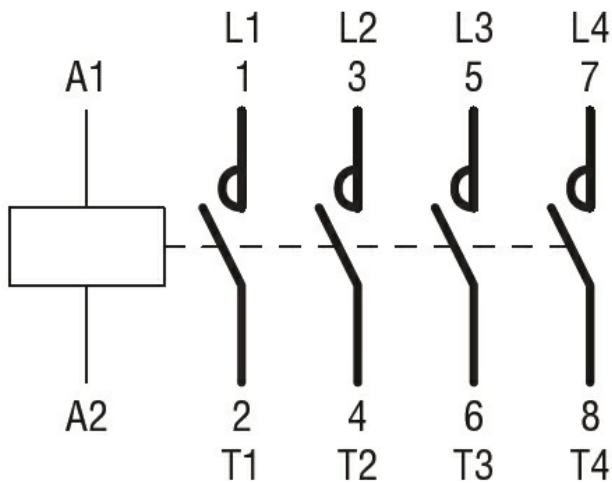
Pollution degree	3
------------------	---

**Dimensions**



① BF80T2 82mm/3.23"

### Wiring diagrams



### Certifications and compliance

#### Compliance

CSA C22.2 n° 60947-1  
CSA C22.2 n° 60947-4-1  
IEC/EN 60335-2-89  
IEC/EN/BS 60947-1  
IEC/EN/BS 60947-4-1  
UL 60947-1  
UL 60947-4-1

#### Certificates

CCC  
CSA C22.2 n. 60335-2-40:22 LZGH A2L  
CSA C22.2 No. 60335-2-89:21 LZGH A2L  
cULus  
UL 60335-2-40 LZGH A2L  
UL 60335-2-89 LZGH A2L

ETIM classification

ETIM 8.0

EC000066 -  
Power contactor,  
AC switching