



Contact characteristics			
Number of poles	Nr.		4
Rated insulation voltage U _i IEC/EN	V		1000
Rated impulse withstand voltage U _{imp}	kV		8
Operational frequency	min	Hz	25
	max	Hz	400
IEC Conventional free air thermal current I _{th} ≤ 40°C	A		115
Operational current I _e	AC-1 (≤40°C)	A	115
	AC-1 (≤55°C)	A	95
	AC-1 (≤70°C)	A	80
	AC-3 (≤440V ≤55°C)	A	80
	AC-4 (400V)	A	38
Rated operational current AC-3 (T≤55°C)	230V	A	80
	400V	A	80
	415V	A	80
	440V	A	80
	500V	A	78
	690V	A	57
	1000V	A	28
Rated operational power AC-1 (T≤40°C)	230V	kW	43
	400V	kW	76
	500V	kW	95
	690V	kW	120
Short-time allowable current for 10s (IEC/EN60947-1)	A		640
Protection fuse	gG (IEC)	A	125
	aM (IEC)	A	80
Making capacity (RMS value)	A		800
Breaking capacity at voltage	440V	A	640
	500V	A	625
	690V	A	456
Resistance per pole (average value)	mΩ		0.6
Power dissipation per pole (average value)	I _{th}	W	7.9
	AC-3	W	3.8
Tightening torque for terminals	min	Nm	4
	max	Nm	5
	min	lbin	2.95
	max	lbin	3.69

Tightening torque for coil terminal

min	Nm	0.8
max	Nm	1
min	Ibin	0.8
max	Ibin	0.74

Max number of wires simultaneously connectable

Nr.	2
-----	---

Conductor section

AWG/Kcmil

max	2
-----	---

Flexible w/o lug conductor section

min	mm ²	1.5
max	mm ²	35

Flexible c/w lug conductor section

min	mm ²	1.5
max	mm ²	35

Power terminal protection according to IEC/EN 60529

IP20 front

Mechanical features

Operating position

normal allowable	Vertical plan ±30°
------------------	--------------------

Fixing

Screw / DIN rail
35mm

Weight

g 13429

Operations

Mechanical life

cycles 15000000

Electrical life

cycles 1300000

Safety related data

Performance level B10d according to EN/ISO 13489-1

rated load	cycles	1300000
mechanical load	cycles	15000000

EMC compatibility

yes

AC coil operating

Rated AC voltage at 50/60Hz, 60Hz

min	V	100
max	V	250

AC operating voltage

of 50/60Hz coil powered at 50Hz
pick-up

min	%Us	80 Us min
max	%Us	110 Us max

drop-out

max	%Us	≤70 Us min
-----	-----	------------

of 50/60Hz coil powered at 60Hz
pick-up

min	%Us	80 Us min
max	%Us	110 Us max

drop-out

max	%Us	≤70 Us min
-----	-----	------------

AC average coil consumption at 20°C

of 50/60Hz coil powered at 50Hz

in-rush	VA	90
holding	VA	2.7

of 50/60Hz coil powered at 60Hz

	in-rush	VA	90
	holding	VA	2.7
of 60Hz coil powered at 60Hz			
	in-rush	VA	90
	holding	VA	2.7
Dissipation at holding $\leq 20^{\circ}\text{C}$ 50Hz		W	1...2.5
DC coil operating			
DC rated control voltage			
	min	V	100
	max	V	250
max		V	250
DC operating voltage			
pick-up			
	min	%Us	80 Us min
	max	%Us	110 Us max
drop-out			
	max	%Us	≤ 70 Us min
Average coil consumption $\leq 20^{\circ}\text{C}$			
	in-rush	W	67
	holding	W	1.3
Max cycles frequency			
Mechanical operation		cycles/h	1500
Operating times			
Average time for Us control			
in AC			
Closing NO	min	ms	12
	max	ms	28
Opening NO	min	ms	8
	max	ms	22
in DC			
Closing NO	min	ms	40
	max	ms	85
Opening NO	min	ms	20
	max	ms	55
UL technical data			
Rated operational voltage AC (UL)		V	600
Full-load current (FLA) for three-phase AC motor			
	at 480V	A	77
	at 600V	A	77
Yielded mechanical performance			
for three-phase AC motor			
	200/208V	HP	25
	220/240V	HP	30
	460/480V	HP	60
	575/600V	HP	75
General USE			
Contactor			
	AC current	A	115
Ambient conditions			
Temperature			

Operating temperature

min	°C	-40
max	°C	70

Storage temperature

min	°C	-50
max	°C	80

Max altitude

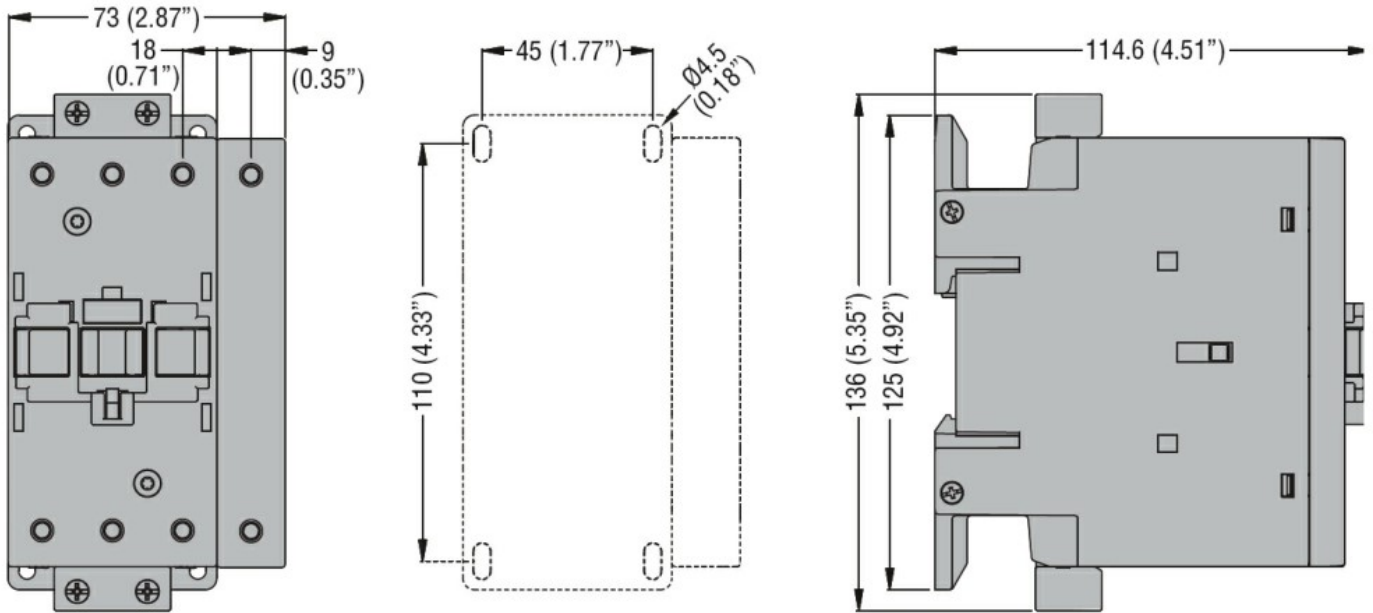
m 3000

Resistance & Protection

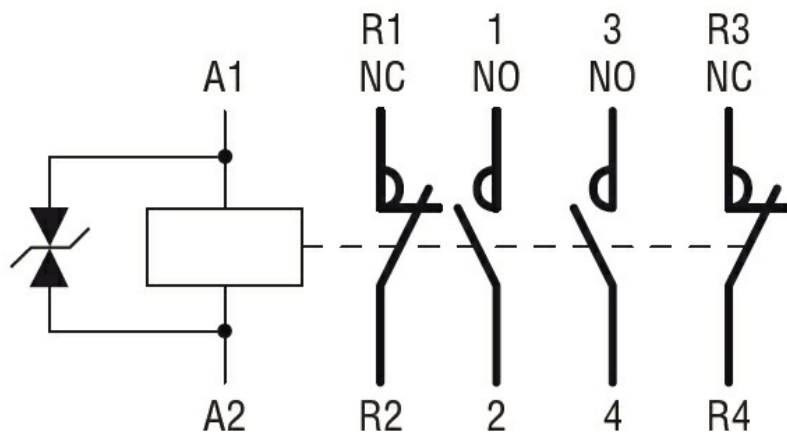
Pollution degree

3

Dimensions



Wiring diagrams



Certifications and compliance

Compliance

CSA C22.2 n° 60947-1

CSA C22.2 n° 60947-4-1

IEC/EN 60335-2-89

IEC/EN/BS 60947-1

IEC/EN/BS 60947-4-1

UL 60947-1

UL 60947-4-1

Certificates

CCC

CSA C22.2 n. 60335-2-40:22 LZGH A2L

CSA C22.2 No. 60335-2-89:21 LZGH A2L

cULus

UL 60335-2-40 LZGH A2L

UL 60335-2-89 LZGH A2L

ETIM classification

ETIM 8.0

EC000066 -
Power contactor,
AC switching