



Contact characteristics

Number of poles	Nr.	4
Rated insulation voltage U _i IEC/EN	V	1000
Rated impulse withstand voltage U _{imp}	kV	8
Operational frequency	min	Hz 25
	max	Hz 400
IEC Conventional free air thermal current I _{th} ≤ 40°C	A	115
Operational current I _e	AC-1 (≤40°C)	A 115
	AC-1 (≤55°C)	A 95
	AC-1 (≤70°C)	A 80
	AC-3 (≤440V ≤55°C)	A 80
	AC-4 (400V)	A 38
Rated operational current AC-3 (T≤55°C)	230V	A 80
	400V	A 80
	415V	A 80
	440V	A 80
	500V	A 78
	690V	A 57
	1000V	A 28
Rated operational power AC-1 (T≤40°C)	230V	kW 43
	400V	kW 76
	500V	kW 95
	690V	kW 120
Short-time allowable current for 10s (IEC/EN60947-1)	A	640
Protection fuse	gG (IEC)	A 125
	aM (IEC)	A 80
Making capacity (RMS value)	A	800
Breaking capacity at voltage	440V	A 640
	500V	A 625
	690V	A 456
Resistance per pole (average value)	mΩ	0.6
Power dissipation per pole (average value)	I _{th}	W 7.9
	AC-3	W 3.8
Tightening torque for terminals	min	Nm 4
	max	Nm 5
	min	lbin 2.95
	max	lbin 3.69

Tightening torque for coil terminal

min	Nm	0.8
max	Nm	1
min	Ibin	0.8
max	Ibin	0.74

Max number of wires simultaneously connectable

Nr.	2
-----	---

Conductor section

AWG/Kcmil

max	2
-----	---

Flexible w/o lug conductor section

min	mm ²	1.5
max	mm ²	35

Flexible c/w lug conductor section

min	mm ²	1.5
max	mm ²	35

Power terminal protection according to IEC/EN 60529

IP20 front

Mechanical features

Operating position

normal allowable	Vertical plan ±30°
------------------	-----------------------

Fixing

Screw / DIN rail
35mm

Weight

g	1360
---	------

Operations

Mechanical life

cycles	15000000
--------	----------

Electrical life

cycles	1300000
--------	---------

Safety related data

Performance level B10d according to EN/ISO 13489-1

rated load	cycles	1300000
mechanical load	cycles	15000000

EMC compatibility

yes

AC coil operating

Rated AC voltage at 50/60Hz

V	24
---	----

AC operating voltage

of 50/60Hz coil powered at 50Hz
pick-up

min	%Us	80
max	%Us	110

drop-out

min	%Us	20
max	%Us	55

of 50/60Hz coil powered at 60Hz
pick-up

min	%Us	85
max	%Us	110

drop-out

min	%Us	40
max	%Us	55

AC average coil consumption at 20°C

of 50/60Hz coil powered at 50Hz

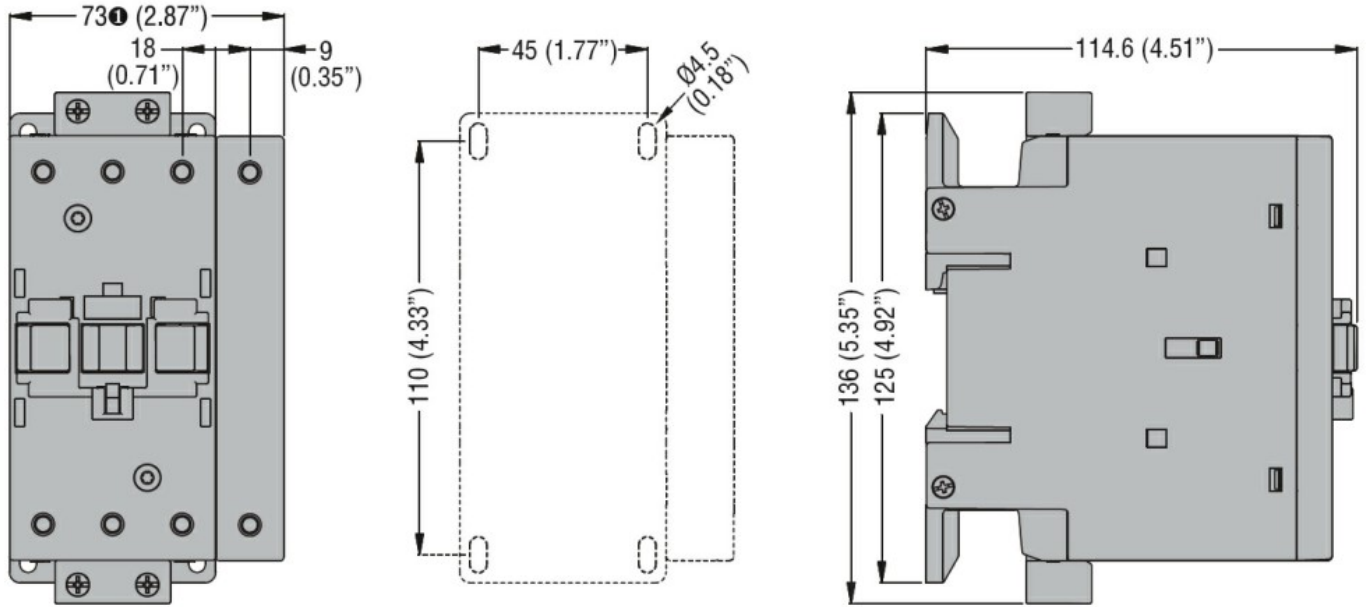
in-rush	VA	210
holding	VA	15

of 50/60Hz coil powered at 60Hz

in-rush	VA	195
---------	----	-----

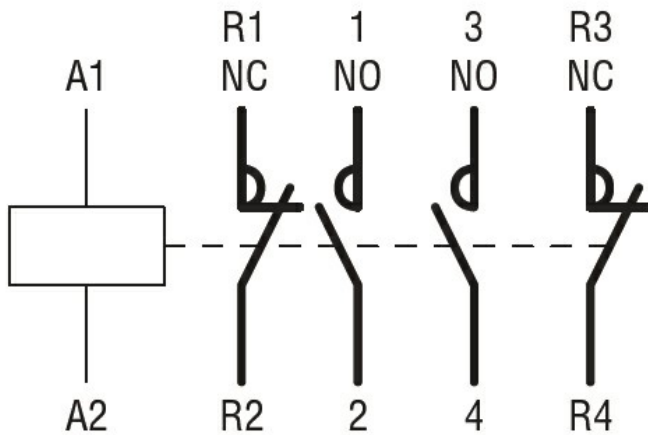
	holding	VA	13
of 60Hz coil powered at 60Hz			
	in-rush	VA	210
	holding	VA	15
Dissipation at holding ≤20°C 50Hz		W	5
Max cycles frequency			
Mechanical operation		cycles/h	3600
Operating times			
Average time for Us control			
in AC			
	Closing NO	min	ms 12
		max	ms 28
	Opening NO	min	ms 8
		max	ms 22
	Closing NC	min	ms 11
		max	ms 29
	Opening NC	min	ms 6
		max	ms 14
in DC			
	Closing NO	min	ms 40
		max	ms 85
	Opening NO	min	ms 20
		max	ms 55
UL technical data			
Rated operational voltage AC (UL)		V	600
Full-load current (FLA) for three-phase AC motor			
	at 480V	A	77
	at 600V	A	77
Yielded mechanical performance			
for three-phase AC motor			
	200/208V	HP	25
	220/240V	HP	30
	460/480V	HP	60
	575/600V	HP	75
General USE			
Contactor			
	AC current	A	115
Ambient conditions			
Temperature			
Operating temperature			
	min	°C	-50
	max	°C	70
Storage temperature			
	min	°C	-60
	max	°C	80
Max altitude		m	3000
Resistance & Protection			
Pollution degree			3

Dimensions



① BF80T2 82mm/3.23"

Wiring diagrams



Certifications and compliance

Compliance

CSA C22.2 n° 60947-1

CSA C22.2 n° 60947-4-1

IEC/EN 60335-2-89

IEC/EN/BS 60947-1

IEC/EN/BS 60947-4-1

UL 60947-1

UL 60947-4-1

Certificates

CCC

CSA C22.2 n. 60335-2-40:22 LZGH A2L

CSA C22.2 No. 60335-2-89:21 LZGH A2L

cULus

UL 60335-2-40 LZGH A2L

UL 60335-2-89 LZGH A2L

ETIM classification

ETIM 8.0

EC000066 -
Power contactor,
AC switching