



### Contact characteristics

Number of poles	Nr.	3
Rated insulation voltage U <sub>i</sub> IEC/EN	V	1000
Rated impulse withstand voltage U <sub>imp</sub>	kV	8
Operational frequency	min	Hz 25
	max	Hz 400
IEC Conventional free air thermal current I <sub>th</sub> ≤ 40°C	A	115
Operational current I <sub>e</sub>	AC-1 (≤40°C)	A 115
	AC-1 (≤55°C)	A 95
	AC-1 (≤70°C)	A 80
	AC-3 (≤440V ≤55°C)	A 80
	AC-4 (400V)	A 38
Rated operational power AC-3 (T≤55°C)	230V	kW 22
	400V	kW 45
	415V	kW 45
	440V	kW 45
	500V	kW 55
	690V	kW 55
	1000V	kW 37
Rated operational current AC-3 (T≤55°C)	230V	A 80
	400V	A 80
	415V	A 80
	440V	A 80
	500V	A 78
	690V	A 57
	1000V	A 28
Rated operational power AC-1 (T≤40°C)	230V	kW 43
	400V	kW 76
	500V	kW 95
	690V	kW 120
IEC max current I <sub>e</sub> in DC1 with L/R ≤ 1ms with 1 poles in series	≤24V	A 70
	48V	A 60
	75V	A 60
	110V	A 8
	220V	A –
IEC max current I <sub>e</sub> in DC1 with L/R ≤ 1ms with 2 poles in series	≤24V	A 100
	48V	A 100
	75V	A 100

	110V	A	80
	220V	A	9
<hr/>			
IEC max current I <sub>e</sub> in DC1 with L/R ≤ 1ms with 3 poles in series			
	≤24V	A	100
	48V	A	100
	75V	A	100
	110V	A	85
	220V	A	95
<hr/>			
IEC max current I <sub>e</sub> in DC1 with L/R ≤ 1ms with 4 poles in series			
	≤24V	A	100
	48V	A	100
	75V	A	100
	110V	A	100
	220V	A	115
<hr/>			
IEC max current I <sub>e</sub> in DC3-DC5 with L/R ≤ 15ms with 1 poles in series			
	≤24V	A	40
	48V	A	30
	75V	A	30
	110V	A	3
	220V	A	–
<hr/>			
IEC max current I <sub>e</sub> in DC3-DC5 with L/R ≤ 15ms with 2 poles in series			
	≤24V	A	60
	48V	A	50
	75V	A	50
	110V	A	40
	220V	A	5
<hr/>			
IEC max current I <sub>e</sub> in DC3-DC5 with L/R ≤ 15ms with 3 poles in series			
	≤24V	A	80
	48V	A	70
	75V	A	70
	110V	A	60
	220V	A	64
<hr/>			
IEC max current I <sub>e</sub> in DC3-DC5 with L/R ≤ 15ms with 4 poles in series			
	≤24V	A	90
	48V	A	90
	75V	A	90
	110V	A	75
	220V	A	80
<hr/>			
Short-time allowable current for 10s (IEC/EN60947-1)		A	640
<hr/>			
Protection fuse			
	gG (IEC)	A	125
	aM (IEC)	A	80
<hr/>			
Making capacity (RMS value)		A	800
<hr/>			
Breaking capacity at voltage			
	440V	A	640
	500V	A	625
	690V	A	456
<hr/>			
Resistance per pole (average value)		mΩ	0.6
<hr/>			
Power dissipation per pole (average value)			
	I <sub>th</sub>	W	7.9
	AC-3	W	3.8
<hr/>			
Tightening torque for terminals			
	min	Nm	4

		max	Nm	5
		min	Ibin	2.95
		max	Ibin	3.69
<hr/>				
Tightening torque for coil terminal				
		min	Nm	0.8
		max	Nm	1
		min	Ibin	0.8
		max	Ibin	0.74
<hr/>				
Max number of wires simultaneously connectable				
			Nr.	2
<hr/>				
Conductor section				
	AWG/Kcmil			
		max		2
<hr/>				
Flexible w/o lug conductor section				
		min	mm <sup>2</sup>	1.5
		max	mm <sup>2</sup>	35
<hr/>				
Flexible c/w lug conductor section				
		min	mm <sup>2</sup>	1.5
		max	mm <sup>2</sup>	35
<hr/>				
Power terminal protection according to IEC/EN 60529				
				IP20 front
<hr/>				
<b>Mechanical features</b>				
Operating position				
		normal allowable		Vertical plan ±30°
<hr/>				
Fixing				
				Screw / DIN rail 35mm
<hr/>				
Weight				
			g	1020
<hr/>				
<b>Operations</b>				
Mechanical life				
			cycles	15000000
Electrical life				
			cycles	1300000
<hr/>				
<b>Safety related data</b>				
Performance level B10d according to EN/ISO 13489-1				
		rated load	cycles	1300000
		mechanical load	cycles	15000000
<hr/>				
EMC compatibility				
				yes
<hr/>				
<b>AC coil operating</b>				
Rated AC voltage at 60Hz				
			V	230
<hr/>				
AC operating voltage				
	of 60Hz coil powered at 60Hz			
	pick-up	min	%Us	80
		max	%Us	110
	drop-out	min	%Us	20
		max	%Us	55
<hr/>				
AC average coil consumption at 20°C				
	of 60Hz coil powered at 60Hz			
		in-rush	VA	210
		holding	VA	15
<hr/>				
Dissipation at holding ≤20°C 50Hz				
			W	5
<hr/>				
<b>Max cycles frequency</b>				
Mechanical operation				
			cycles/h	3600
<hr/>				
<b>Operating times</b>				
Average time for Us control				

in AC		Closing NO		min	ms	12
				max	ms	28
		Opening NO		min	ms	8
				max	ms	22
in DC		Closing NO		min	ms	40
				max	ms	85
		Opening NO		min	ms	20
				max	ms	55

**UL technical data**

Rated operational voltage AC (UL)	V	600
-----------------------------------	---	-----

Full-load current (FLA) for three-phase AC motor	at 480V	A	77
	at 600V	A	77

Yielded mechanical performance for three-phase AC motor			
200/208V	HP	25	
220/240V	HP	30	
460/480V	HP	60	
575/600V	HP	75	

General USE			
Contactor	AC current	A	115

Short-circuit protection fuse, 600V			
High fault			
Short circuit current	kA	100	
Fuse rating	A	200	
Fuse class		J	
Standard fault			
Short circuit current	kA	10	
Fuse rating	A	200	
Fuse class		RK5	

**Ambient conditions**

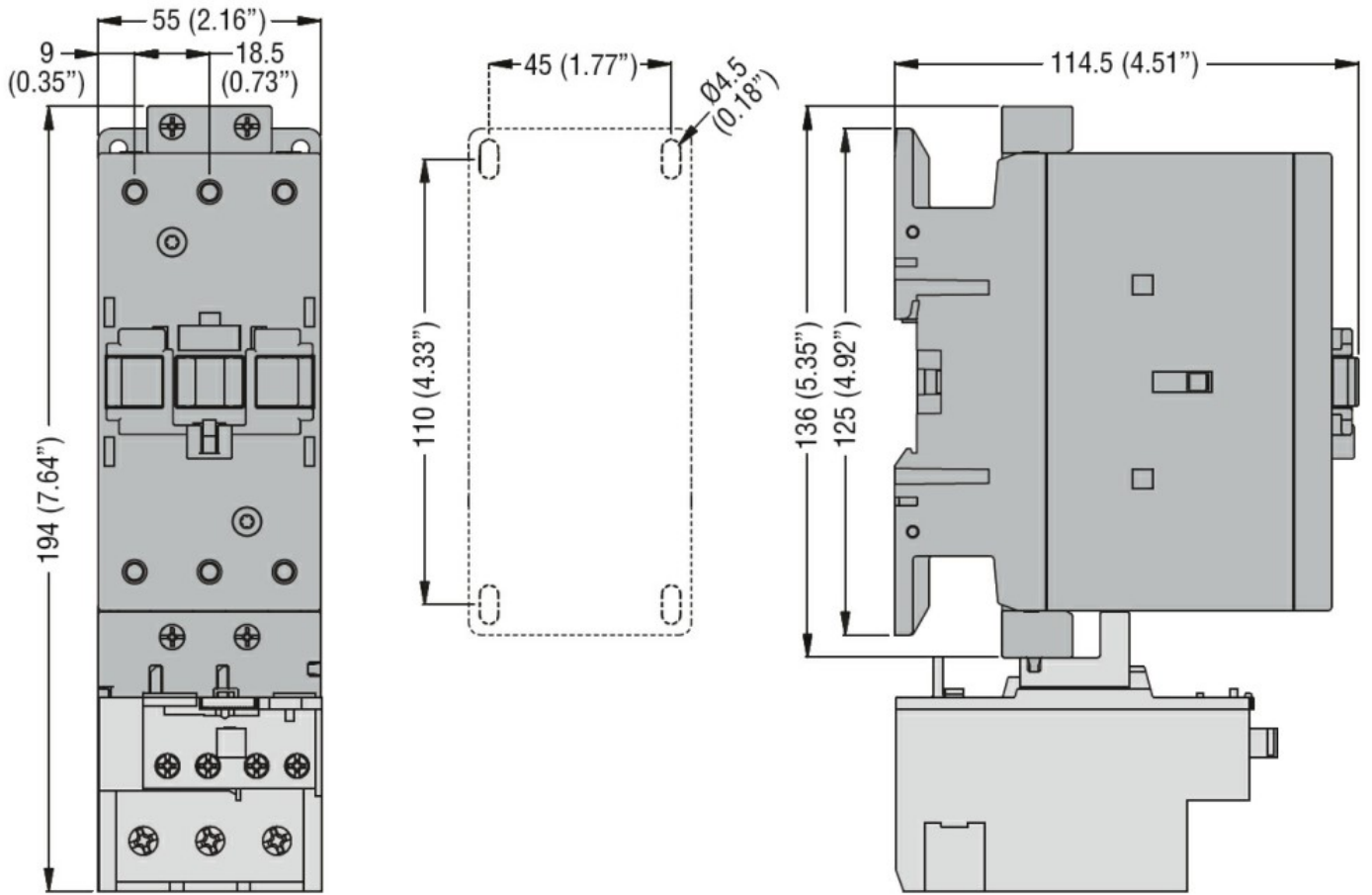
Temperature			
Operating temperature			
min	°C	-50	
max	°C	70	
Storage temperature			
min	°C	-60	
max	°C	80	

Max altitude	m	3000
--------------	---	------

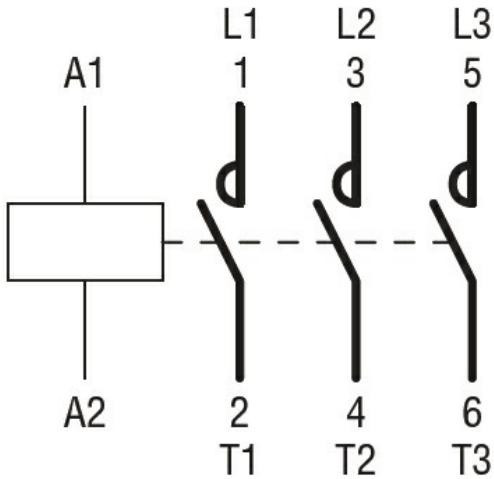
**Resistance & Protection**

Pollution degree	3
------------------	---

**Dimensions**



### Wiring diagrams



### Certifications and compliance

#### Compliance

- CSA C22.2 n° 60947-1
- CSA C22.2 n° 60947-4-1
- IEC/EN 60335-2-89
- IEC/EN/BS 60947-1
- IEC/EN/BS 60947-4-1
- UL 60947-1
- UL 60947-4-1

#### Certificates

CCC

CSA C22.2 n. 60335-2-40:22 LZGH A2L

CSA C22.2 No. 60335-2-89:21 LZGH A2L

cULus

UL 60335-2-40 LZGH A2L

UL 60335-2-89 LZGH A2L

ETIM classification

ETIM 8.0

EC000066 -  
Power contactor,  
AC switching