



Contact characteristics

Number of poles	Nr.	3
Rated insulation voltage U_i IEC/EN	V	690
Rated impulse withstand voltage U_{imp}	kV	6
Operational frequency	min	Hz 25
	max	Hz 400
IEC Conventional free air thermal current $I_{th} \leq 40^\circ\text{C}$	A	32
Operational current I_e	AC-1 ($\leq 40^\circ\text{C}$)	A 32
	AC-1 ($\leq 55^\circ\text{C}$)	A 26
	AC-1 ($\leq 70^\circ\text{C}$)	A 23
	AC-3 ($\leq 440\text{V} \leq 55^\circ\text{C}$)	A 25
	AC-4 (400V)	A 10
Rated operational power AC-3 ($T \leq 55^\circ\text{C}$)	230V	kW 7
	400V	kW 12.5
	415V	kW 13.4
	440V	kW 13.4
	500V	kW 15
	690V	kW 11
Rated operational power AC-1 ($T \leq 40^\circ\text{C}$)	230V	kW 12
	400V	kW 21
	500V	kW 26
	690V	kW 36
IEC max current I_e in DC1 with $L/R \leq 1\text{ms}$ with 1 poles in series	$\leq 24\text{V}$	A 20
	48V	A 18
	75V	A 18
	110V	A 6
	220V	A –
IEC max current I_e in DC1 with $L/R \leq 1\text{ms}$ with 2 poles in series	$\leq 24\text{V}$	A 23
	48V	A 23
	75V	A 23
	110V	A 16
	220V	A 1
IEC max current I_e in DC1 with $L/R \leq 1\text{ms}$ with 3 poles in series	$\leq 24\text{V}$	A 23
	48V	A 23
	75V	A 23
	110V	A 18
	220V	A 12
IEC max current I_e in DC1 with $L/R \leq 1\text{ms}$ with 4 poles in series	$\leq 24\text{V}$	A 23
	48V	A 23
	75V	A 23
	110V	A 18

	≤24V	A	–
	48V	A	–
	75V	A	–
	110V	A	–
	220V	A	–
<hr/>			
IEC max current Ie in DC3-DC5 with L/R ≤ 15ms with 1 poles in series	≤24V	A	15
	48V	A	13
	75V	A	13
	110V	A	2
	220V	A	–
<hr/>			
IEC max current Ie in DC3-DC5 with L/R ≤ 15ms with 2 poles in series	≤24V	A	18
	48V	A	18
	75V	A	16
	110V	A	10
	220V	A	2
<hr/>			
IEC max current Ie in DC3-DC5 with L/R ≤ 15ms with 3 poles in series	≤24V	A	22
	48V	A	22
	75V	A	18
	110V	A	15
	220V	A	8
<hr/>			
IEC max current Ie in DC3-DC5 with L/R ≤ 15ms with 4 poles in series	≤24V	A	–
	48V	A	–
	75V	A	–
	110V	A	–
	220V	A	–
<hr/>			
Short-time allowable current for 10s (IEC/EN60947-1)		A	200
<hr/>			
Protection fuse	gG (IEC)	A	50
	aM (IEC)	A	25
<hr/>			
Making capacity (RMS value)		A	250
<hr/>			
Breaking capacity at voltage	440V	A	200
	500V	A	184
	690V	A	102
<hr/>			
Resistance per pole (average value)		mΩ	2.5
<hr/>			
Power dissipation per pole (average value)	Ith	W	2.6
	AC-3	W	1.6
<hr/>			
Tightening torque for terminals	min	Nm	1.5
	max	Nm	1.8
	min	Ibin	1.1
	max	Ibin	1.5
<hr/>			
Tightening torque for coil terminal	min	Nm	0.8
	max	Nm	1
	min	Ibin	0.8
	max	Ibin	0.74
<hr/>			
Max number of wires simultaneously connectable		Nr.	2

Conductor section			
AWG/Kcmil		max	10
Flexible w/o lug conductor section			
		min	mm ² 1
		max	mm ² 6
Flexible c/w lug conductor section			
		min	mm ² 1
		max	mm ² 4
Flexible with insulated spade lug conductor section			
		min	mm ² 1
		max	mm ² 6
Power terminal protection according to IEC/EN 60529			IP20 when properly wired
Cable stripping length			
	main circuit	mm	10
	command circuit	mm	8
Mechanical features			
Operating position			
	normal allowable		Vertical plan ±30°
Fixing			Screw / DIN rail 35mm
Weight		g	500
Auxiliary contact characteristics			
Thermal current I _{th}		A	10
IEC/EN 60947-5-1 designation			A600 - P600
Operating current AC15			
	230V	A	3
	400V	A	1.9
	500V	A	1.4
Operating current DC12			
	110V	A	5.7
Operating current DC13			
	24V	A	5.7
	48V	A	2.9
	60V	A	2.3
	110V	A	1.25
	125V	A	1.1
	220V	A	0.55
	600V	A	0.2
Operations			
Mechanical life		cycles	2000000
Electrical life		cycles	120000
Safety related data			
Performance level B10d according to EN/ISO 13489-1			
	rated load	cycles	120000
	mechanical load	cycles	2000000
EMC compatibility			yes
AC coil operating			
AC operating voltage			
	of 50/60Hz coil powered at 50Hz drop-out		

			max	%Us	55
DC coil operating					
DC rated control voltage				V	48
DC operating voltage					
	pick-up		min	%Us	80
			max	%Us	110
	drop-out		min	%Us	10
			max	%Us	40
Average coil consumption $\leq 20^{\circ}\text{C}$					
		in-rush	W		2.4
		holding	W		2.4
Max cycles frequency					
Mechanical operation				cycles/h	3600
Operating times					
Average time for Us control					
	in AC				
		Closing NO	min	ms	8
			max	ms	24
		Opening NO	min	ms	10
			max	ms	20
		Closing NC	min	ms	14
			max	ms	28
		Opening NC	min	ms	7
			max	ms	18
	in DC				
		Closing NO	min	ms	75
			max	ms	91
		Opening NO	min	ms	15
			max	ms	19
UL technical data					
Rated operational voltage AC (UL)				V	600
Full-load current (FLA) for three-phase AC motor					
		at 480V	A		21
		at 600V	A		17
Yielded mechanical performance					
	for single-phase AC motor				
		110/120V	HP		2
		230V	HP		3
	for three-phase AC motor				
		200/208V	HP		7.5
		220/240V	HP		7.5
		460/480V	HP		15
		575/600V	HP		15
General USE					
	Contactor				
		AC current	A		32

Auxiliary contacts

AC voltage	V	600
AC current	A	10
DC voltage	V	250
DC current	A	1

Short-circuit protection fuse, 600V

High fault

Short circuit current	kA	100
Fuse rating	A	60
Fuse class		J

Standard fault

Short circuit current	kA	5
Fuse rating	A	100

Contact rating of auxiliary contacts according to UL

A600 - P600

Ambient conditions

Temperature

Operating temperature

min	°C	-50
max	°C	70

Storage temperature

min	°C	-60
max	°C	80

Max altitude

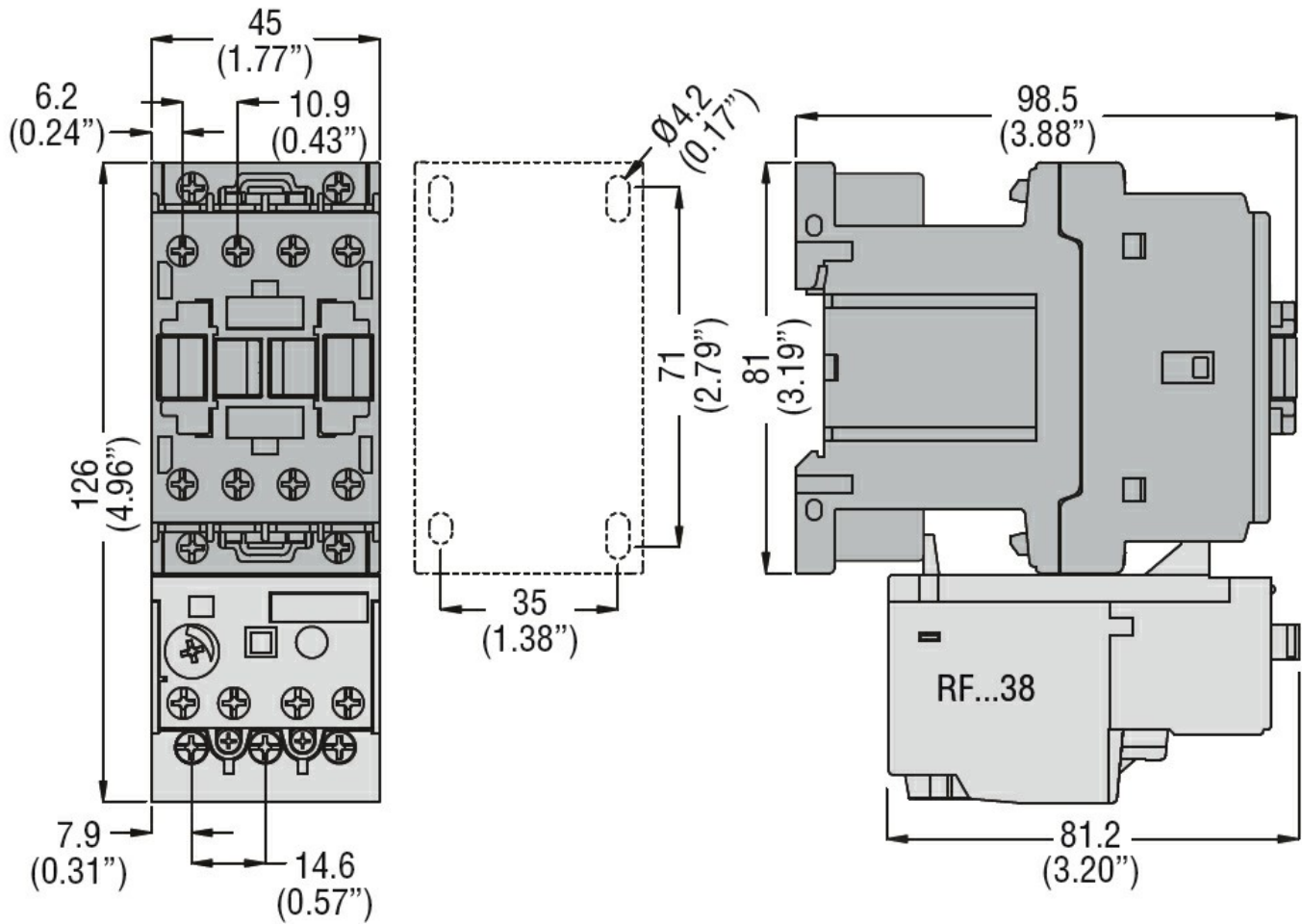
m 3000

Resistance & Protection

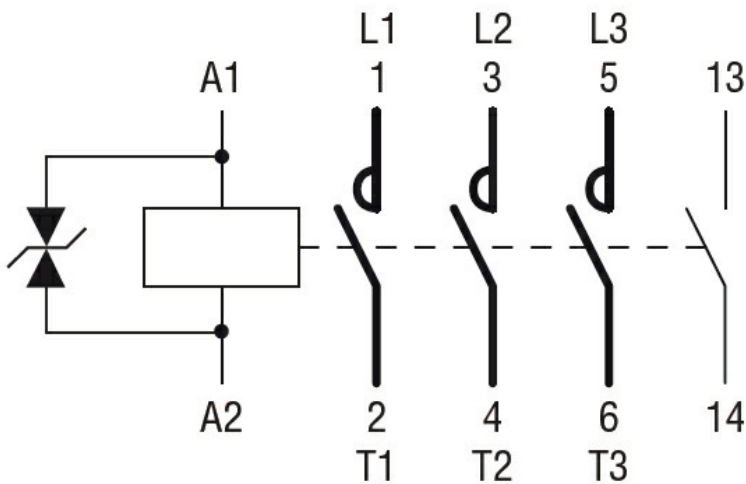
Pollution degree

3

Dimensions



Wiring diagrams



Certifications and compliance

Compliance

- CSA C22.2 n° 60947-1
- CSA C22.2 n° 60947-4-1
- IEC/EN 60335-2-89
- IEC/EN/BS 60947-1
- IEC/EN/BS 60947-4-1
- UL 60947-1
- UL 60947-4-1

Certificates

CCC

CSA C22.2 n. 60335-2-40:22 LZGH A2L

CSA C22.2 No. 60335-2-89:21 LZGH A2L

cULus

EAC

UL 60335-2-40 LZGH A2L

UL 60335-2-89 LZGH A2L

ETIM classification

ETIM 8.0

EC000066 -
Power contactor,
AC switching