



Contact characteristics

Number of poles	Nr.	4
Rated insulation voltage U _i IEC/EN	V	690
Rated impulse withstand voltage U _{imp}	kV	6
Operational frequency	min	Hz 25
	max	Hz 400
IEC Conventional free air thermal current I _{th} ≤ 40°C	A	32
Operational current I _e	AC-1 (≤40°C)	A 32
	AC-1 (≤55°C)	A 26
	AC-1 (≤70°C)	A 23
	AC-3 (≤440V ≤55°C)	A 18
	AC-4 (400V)	A 8.5
Rated operational power AC-1 (T≤40°C)	230V	kW 12
	400V	kW 21
	500V	kW 26
	690V	kW 36
Short-time allowable current for 10s (IEC/EN60947-1)	A	200
Protection fuse	gG (IEC)	A 32
	aM (IEC)	A 20
Making capacity (RMS value)	A	180
Breaking capacity at voltage	440V	A 144
	500V	A 120
	690V	A 94
Resistance per pole (average value)	mΩ	2.5
Power dissipation per pole (average value)	I _{th}	W 2.6
	AC-3	W 0.8
Tightening torque for terminals	min	Nm 1.5
	max	Nm 1.8
	min	I _{bin} 1.1
	max	I _{bin} 1.5
Tightening torque for coil terminal	min	Nm 0.8
	max	Nm 1
	min	I _{bin} 0.8
	max	I _{bin} 0.74
Max number of wires simultaneously connectable	Nr.	2
Conductor section	AWG/Kcmil	

		max		10
Flexible w/o lug conductor section		min	mm ²	1
		max	mm ²	6
Flexible c/w lug conductor section		min	mm ²	1
		max	mm ²	4
Flexible with insulated spade lug conductor section		min	mm ²	1
		max	mm ²	6
Power terminal protection according to IEC/EN 60529				IP20 when properly wired
Cable stripping length				
	main circuit	mm		10
	command circuit	mm		8
Mechanical features				
Operating position		normal allowable		Vertical plan ±30°
Fixing				Screw / DIN rail 35mm
Weight			g	362
Operations				
Mechanical life			cycles	20000000
Electrical life			cycles	1600000
Safety related data				
Performance level B10d according to EN/ISO 13489-1				
	rated load	cycles		1600000
	mechanical load	cycles		20000000
EMC compatibility				yes
AC coil operating				
Rated AC voltage at 60Hz		V		48
AC operating voltage				
	of 60Hz coil powered at 60Hz			
	pick-up	min	%Us	80
		max	%Us	110
	drop-out	min	%Us	20
		max	%Us	55
AC average coil consumption at 20°C				
	of 60Hz coil powered at 60Hz			
		in-rush	VA	75
		holding	VA	9
Dissipation at holding ≤20°C 50Hz			W	2.5
Max cycles frequency				
Mechanical operation			cycles/h	3600
Operating times				
Average time for Us control				
	in AC			
	Closing NO	min	ms	8
		max	ms	24
	Opening NO			

Closing NC	min	ms	10
	max	ms	20
Opening NC	min	ms	14
	max	ms	28
	min	ms	7
	max	ms	18

UL technical data

Rated operational voltage AC (UL) V 600

Full-load current (FLA) for three-phase AC motor

at 480V	A	14
at 600V	A	17

Yielded mechanical performance

for single-phase AC motor

110/120V	HP	1
230V	HP	3

for three-phase AC motor

200/208V	HP	5
220/240V	HP	5
460/480V	HP	10
575/600V	HP	15

General USE

Contactor

AC current	A	32
------------	---	----

Ambient conditions

Temperature

Operating temperature

min	°C	-50
max	°C	70

Storage temperature

min	°C	-60
max	°C	80

Max altitude

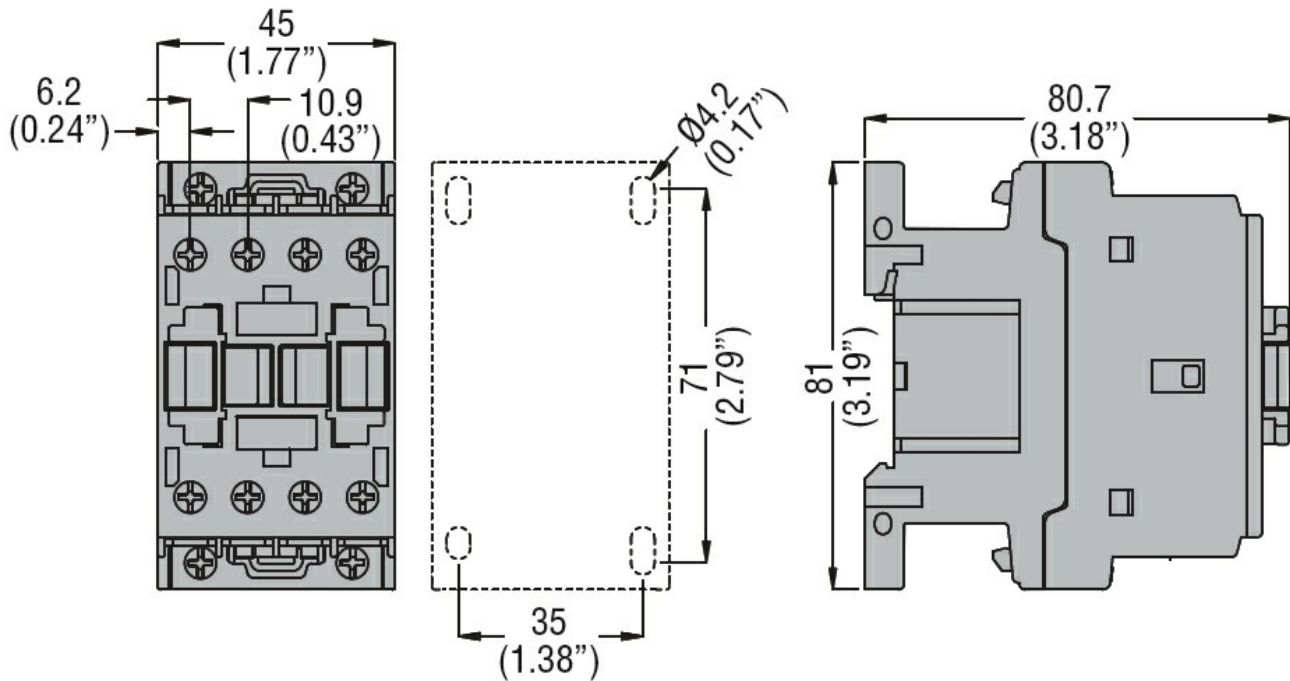
m	3000
---	------

Resistance & Protection

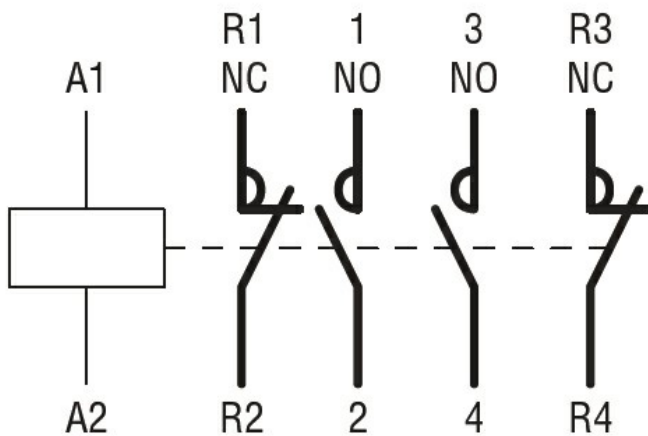
Pollution degree

3

Dimensions



Wiring diagrams



Certifications and compliance

Compliance

CSA C22.2 n° 60947-1
CSA C22.2 n° 60947-4-1
IEC/EN 60335-2-89
IEC/EN/BS 60947-1
IEC/EN/BS 60947-4-1
UL 60947-1
UL 60947-4-1

Certificates

CCC
CSA C22.2 n. 60335-2-40:22 LZGH A2L
CSA C22.2 No. 60335-2-89:21 LZGH A2L
cULus
EAC
UL 60335-2-40 LZGH A2L
UL 60335-2-89 LZGH A2L

ETIM classification

ETIM 8.0

EC000066 -
Power contactor,
AC switching