



Contact characteristics			
Number of poles	Nr.		4
Rated insulation voltage U <sub>i</sub> IEC/EN	V		690
Rated impulse withstand voltage U <sub>imp</sub>	kV		6
Operational frequency	min	Hz	25
	max	Hz	400
IEC Conventional free air thermal current I <sub>th</sub> ≤ 40°C	A		32
Operational current I <sub>e</sub>	AC-1 (≤40°C)	A	32
	AC-1 (≤55°C)	A	26
	AC-1 (≤70°C)	A	23
	AC-3 (≤440V ≤55°C)	A	18
	AC-4 (400V)	A	8.5
Rated operational power AC-1 (T≤40°C)	230V	kW	12
	400V	kW	21
	500V	kW	26
	690V	kW	36
Short-time allowable current for 10s (IEC/EN60947-1)	A		200
Protection fuse	gG (IEC)	A	32
	aM (IEC)	A	20
Making capacity (RMS value)	A		180
Breaking capacity at voltage	440V	A	144
	500V	A	120
	690V	A	94
Resistance per pole (average value)	mΩ		2.5
Power dissipation per pole (average value)	I <sub>th</sub>	W	2.6
	AC-3	W	0.8
Tightening torque for terminals	min	Nm	1.5
	max	Nm	1.8
	min	I <sub>bin</sub>	1.1
	max	I <sub>bin</sub>	1.5
Tightening torque for coil terminal	min	Nm	0.8
	max	Nm	1
	min	I <sub>bin</sub>	0.8
	max	I <sub>bin</sub>	0.74
Max number of wires simultaneously connectable	Nr.		2
Conductor section	AWG/Kcmil		

		max		10
Flexible w/o lug conductor section		min	mm <sup>2</sup>	1
		max	mm <sup>2</sup>	6
Flexible c/w lug conductor section		min	mm <sup>2</sup>	1
		max	mm <sup>2</sup>	4
Flexible with insulated spade lug conductor section		min	mm <sup>2</sup>	1
		max	mm <sup>2</sup>	6
Power terminal protection according to IEC/EN 60529				IP20 when properly wired
Cable stripping length				
	main circuit	mm		10
	command circuit	mm		8
<b>Mechanical features</b>				
Operating position		normal allowable		Vertical plan ±30°
Fixing				Screw / DIN rail 35mm
Weight			g	494
<b>Auxiliary contact characteristics</b>				
Thermal current Ith			A	32
IEC/EN 60947-5-1 designation				A600 - P600
<b>Operations</b>				
Mechanical life			cycles	20000000
Electrical life			cycles	1600000
<b>Safety related data</b>				
Performance level B10d according to EN/ISO 13489-1				
	rated load	cycles		1600000
	mechanical load	cycles		20000000
EMC compatibility				yes
<b>DC coil operating</b>				
DC rated control voltage			V	110
DC operating voltage				
	pick-up			
		min	%Us	70
		max	%Us	125
	drop-out			
		min	%Us	10
		max	%Us	40
Average coil consumption ≤20°C				
	in-rush	W		5.4
	holding	W		5.4
<b>Max cycles frequency</b>				
Mechanical operation			cycles/h	3600
<b>Operating times</b>				
Average time for Us control				
	in AC			
	Closing NO			
		min	ms	8
		max	ms	24
	Opening NO			

	min	ms	10
	max	ms	20
Closing NC			
	min	ms	14
	max	ms	28
Opening NC			
	min	ms	7
	max	ms	18
<hr/>			
in DC			
Closing NC			
	min	ms	24
	max	ms	30
Opening NC			
	min	ms	47
	max	ms	57

**UL technical data**

Rated operational voltage AC (UL) V 600

Full-load current (FLA) for three-phase AC motor

at 480V	A	14
at 600V	A	17

Yielded mechanical performance

for single-phase AC motor

110/120V	HP	1
230V	HP	3

for three-phase AC motor

200/208V	HP	5
220/240V	HP	5
460/480V	HP	10
575/600V	HP	15

General USE

Contactor

AC current A 32

Auxiliary contacts

AC voltage	V	600
AC current	A	10
DC voltage	V	250
DC current	A	1

Contact rating of auxiliary contacts according to UL

SI - A600

**Ambient conditions**

Temperature

Operating temperature

min	°C	-50
max	°C	70

Storage temperature

min	°C	-60
max	°C	80

Max altitude

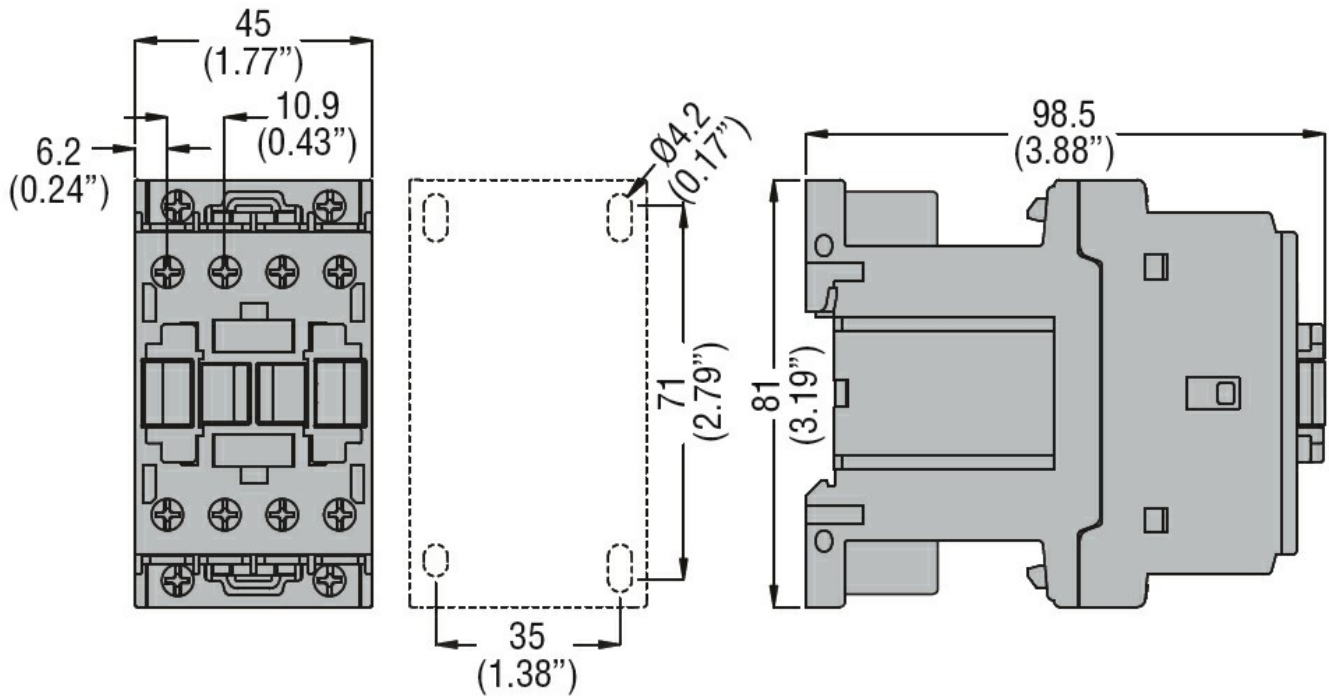
m 3000

**Resistance & Protection**

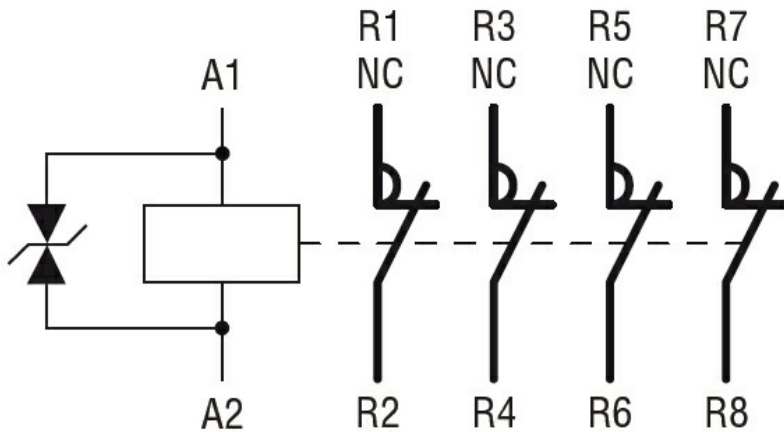
Pollution degree

3

**Dimensions**



### Wiring diagrams



### Certifications and compliance

#### Compliance

CSA C22.2 n° 60947-1

CSA C22.2 n° 60947-4-1

IEC/EN 60335-2-89

IEC/EN/BS 60947-1

IEC/EN/BS 60947-4-1

UL 60947-1

UL 60947-4-1

#### Certificates

CCC

CSA C22.2 n. 60335-2-40:22 LZGH A2L

CSA C22.2 No. 60335-2-89:21 LZGH A2L

cULus

EAC

UL 60335-2-40 LZGH A2L

UL 60335-2-89 LZGH A2L

### ETIM classification

ETIM 8.0

EC000066 -  
Power contactor,  
AC switching