



Contact characteristics			
Number of poles	Nr.	3	
Rated insulation voltage U_i IEC/EN	V	1000	
Rated impulse withstand voltage U_{imp}	kV	8	
Operational frequency	min	Hz	25
	max	Hz	400
IEC Conventional free air thermal current $I_{th} \leq 40^\circ\text{C}$	A	160	
Operational current I_e	AC-1 ($\leq 40^\circ\text{C}$)	A	160
	AC-1 ($\leq 55^\circ\text{C}$)	A	130
	AC-1 ($\leq 70^\circ\text{C}$)	A	115
	AC-3 ($\leq 440\text{V} \leq 55^\circ\text{C}$)	A	115
	AC-4 (400V)	A	54
Rated operational power AC-3 ($T \leq 55^\circ\text{C}$)	230V	kW	37
	400V	kW	55
	415V	kW	55
	440V	kW	55
	500V	kW	75
	690V	kW	110
	1000V	kW	55
Rated operational current AC-3 ($T \leq 55^\circ\text{C}$)	230V	A	115
	400V	A	115
	415V	A	115
	440V	A	115
	500V	A	106
	690V	A	106
	1000V	A	39
IEC max current I_e in DC1 with $L/R \leq 1\text{ms}$ with 1 poles in series	$\leq 24\text{V}$	A	160
	48V	A	160
	75V	A	120
	110V	A	10
	220V	A	–
IEC max current I_e in DC1 with $L/R \leq 1\text{ms}$ with 2 poles in series	$\leq 24\text{V}$	A	160
	48V	A	160
	75V	A	160
	110V	A	130
	220V	A	14
IEC max current I_e in DC1 with $L/R \leq 1\text{ms}$ with 3 poles in series	$\leq 24\text{V}$	A	160
	48V	A	160

	75V	A	160
	110V	A	140
	220V	A	145
<hr/>			
IEC max current I _e in DC1 with L/R ≤ 1ms with 4 poles in series	≤24V	A	160
	48V	A	160
	75V	A	160
	110V	A	160
	220V	A	160
<hr/>			
IEC max current I _e in DC3-DC5 with L/R ≤ 15ms with 1 poles in series	≤24V	A	160
	48V	A	50
	75V	A	40
	110V	A	6
	220V	A	–
<hr/>			
IEC max current I _e in DC3-DC5 with L/R ≤ 15ms with 2 poles in series	≤24V	A	160
	48V	A	72
	75V	A	65
	110V	A	65
	220V	A	7
<hr/>			
IEC max current I _e in DC3-DC5 with L/R ≤ 15ms with 3 poles in series	≤24V	A	160
	48V	A	150
	75V	A	100
	110V	A	100
	220V	A	92
<hr/>			
IEC max current I _e in DC3-DC5 with L/R ≤ 15ms with 4 poles in series	≤24V	A	160
	48V	A	120
	75V	A	120
	110V	A	125
	220V	A	115
<hr/>			
Short-time allowable current for 10s (IEC/EN60947-1)		A	920
<hr/>			
Protection fuse	gG (IEC)	A	200
	aM (IEC)	A	125
<hr/>			
Making capacity (RMS value)		A	1500
<hr/>			
Breaking capacity at voltage	440V	A	1200
	500V	A	850
	690V	A	905
<hr/>			
Resistance per pole (average value)		mΩ	0.45
<hr/>			
Power dissipation per pole (average value)	I _{th}	W	11.5
	AC-3	W	6.0
<hr/>			
Tightening torque for terminals	min	Nm	6
	max	Nm	7
	min	I _{bin}	4.4
	max	I _{bin}	5.2
<hr/>			
Tightening torque for coil terminal	min	Nm	0.8

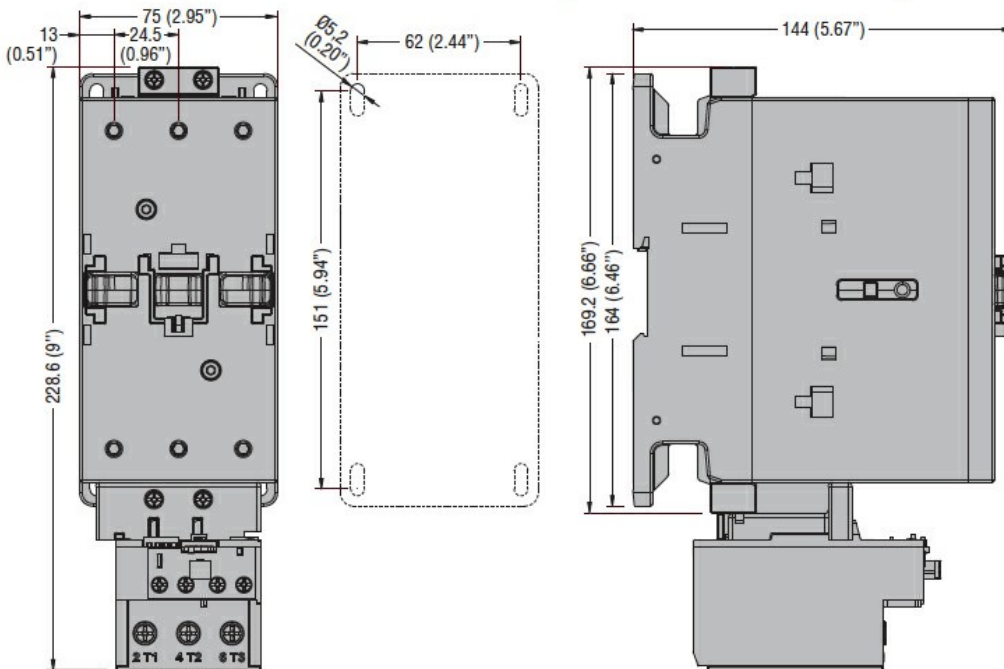
		max	Nm	1
		min	I _{bin}	0.59
		max	I _{bin}	0.74
Conductor section				
	AWG/Kcmil			
		max		2/0
Flexible w/o lug conductor section				
		min	mm ²	1.5
		max	mm ²	70
Flexible c/w lug conductor section				
		min	mm ²	1.5
		max	mm ²	70
Power terminal protection according to IEC/EN 60529				IP20 front
Mechanical features				
Operating position				
		normal allowable		Vertical plan ±30°
Fixing				Screw / DIN rail 35mm
Weight			g	2020
Operations				
Mechanical life			cycles	15000000
Electrical life			cycles	1200000
Safety related data				
Performance level B10d according to EN/ISO 13489-1				
		rated load	cycles	1200000
		mechanical load	cycles	15000000
AC coil operating				
Rated AC voltage at 60Hz			V	230
AC operating voltage				
	of 50/60Hz coil powered at 50Hz			
	drop-out	max	%Us	55
	of 60Hz coil powered at 60Hz			
	pick-up	min	%Us	80
		max	%Us	110
	drop-out	min	%Us	20
		max	%Us	55
AC average coil consumption at 20°C				
	of 60Hz coil powered at 60Hz			
		in-rush	VA	300
		holding	VA	20
Max cycles frequency				
Mechanical operation			cycles/h	1500
Operating times				
Average time for Us control in AC				
	Closing NO	min	ms	16
		max	ms	32
	Opening NO	min	ms	9

		max	ms	24
UL technical data				
Rated operational voltage AC (UL)			V	600
Yielded mechanical performance				
for three-phase AC motor				
	200/208V	HP		40
	220/240V	HP		40
	460/480V	HP		75
	575/600V	HP		100

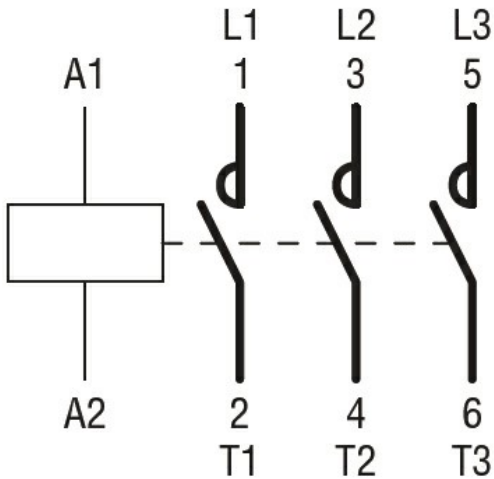
General USE				
Contactor				
	AC current	A		165
Short-circuit protection fuse, 600V				
High fault				
	Short circuit current	kA		100
	Fuse rating	A		200
	Fuse class			J
Standard fault				
	Short circuit current	kA		10
	Fuse rating	A		250
	Fuse class			RK5

Ambient conditions				
Temperature				
Operating temperature				
	min	°C		-50
	max	°C		70
Storage temperature				
	min	°C		-60
	max	°C		+80
Max altitude				
		m		3000

Dimensions



Wiring diagrams



Certifications and compliance

Compliance

CSA C22.2 n° 60947-1

CSA C22.2 n° 60947-4-1

IEC/EN 60335-2-89

IEC/EN/BS 60947-1

IEC/EN/BS 60947-4-1

UL 60947-1

UL 60947-4-1

Certificates

CCC

CSA C22.2 n. 60335-2-40:22 LZGH A2L

CSA C22.2 No. 60335-2-89:21 LZGH A2L

cULus

UL 60335-2-40 LZGH A2L

UL 60335-2-89 LZGH A2L

ETIM classification

ETIM 8.0

EC000066 -
Power contactor,
AC switching