



### Contact characteristics

Number of poles	Nr.	4
Rated insulation voltage $U_i$ IEC/EN	V	690
Rated impulse withstand voltage $U_{imp}$	kV	6
Operational frequency	min	Hz 25
	max	Hz 400
IEC Conventional free air thermal current $I_{th} \leq 40^\circ\text{C}$	A	10
Protection fuse	gG (IEC)	A 25
	Tightening torque for terminals	min Nm 1.5
	max Nm 1.8	
	min lbin 1.1	
	max lbin 1.5	
Tightening torque for coil terminal	min	Nm 0.8
	max	Nm 1
	min	lbin 0.8
	max	lbin 0.74
Max number of wires simultaneously connectable	Nr.	2
Conductor section	AWG/Kcmil	max 10
	Flexible w/o lug conductor section	min
max		mm <sup>2</sup> 6
Flexible c/w lug conductor section	min	mm <sup>2</sup> 1
	max	mm <sup>2</sup> 4
Flexible with insulated spade lug conductor section	min	mm <sup>2</sup> 1
	max	mm <sup>2</sup> 4
Power terminal protection according to IEC/EN 60529		IP20 when properly wired

### Mechanical features

Operating position	normal allowable	Vertical plan $\pm 30^\circ$
Fixing		Screw / DIN rail 35mm
Weight	g	496

### Auxiliary contact characteristics

Thermal current $I_{th}$	A	10
IEC/EN 60947-5-1 designation		A600 - P600

Operating current AC15	230V	A	3
	400V	A	1.9
	500V	A	1.4

Operating current DC12	110V	A	5.7
------------------------	------	---	-----

Operating current DC13	24V	A	5.7
	48V	A	2.9
	60V	A	2.3
	110V	A	1.25
	125V	A	1.1
	220V	A	0.55
	600V	A	0.2

**Operations**

Mechanical life	cycles	20000000
-----------------	--------	----------

**Safety related data**

Performance level B10d according to EN/ISO 13489-1	mechanical load	cycles	20000000
--	-----------------	--------	----------

EMC compatibility	yes
-------------------	-----

**DC coil operating**

DC rated control voltage	V	125
--------------------------	---	-----

DC operating voltage	pick-up	min	%Us	70
		max	%Us	125
	drop-out	min	%Us	10
		max	%Us	40

Average coil consumption $\leq 20^{\circ}\text{C}$	in-rush	W	5.4
	holding	W	5.4

**Max cycles frequency**

Mechanical operation	cycles/h	3600
----------------------	----------	------

**Operating times**

Average time for Us control in DC	Closing NO	min	ms	54
		max	ms	66
	Opening NO	min	ms	14
		max	ms	17
	Closing NC	min	ms	24
		max	ms	30
	Opening NC	min	ms	47
		max	ms	57

**UL technical data**

Rated operational voltage AC (UL)	V	600
-----------------------------------	---	-----

General USE	Auxiliary contacts	AC current	A	10
-------------	--------------------	------------	---	----

Contact rating of auxiliary contacts according to UL

A600 - P600

**Ambient conditions**

Temperature

Operating temperature

min	°C	-50
max	°C	70

Storage temperature

min	°C	-60
max	°C	80

Max altitude

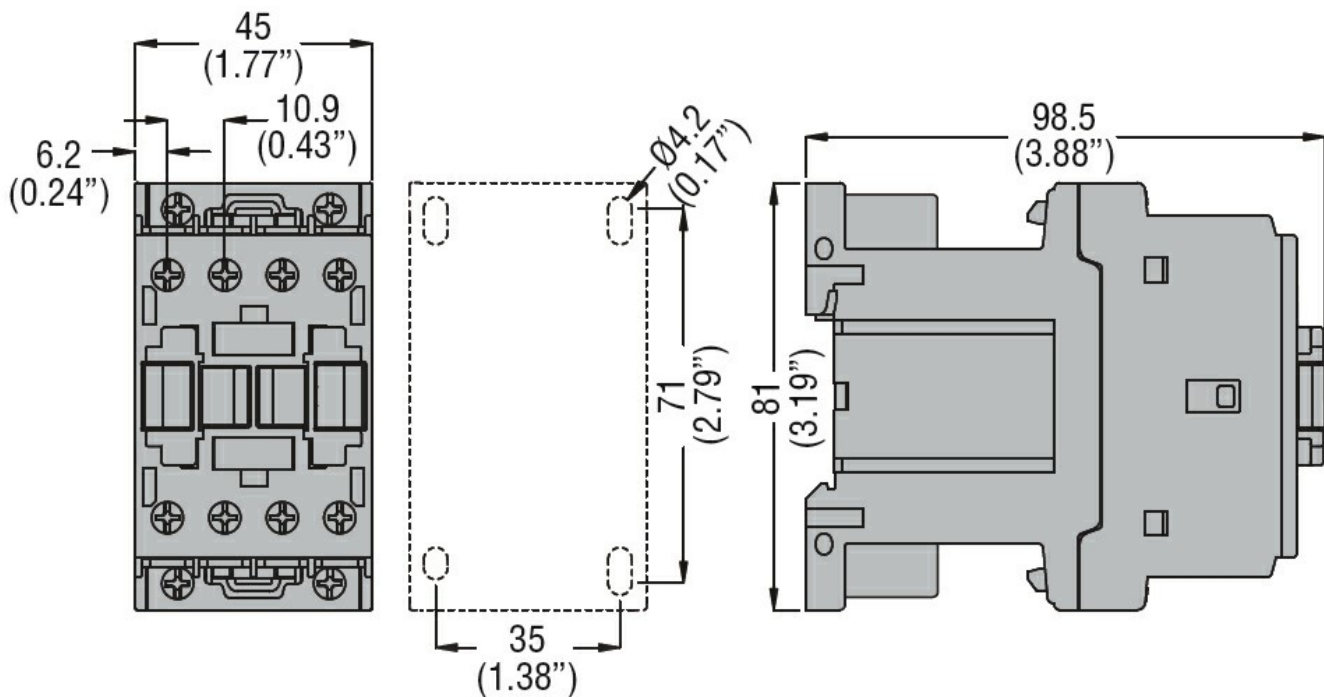
m 3000

**Resistance & Protection**

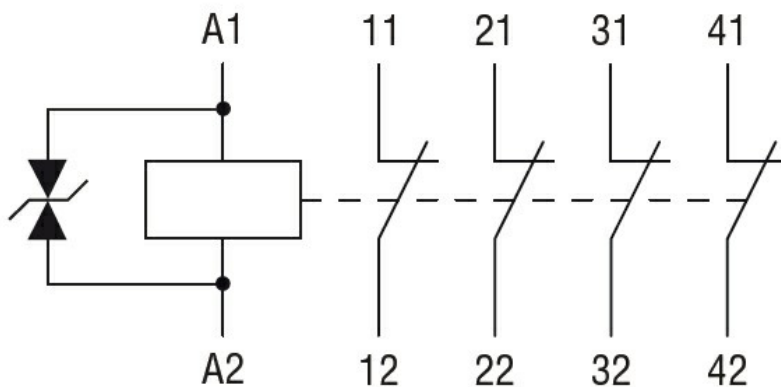
Pollution degree

3

**Dimensions**



**Wiring diagrams**



**Certifications and compliance**

Compliance

- CSA C22.2 n° 60947-1
- CSA C22.2 n° 60947-5-1
- IEC/EN 60947-1
- IEC/EN 60947-5-1
- UL 60947-1

	UL 60947-5-1
Certificates	CCC
	cULus
	EAC

<b>ETIM classification</b>	
ETIM 8.0	EC000196 - Contactor relay