



Contact characteristics			
Number of poles	Nr.		4
Rated insulation voltage $U_i$ IEC/EN	V		690
Rated impulse withstand voltage $U_{imp}$	kV		6
Operational frequency	min	Hz	25
	max	Hz	400
IEC Conventional free air thermal current $I_{th} \leq 40^\circ C$	A		10
Protection fuse	gG (IEC)	A	25
	Tightening torque for terminals		
	min	Nm	1.5
	max	Nm	1.8
	min	lbin	1.1
	max	lbin	1.5
Tightening torque for coil terminal	min	Nm	0.8
	max	Nm	1
	min	lbin	0.8
	max	lbin	0.74
Max number of wires simultaneously connectable	Nr.		2
Conductor section	AWG/Kcmil		
	max		10
Flexible w/o lug conductor section	min	mm <sup>2</sup>	1
	max	mm <sup>2</sup>	6
Flexible c/w lug conductor section	min	mm <sup>2</sup>	1
	max	mm <sup>2</sup>	4
Flexible with insulated spade lug conductor section	min	mm <sup>2</sup>	1
	max	mm <sup>2</sup>	4
Power terminal protection according to IEC/EN 60529			IP20 when properly wired
Mechanical features			
Operating position	normal		Vertical plan
	allowable		$\pm 30^\circ$
Fixing			Screw / DIN rail 35mm
Weight	g		360
Auxiliary contact characteristics			
Thermal current $I_{th}$	A		10
IEC/EN 60947-5-1 designation			A600 - P600

Operating current AC15	230V	A	3
	400V	A	1.9
	500V	A	1.4
Operating current DC12	110V	A	5.7
	Operating current DC13		
	24V	A	5.7
	48V	A	2.9
	60V	A	2.3
	110V	A	1.25
	125V	A	1.1
	220V	A	0.55
	600V	A	0.2

**Operations**

Mechanical life cycles 20000000

**Safety related data**

Performance level B10d according to EN/ISO 13489-1 mechanical load cycles 20000000

EMC compatibility yes

**AC coil operating**

Rated AC voltage at 50/60Hz V 48

AC operating voltage			
of 50/60Hz coil powered at 50Hz			
	pick-up	min	%Us 80
		max	%Us 110
	drop-out	min	%Us 20
		max	%Us 55
of 50/60Hz coil powered at 60Hz			
	pick-up	min	%Us 80
		max	%Us 110
	drop-out	min	%Us 20
		max	%Us 55

AC average coil consumption at 20°C			
of 50/60Hz coil powered at 50Hz			
	in-rush	VA	75
	holding	VA	9

of 50/60Hz coil powered at 60Hz			
	in-rush	VA	70
	holding	VA	6.5

of 60Hz coil powered at 60Hz			
	in-rush	VA	75
	holding	VA	9

Dissipation at holding ≤20°C 50Hz W 2.5

**Max cycles frequency**

Mechanical operation cycles/h 3600

**Operating times**

Average time for Us control  
in AC Closing NO

	min	ms	8
	max	ms	24
Opening NO			
	min	ms	10
	max	ms	20
Closing NC			
	min	ms	9
	max	ms	25
Opening NC			
	min	ms	9
	max	ms	15

**UL technical data**

Rated operational voltage AC (UL) V 600

General USE

Auxiliary contacts

AC current A 10

Contact rating of auxiliary contacts according to UL A600 - P600

**Ambient conditions**

Temperature

Operating temperature

min	°C	-50
max	°C	70

Storage temperature

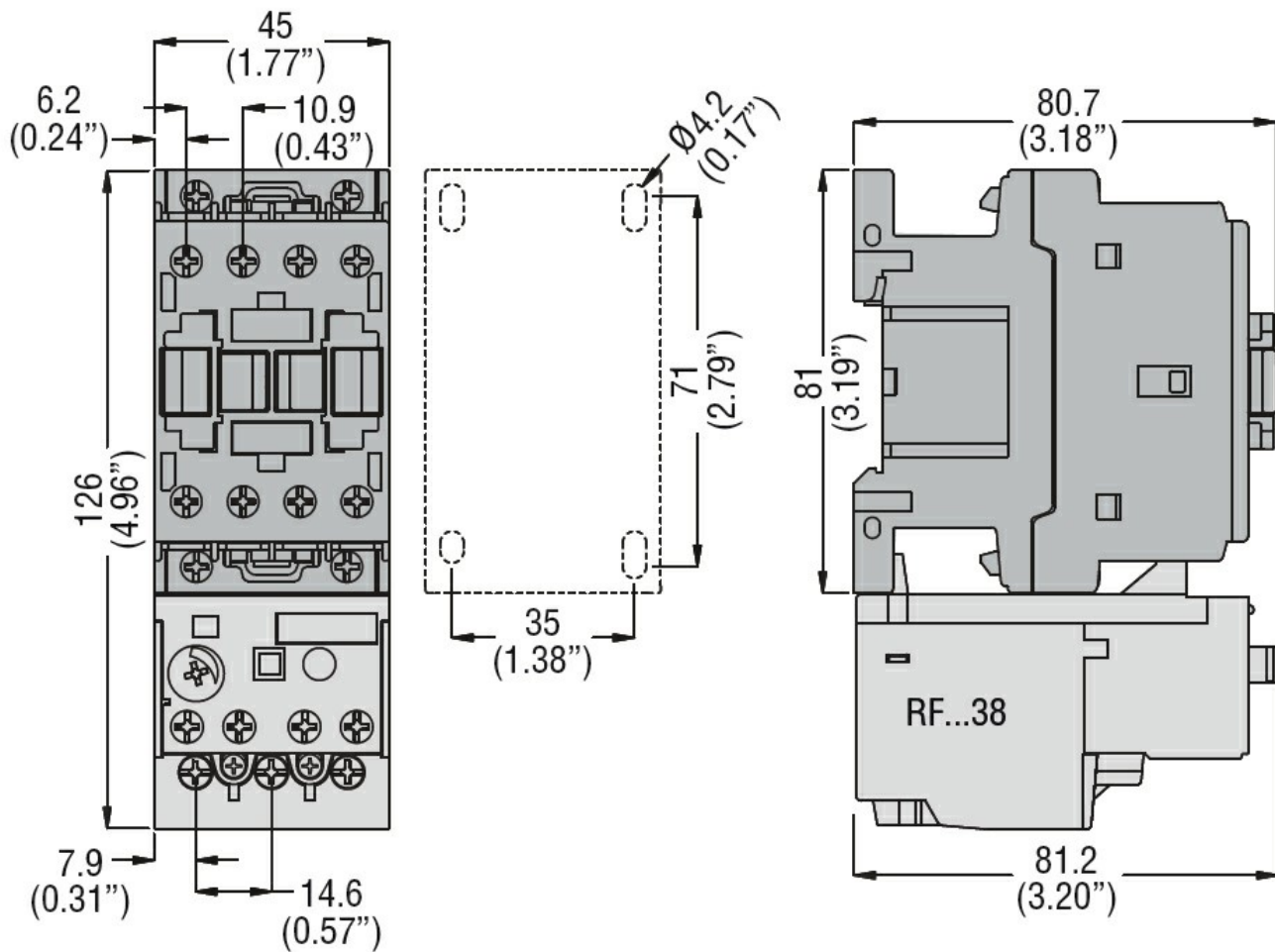
min	°C	-60
max	°C	80

Max altitude m 3000

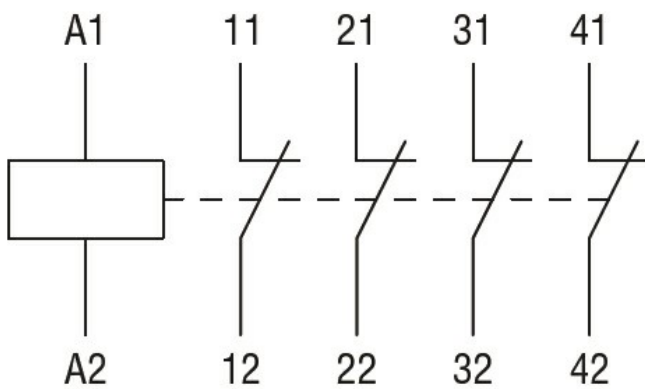
**Resistance & Protection**

Pollution degree 3

**Dimensions**



**Wiring diagrams**



**Certifications and compliance**

**Compliance**

- CSA C22.2 n° 60947-1
- CSA C22.2 n° 60947-5-1
- IEC/EN 60947-1
- IEC/EN 60947-5-1
- UL 60947-1
- UL 60947-5-1

**Certificates**

- CCC
- cULus
- EAC

ETIM classification

ETIM 8.0

EC000196 -  
Contactor relay