



Mechanical features

| | |
|--------|-----------------------|
| Fixing | Front centre mounting |
|--------|-----------------------|

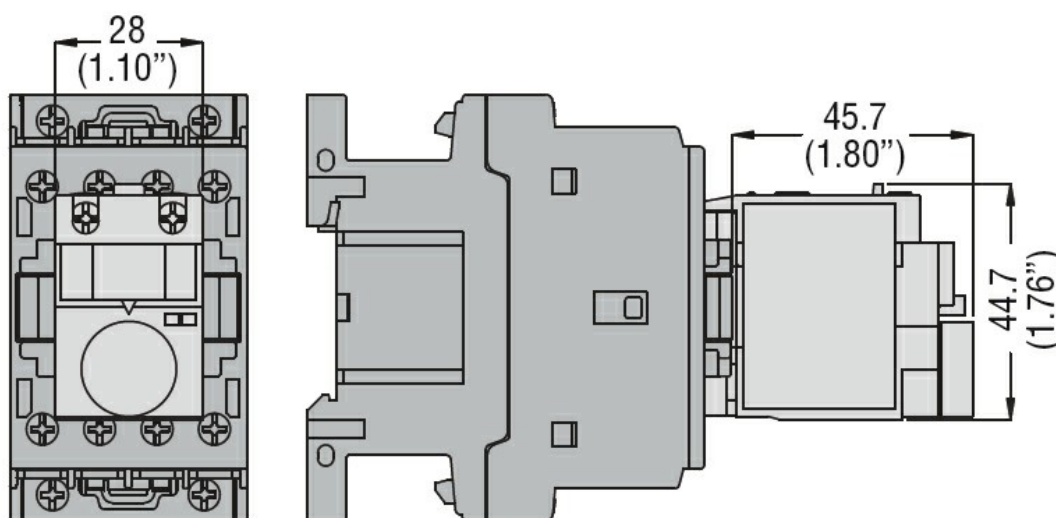
Auxiliary contact characteristics

| | |
|-----------------|-----------|
| Type of contact | 1NO + 1NC |
|-----------------|-----------|

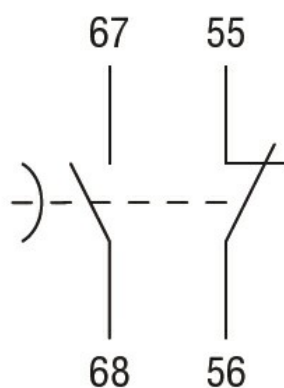
UL technical data

| | | |
|-----------------------------------|---|-----|
| Rated operational voltage AC (UL) | V | 600 |
|-----------------------------------|---|-----|

Dimensions



Wiring diagrams



Certifications and compliance

Compliance

CSA C22.2 n° 60947-1

CSA C22.2 n° 60947-5-1

IEC/EN 60947-1

IEC/EN 60947-5-1

UL 60947-1

UL 60947-5-1

Certificates

CCC

CSA

cURus

EAC

ETIM classification

ETIM 8.0

EC002498 -
Accessories/spare
parts for low-
voltage switch
technology