



Mechanical features

Fixing	Front centre mounting
--------	-----------------------

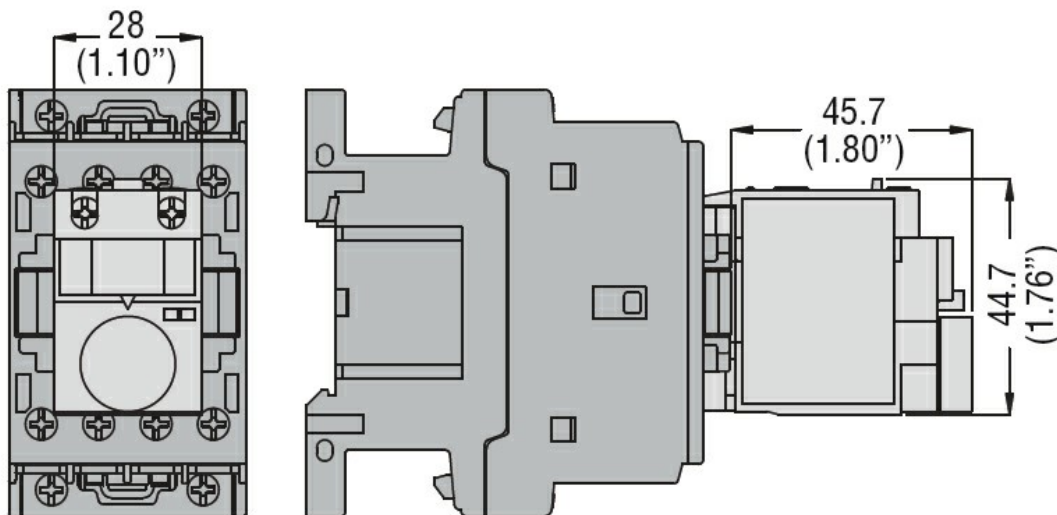
Auxiliary contact characteristics

Type of contact	1NO + 1NC
-----------------	-----------

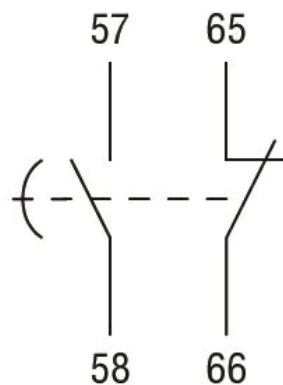
UL technical data

Rated operational voltage AC (UL)	V	600
-----------------------------------	---	-----

Dimensions



Wiring diagrams



Certifications and compliance

Compliance

CSA C22.2 n° 60947-1

CSA C22.2 n° 60947-5-1

IEC/EN 60947-1

IEC/EN 60947-5-1

UL 60947-1

UL 60947-5-1

Certificates

CCC

CSA

cURus

EAC

ETIM classification

ETIM 8.0

EC002498 -
Accessories/spare
parts for low-
voltage switch
technology