



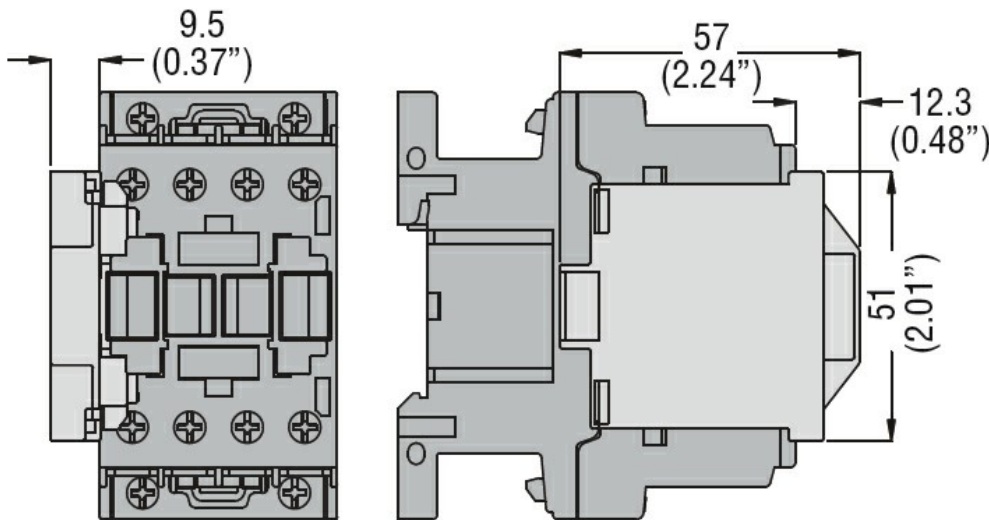
Mechanical features

Fixing Side mounting

UL technical data

Rated operational voltage AC (UL) V 600

Dimensions



Wiring diagrams



Certifications and compliance

| | |
|------------|------------------------|
| Compliance | CSA C22.2 n° 60947-1 |
| | CSA C22.2 n° 60947-5-1 |
| | IEC/EN 60947-1 |
| | IEC/EN 60947-5-1 |
| | UL 60947-1 |
| | UL 60947-5-1 |

Certificates

EAC

ETIM classification

ETIM 8.0

EC000041 -
Auxiliary contact
block