



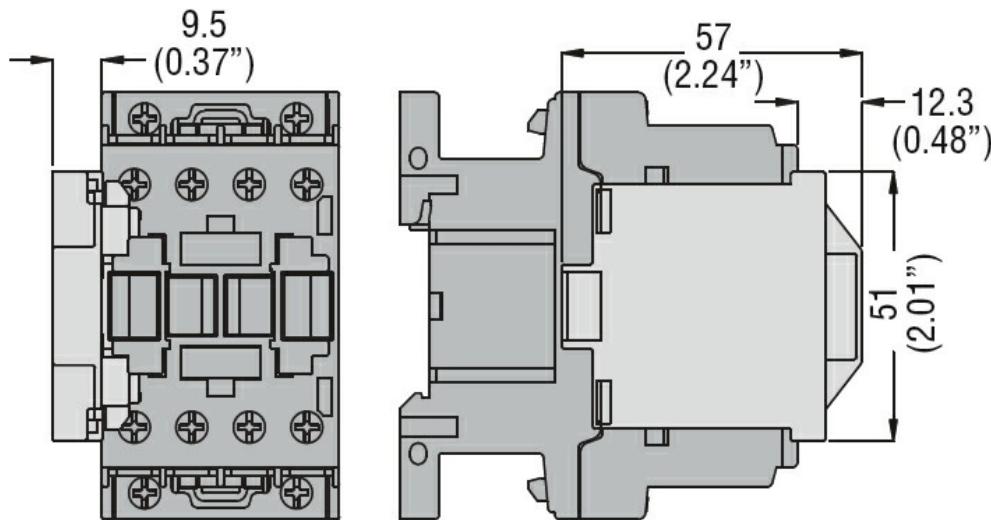
**Mechanical features**

Fixing Side mounting

**UL technical data**

Rated operational voltage AC (UL) V 600

**Dimensions**



**Wiring diagrams**



**Certifications and compliance**

**Compliance**

- CSA C22.2 n° 60947-1
- CSA C22.2 n° 60947-5-1
- IEC/EN 60947-1
- IEC/EN 60947-5-1
- UL 60947-1
- UL 60947-5-1

**Certificates**

EAC

ETIM classification

ETIM 8.0

EC000041 -  
Auxiliary contact  
block