



### Contact characteristics

Number of poles	Nr.	3
Rated insulation voltage $U_i$ IEC/EN	V	690
Rated impulse withstand voltage $U_{imp}$	kV	6
Operational frequency	min	Hz 25
	max	Hz 400
IEC Conventional free air thermal current $I_{th} \leq 40^\circ C$	A	20
Operational current $I_e$	AC-1 ( $\leq 40^\circ C$ )	A 20
	AC-1 ( $\leq 55^\circ C$ )	A 18
	AC-1 ( $\leq 70^\circ C$ )	A 15
	AC-3 ( $\leq 440V \leq 55^\circ C$ )	A 9
	AC-4 (400V)	A 4
Rated operational power AC-3 ( $T \leq 55^\circ C$ )	230V	kW 2.2
	400V	kW 4
	415V	kW 4.3
	440V	kW 4.5
	500V	kW 5
	690V	kW 5
Rated operational power AC-1 ( $T \leq 40^\circ C$ )	230V	kW 8
	400V	kW 14
	500V	kW 16
	690V	kW 22
IEC max current $I_e$ in DC1 with $L/R \leq 1ms$ with 1 poles in series	$\leq 24V$	A 12
	48V	A 10
	75V	A 4
	110V	A 3
	220V	A -
IEC max current $I_e$ in DC1 with $L/R \leq 1ms$ with 2 poles in series	$\leq 24V$	A 15
	48V	A 14
	75V	A 9
	110V	A 8
	220V	A -
IEC max current $I_e$ in DC1 with $L/R \leq 1ms$ with 3 poles in series	$\leq 24V$	A 16
	48V	A 16
	75V	A 10
	110V	A 10
	220V	A 2
IEC max current $I_e$ in DC1 with $L/R \leq 1ms$ with 4 poles in series	$\leq 24V$	A 16
	48V	A 16
	75V	A 10
	110V	A 10

	≤24V	A	16
	48V	A	16
	75V	A	10
	110V	A	10
	220V	A	2
<hr/>			
IEC max current Ie in DC3-DC5 with L/R ≤ 15ms with 1 poles in series	≤24V	A	7
	48V	A	6
	75V	A	2
	110V	A	1
	220V	A	–
<hr/>			
IEC max current Ie in DC3-DC5 with L/R ≤ 15ms with 2 poles in series	≤24V	A	8
	48V	A	8
	75V	A	5
	110V	A	4
	220V	A	–
<hr/>			
IEC max current Ie in DC3-DC5 with L/R ≤ 15ms with 3 poles in series	≤24V	A	10
	48V	A	10
	75V	A	6
	110V	A	5
	220V	A	0,8
<hr/>			
IEC max current Ie in DC3-DC5 with L/R ≤ 15ms with 4 poles in series	≤24V	A	10
	48V	A	10
	75V	A	6
	110V	A	5
	220V	A	0,8
<hr/>			
Short-time allowable current for 10s (IEC/EN60947-1)		A	96
<hr/>			
Protection fuse	gG (IEC)	A	20
	aM (IEC)	A	10
<hr/>			
Making capacity (RMS value)		A	92
<hr/>			
Breaking capacity at voltage	440V	A	72
	500V	A	72
	690V	A	72
<hr/>			
Resistance per pole (average value)		mΩ	10
<hr/>			
Power dissipation per pole (average value)	Ith	W	4
	AC-3	W	0.81
<hr/>			
Conductor section	AWG/Kcmil		
		max	12
<hr/>			
<b>Mechanical features</b>			
Operating position	normal allowable		Vertical plan ±30°
<hr/>			
Fixing			Screw / DIN rail 35mm
<hr/>			
Weight		g	180
<hr/>			
<b>Auxiliary contact characteristics</b>			

Thermal current I <sub>th</sub>		A	10
IEC/EN 60947-5-1 designation			A600 - Q600
Operating current AC15	230V	A	3
	400V	A	1.9
	500V	A	1.4
Operating current DC12	110V	A	2.9
Operating current DC13	24V	A	2.9
	48V	A	1.4
	60V	A	1.1
	125V	A	0.3
	220V	A	0.1
	600V	A	0.6

**Operations**

Mechanical life	cycles	20000000
Electrical life	cycles	500000

**Safety related data**

Performance level B10d according to EN/ISO 13489-1

	rated load	cycles	500000
	mechanical load	cycles	20000000
EMC compatibility			yes

**AC coil operating**

Rated AC voltage at 60Hz	V	120
AC operating voltage		
of 60Hz coil powered at 60Hz		
pick-up	min %Us	75
	max %Us	115
drop-out	min %Us	20
	max %Us	55

AC average coil consumption at 20°C

of 50/60Hz coil powered at 50Hz	in-rush	VA	30
	holding	VA	4
of 50/60Hz coil powered at 60Hz	in-rush	VA	25
	holding	VA	3
of 60Hz coil powered at 60Hz	in-rush	VA	30
	holding	VA	4

Dissipation at holding ≤20°C 50Hz

	W	0.95
--	---	------

**Max cycles frequency**

Mechanical operation	cycles/h	3600
----------------------	----------	------

**Operating times**

Average time for U <sub>s</sub> control			
in AC			
Closing NO	min	ms	12
	max	ms	21
Opening NO			

		min	ms	9
		max	ms	18
	Closing NC			
		min	ms	17
		max	ms	26
	Opening NC			
		min	ms	7
		max	ms	17
<hr/>				
	in DC			
	Closing NO			
		min	ms	18
		max	ms	25
	Opening NO			
		min	ms	2
		max	ms	3
	Closing NC			
		min	ms	3
		max	ms	5
	Opening NC			
		min	ms	11
		max	ms	17

**UL technical data**

Rated operational voltage AC (UL)		V		600
Full-load current (FLA) for three-phase AC motor				
	at 480V	A		7.6
	at 600V	A		6.1
<hr/>				
Yielded mechanical performance				
for single-phase AC motor				
	110/120V	HP		0.5
	230V	HP		1.5
for three-phase AC motor				
	200/208V	HP		2
	220/240V	HP		3
	460/480V	HP		5
	575/600V	HP		5

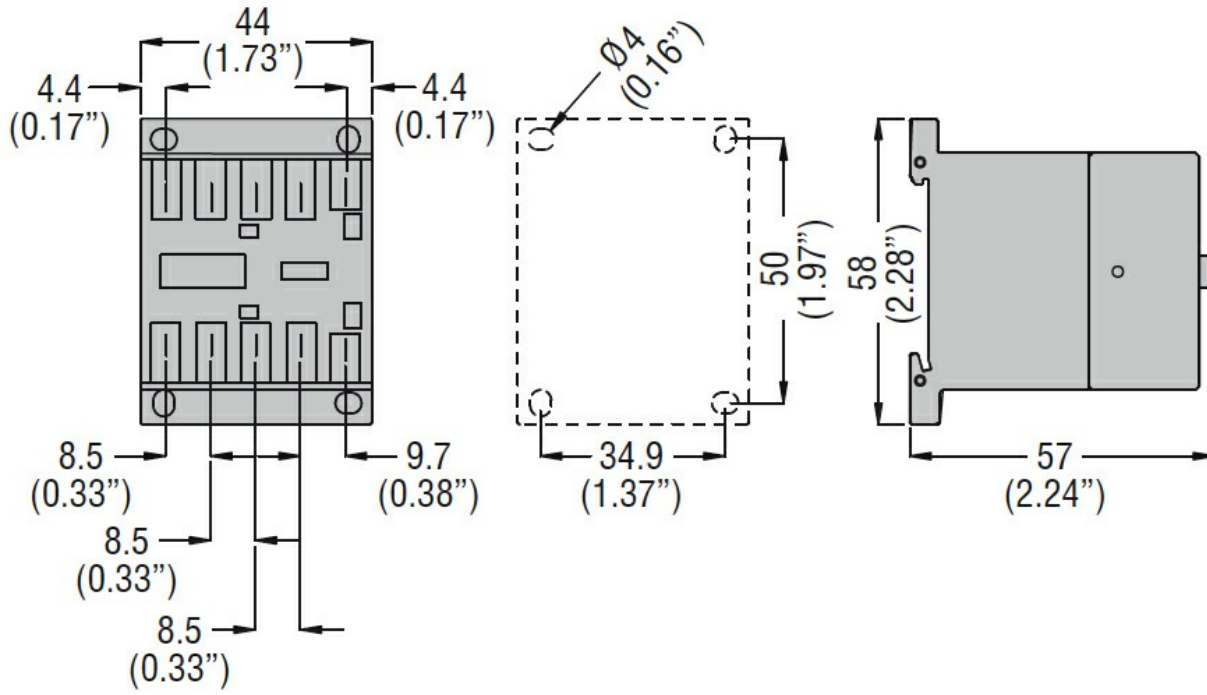
**General USE**

Contactor				
	AC current	A		20
<hr/>				
Short-circuit protection fuse, 600V				
High fault				
	Short circuit current	kA		100
	Fuse rating	A		30
	Fuse class			J
Standard fault				
	Short circuit current	kA		5
	Fuse rating	A		30
Contact rating of auxiliary contacts according to UL				A600 - Q600

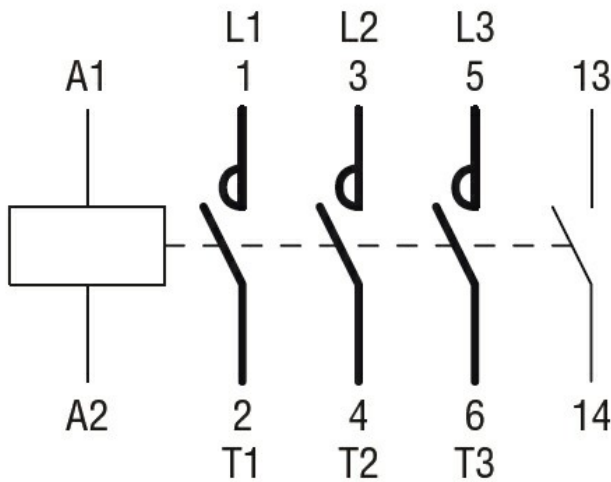
**Ambient conditions**

Temperature				
Operating temperature				
	min	°C		-50
	max	°C		+70
Storage temperature				
	min	°C		-60

	max	°C	+80
Max altitude		m	3000
<b>Resistance &amp; Protection</b>			
Pollution degree			3
<b>Dimensions</b>			



**Wiring diagrams**



**Certifications and compliance**

Compliance

- CSA C22.2 n° 60947-1
- CSA C22.2 n° 60947-4-1
- IEC/EN 60947-1
- IEC/EN 60947-4-1
- UL 60947-1
- UL 60947-4-1

Certificates

- CCC
- cULus
- EAC

ETIM classification

ETIM 8.0

EC000066 -  
Power contactor,  
AC switching