



### Contact characteristics

Number of poles	Nr.	3
Rated insulation voltage $U_i$ IEC/EN	V	690
Rated impulse withstand voltage $U_{imp}$	kV	6
Operational frequency	min	Hz 25
	max	Hz 400
IEC Conventional free air thermal current $I_{th} \leq 40^\circ\text{C}$	A	20
Operational current $I_e$	AC-1 ( $\leq 40^\circ\text{C}$ )	A 20
	AC-1 ( $\leq 55^\circ\text{C}$ )	A 18
	AC-1 ( $\leq 70^\circ\text{C}$ )	A 15
	AC-3 ( $\leq 440\text{V} \leq 55^\circ\text{C}$ )	A 12
	AC-4 (400V)	A 4.8
Rated operational power AC-3 ( $T \leq 55^\circ\text{C}$ )	230V	kW 3.2
	400V	kW 5.7
	415V	kW 6.2
	440V	kW 5.5
	500V	kW 5
	690V	kW 5
Rated operational power AC-1 ( $T \leq 40^\circ\text{C}$ )	230V	kW 8
	400V	kW 14
	500V	kW 16
	690V	kW 22
IEC max current $I_e$ in DC1 with $L/R \leq 1\text{ms}$ with 1 poles in series	$\leq 24\text{V}$	A 12
	48V	A 10
	75V	A 4
	110V	A 3
	220V	A –
IEC max current $I_e$ in DC1 with $L/R \leq 1\text{ms}$ with 2 poles in series	$\leq 24\text{V}$	A 15
	48V	A 14
	75V	A 9
	110V	A 8
	220V	A –
IEC max current $I_e$ in DC1 with $L/R \leq 1\text{ms}$ with 3 poles in series	$\leq 24\text{V}$	A 16
	48V	A 16
	75V	A 10
	110V	A 10
	220V	A 2
IEC max current $I_e$ in DC1 with $L/R \leq 1\text{ms}$ with 4 poles in series	$\leq 24\text{V}$	A 16
	48V	A 16
	75V	A 10
	110V	A 10
	220V	A 2

	≤24V	A	–
	48V	A	–
	75V	A	–
	110V	A	–
	220V	A	–
<hr/>			
IEC max current I <sub>e</sub> in DC3-DC5 with L/R ≤ 15ms with 1 poles in series	≤24V	A	7
	48V	A	6
	75V	A	2
	110V	A	1
	220V	A	–
<hr/>			
IEC max current I <sub>e</sub> in DC3-DC5 with L/R ≤ 15ms with 2 poles in series	≤24V	A	8
	48V	A	8
	75V	A	5
	110V	A	4
	220V	A	–
<hr/>			
IEC max current I <sub>e</sub> in DC3-DC5 with L/R ≤ 15ms with 3 poles in series	≤24V	A	10
	48V	A	10
	75V	A	6
	110V	A	5
	220V	A	0,8
<hr/>			
IEC max current I <sub>e</sub> in DC3-DC5 with L/R ≤ 15ms with 4 poles in series	≤24V	A	–
	48V	A	–
	75V	A	–
	110V	A	–
	220V	A	–
<hr/>			
Short-time allowable current for 10s (IEC/EN60947-1)		A	96
<hr/>			
Protection fuse	gG (IEC)	A	20
	aM (IEC)	A	16
<hr/>			
Making capacity (RMS value)		A	120
<hr/>			
Breaking capacity at voltage	440V	A	96
	500V	A	72
	690V	A	72
<hr/>			
Resistance per pole (average value)		mΩ	10
<hr/>			
Power dissipation per pole (average value)	I <sub>th</sub>	W	4
	AC-3	W	1.4
<hr/>			
Tightening torque for terminals	min	Nm	0.8
	max	Nm	1
	min	I <sub>bin</sub>	9
	max	I <sub>bin</sub>	9
<hr/>			
Tightening torque for coil terminal	min	Nm	0.8
	max	Nm	1
	min	I <sub>bin</sub>	9
	max	I <sub>bin</sub>	9
<hr/>			
Max number of wires simultaneously connectable		Nr.	2

Conductor section

AWG/Kcmil			max	12
Flexible w/o lug conductor section			min	mm <sup>2</sup> 0.8
			max	mm <sup>2</sup> 2.5
Flexible c/w lug conductor section			min	mm <sup>2</sup> 1.5
			max	mm <sup>2</sup> 2.5
Flexible with insulated spade lug conductor section			min	mm <sup>2</sup> 1.5
			max	mm <sup>2</sup> 2.5

Power terminal protection according to IEC/EN 60529 IP20

**Mechanical features**

Operating position

	normal allowable	Vertical plan ±30°
Fixing		Screw / DIN rail 35mm
Weight		g 200

**Auxiliary contact characteristics**

Thermal current I<sub>th</sub> A 10

IEC/EN 60947-5-1 designation Q600

Operating current AC15

230V	A	3
400V	A	1.9
500V	A	1.4

Operating current DC12

110V	A	2.9
------	---	-----

Operating current DC13

24V	A	2.9
48V	A	1.4
60V	A	1.2
110V	A	0.6
125V	A	0.55
220V	A	0.3
600V	A	0.1

**Operations**

Mechanical life cycles 20000000

Electrical life cycles 500000

**Safety related data**

Performance level B10d according to EN/ISO 13489-1

rated load	cycles	500000
mechanical load	cycles	20000000

EMC compatibility YES

**DC coil operating**

DC rated control voltage V 110

DC operating voltage

pick-up	min	%Us	75
	max	%Us	115
drop-out	min	%Us	10

		max	%Us	25
Average coil consumption $\leq 20^{\circ}\text{C}$		in-rush	W	3.2
		holding	W	3.2
<b>Max cycles frequency</b>				
Mechanical operation			cycles/h	3600
<b>Operating times</b>				
Average time for Us control				
in AC				
Closing NO		min	ms	12
		max	ms	21
Opening NO		min	ms	9
		max	ms	18
Closing NC		min	ms	17
		max	ms	26
Opening NC		min	ms	7
		max	ms	17
in DC				
Closing NO		min	ms	18
		max	ms	25
Opening NO		min	ms	2
		max	ms	3
Closing NC		min	ms	3
		max	ms	5
Opening NC		min	ms	11
		max	ms	17
<b>UL technical data</b>				
Rated operational voltage AC (UL)			V	600
Full-load current (FLA) for three-phase AC motor		at 480V	A	11
		at 600V	A	11
Yielded mechanical performance				
for single-phase AC motor		110/120V	HP	0.5
		230V	HP	1.5
for three-phase AC motor		200/208V	HP	3
		220/240V	HP	3
		460/480V	HP	7.5
		575/600V	HP	10
<b>General USE</b>				
Contactor		AC current	A	20
Short-circuit protection fuse, 600V				
High fault		Short circuit current	kA	100

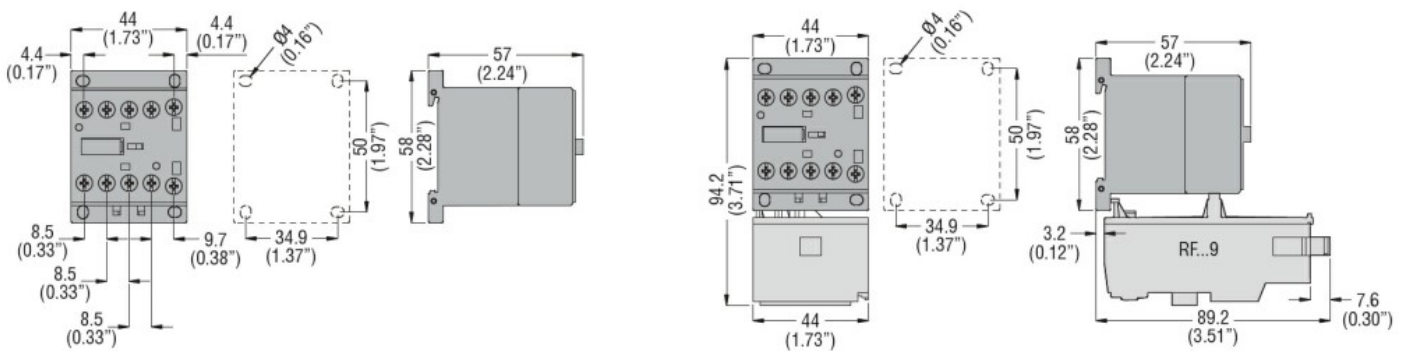
	Fuse rating	A	30
	Fuse class		J
Standard fault			
	Short circuit current	kA	5
	Fuse rating	A	30
	Fuse class		RK5
Contact rating of auxiliary contacts according to UL			A600 - Q600
<b>Ambient conditions</b>			
Temperature			
Operating temperature			
	min	°C	-50
	max	°C	+70
Storage temperature			
	min	°C	-60
	max	°C	+80
Max altitude		m	3000

**Resistance & Protection**

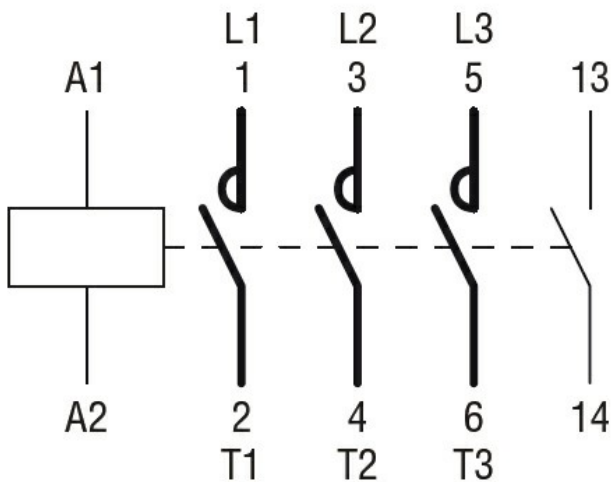
Pollution degree

3

**Dimensions**



**Wiring diagrams**



**Certifications and compliance**

Compliance

CSA C22.2 n° 60947-1

CSA C22.2 n° 60947-4-1

IEC/EN 60335-2-89

IEC/EN 60947-1

IEC/EN 60947-4-1

UL 60947-1

UL 60947-4-1

---

Certificates

CCC

---

CSA C22.2 n. 60335-2-40:22 LZGH A2L

---

CSA C22.2 No. 60335-2-89:21 LZGH A2L

---

cULus

---

EAC

---

UL 60335-2-40 LZGH A2L

---

UL 60335-2-89 LZGH A2L

---

ETIM classification

ETIM 8.0

EC000066 -  
Power contactor,  
AC switching