



**Contact characteristics**

Number of poles	Nr.	4
Rated insulation voltage $U_i$ IEC/EN	V	1000
Rated impulse withstand voltage $U_{imp}$	kV	8
Operational frequency	min	Hz 25
	max	Hz 400
IEC Conventional free air thermal current $I_{th} \leq 40^\circ C$	A	1000
Operational current $I_e$	AC-1 ( $\leq 40^\circ C$ )	A 1000
	AC-1 ( $\leq 55^\circ C$ )	A 850
	AC-1 ( $\leq 70^\circ C$ )	A 700
	AC-4 (400V)	A 260
Rated operational power AC-1 ( $T \leq 40^\circ C$ )	230V	kW 350
	400V	kW 600
	500V	kW 750
	690V	kW 1000
IEC max current $I_e$ in DC1 with $L/R \leq 1ms$ with 1 poles in series	75V	A 800
	110V	A 460
	220V	A --
	330V	A --
	460V	A --
IEC max current $I_e$ in DC1 with $L/R \leq 1ms$ with 2 poles in series	75V	A 800
	110V	A 800
	220V	A 700
	330V	A --
	460V	A --
IEC max current $I_e$ in DC1 with $L/R \leq 1ms$ with 3 poles in series	75V	A 800
	110V	A 800
	220V	A 800
	330V	A 700
	460V	A --
IEC max current $I_e$ in DC1 with $L/R \leq 1ms$ with 4 poles in series	75V	A 800
	110V	A 800
	220V	A 800
	330V	A 750
	460V	A 700
IEC max current $I_e$ in DC3-DC5 with $L/R \leq 15ms$ with 1 poles in series	75V	A 800
	110V	A 460

	220V	A	--
	330V	A	--
	460V	A	--
IEC max current I <sub>e</sub> in DC3-DC5 with L/R ≤ 15ms with 2 poles in series			
	75V	A	800
	110V	A	800
	220V	A	700
	330V	A	--
	460V	A	--
IEC max current I <sub>e</sub> in DC3-DC5 with L/R ≤ 15ms with 3 poles in series			
	75V	A	800
	110V	A	800
	220V	A	800
	330V	A	650
	460V	A	--
IEC max current I <sub>e</sub> in DC3-DC5 with L/R ≤ 15ms with 4 poles in series			
	75V	A	800
	110V	A	800
	220V	A	800
	330V	A	650
	460V	A	700
Short-time allowable current for 10s (IEC/EN60947-1)		A	5600
Protection fuse		gG (IEC)	A 1000
Making capacity (RMS value)		A	6300
Breaking capacity at voltage		440V	A 6300
		500V	A 5600
		690V	A 5000
Resistance per pole (average value)		mΩ	0.14
Power dissipation per pole (average value)		I <sub>th</sub>	W 140
		AC-3	W 56
Tightening torque for terminals		min	Nm 55
		max	Nm 55
		min	I <sub>bin</sub> 40.6
		max	I <sub>bin</sub> 40.6
Tightening torque for coil terminal		min	Nm 1
		max	Nm 1
		min	I <sub>bin</sub> 0.74
		max	I <sub>bin</sub> 0.74
Max number of wires simultaneously connectable		Nr.	2
Conductor section		AWG/Kcmil	
		max	2x 900 kcmil
Power terminal protection according to IEC/EN 60529			IP00
<b>Mechanical features</b>			
Operating position		normal allowable	Vertical plan ±30°
Fixing			Screw

Weight		g	26
<b>Operations</b>			
Mechanical life		cycles	5000000
Electrical life		cycles	700000
<b>Safety related data</b>			
Performance level B10d according to EN/ISO 13489-1			
	rated load	cycles	700000
	mechanical load	cycles	5000000
Mirror contacts according to IEC/EN 60947-4-1 annex F			Yes
EMC compatibility			yes
<b>AC coil operating</b>			
Rated AC voltage at 50/60Hz		V	48
AC operating voltage			
of 50/60Hz coil powered at 50Hz			
pick-up			
	min	%Us	80
	max	%Us	110
drop-out			
	min	%Us	20
	max	%Us	60
of 50/60Hz coil powered at 60Hz			
pick-up			
	min	%Us	80
	max	%Us	110
drop-out			
	min	%Us	20
	max	%Us	60
of 60Hz coil powered at 60Hz			
pick-up			
	min	%Us	80
	max	%Us	110
drop-out			
	min	%Us	20
	max	%Us	60
AC average coil consumption at 20°C			
of 50/60Hz coil powered at 50Hz			
	in-rush	VA	400
	holding	VA	18
of 50/60Hz coil powered at 60Hz			
	in-rush	VA	400
	holding	VA	18
Dissipation at holding ≤20°C 50Hz		W	18
<b>DC coil operating</b>			
DC rated control voltage		V	48
DC operating voltage			
pick-up			
	min	%Us	80
	max	%Us	110
drop-out			
	min	%Us	20
	max	%Us	60
Average coil consumption ≤20°C			
	in-rush	W	400
	holding	W	18

**Max cycles frequency**

Mechanical operation cycles/h 1200

**Operating times**

Average time for Us control

in AC

Closing NO

min ms 110  
max ms 180

Opening NO

min ms 60  
max ms 100

in DC

Closing NO

min ms 110  
max ms 180

Opening NO

min ms 60  
max ms 100

**UL technical data**

Rated operational voltage AC (UL) V 600

General USE

Contactor

AC current A 1000

Short-circuit protection fuse, 600V

Standard fault

Short circuit current kA 18  
Fuse rating A 1500  
Fuse class L

**Ambient conditions**

Temperature

Operating temperature

min °C -50  
max °C 70

Storage temperature

min °C -60  
max °C 80

Max altitude

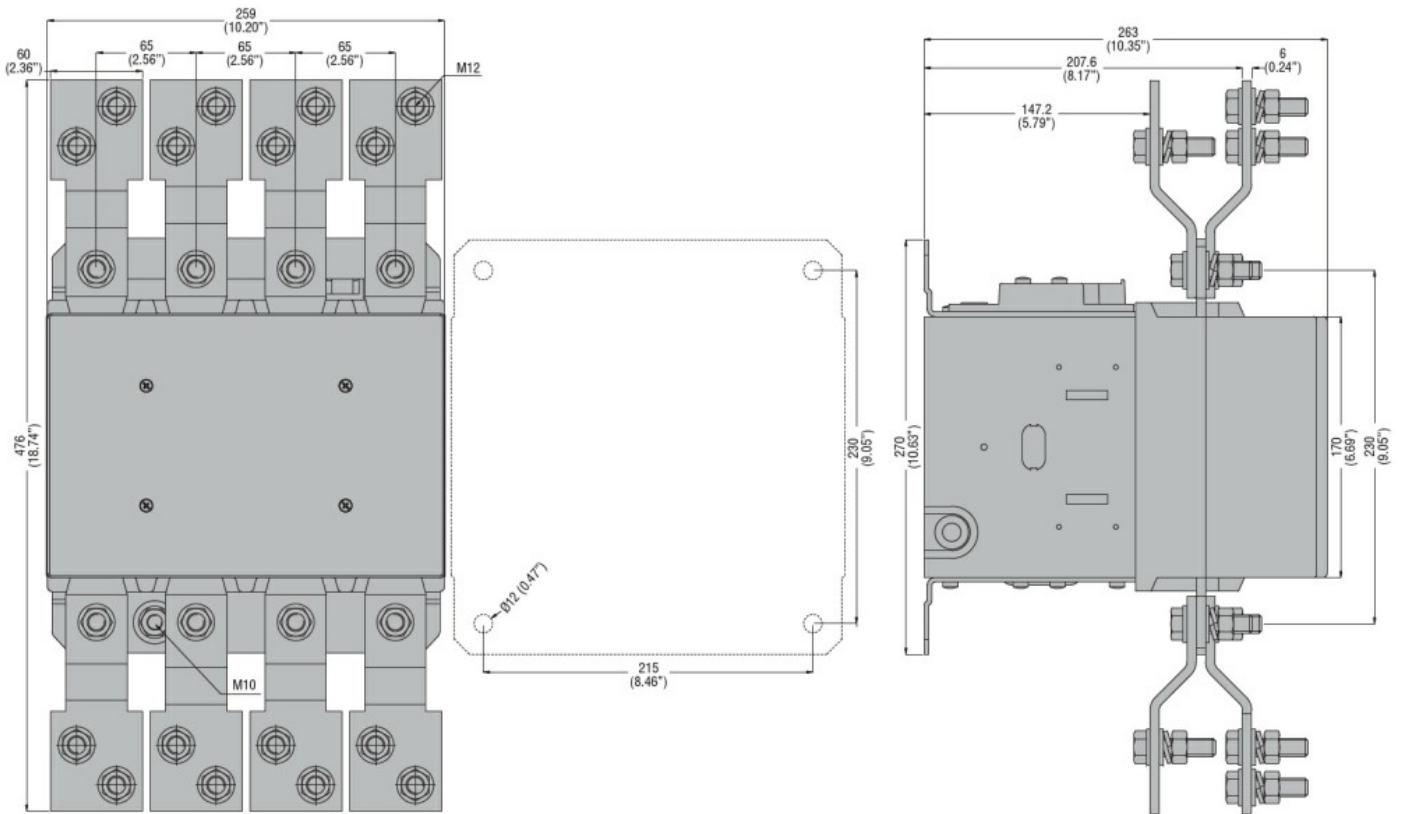
m 3000

**Resistance & Protection**

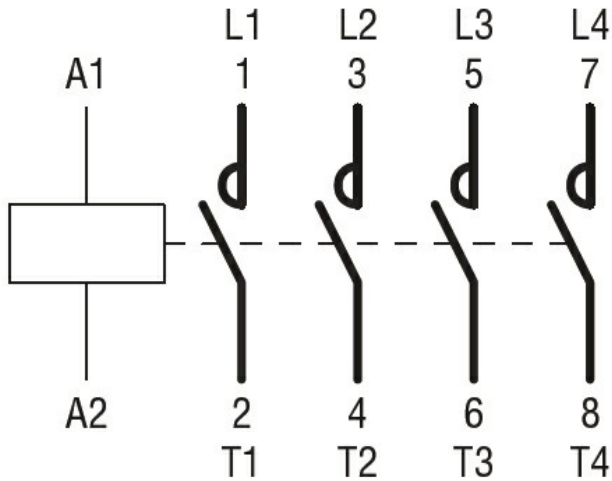
Pollution degree

3

**Dimensions**



**Wiring diagrams**



**Certifications and compliance**

**Compliance**

- CSA C22.2 n° 60947-1
- CSA C22.2 n° 60947-4-1
- IEC/EN 60947-1
- IEC/EN 60947-4-1
- UL 60947-1
- UL 60947-4-1

**Certificates**

- CCC
- cULus
- EAC

**ETIM classification**

ETIM 8.0

EC000066 -  
Power contactor,  
AC switching