



Contact characteristics

Number of poles	Nr.	3
Rated insulation voltage U_i IEC/EN	V	1000
Rated impulse withstand voltage U_{imp}	kV	8
Operational frequency	min	Hz 25
	max	Hz 400
IEC Conventional free air thermal current $I_{th} \leq 40^\circ C$	A	700
Operational current I_e	AC-1 ($\leq 40^\circ C$)	A 700
	AC-1 ($\leq 55^\circ C$)	A 550
	AC-1 ($\leq 70^\circ C$)	A 500
	AC-3 ($\leq 440V \leq 55^\circ C$)	A 520
	AC-4 (400V)	A 240
Rated operational power AC-3 ($T \leq 55^\circ C$)	400V	kW 290
Rated operational power AC-1 ($T \leq 40^\circ C$)	230V	kW 252
	400V	kW 438
	500V	kW 575
	690V	kW 755
IEC max current I_e in DC1 with $L/R \leq 1ms$ with 1 poles in series	75V	A 650
	110V	A 320
	220V	A --
	330V	A --
	460V	A --
IEC max current I_e in DC1 with $L/R \leq 1ms$ with 2 poles in series	75V	A 650
	110V	A 550
	220V	A 450
	330V	A --
	460V	A --
IEC max current I_e in DC1 with $L/R \leq 1ms$ with 3 poles in series	75V	A 650
	110V	A 600
	220V	A 600
	330V	A 450
	460V	A --
IEC max current I_e in DC1 with $L/R \leq 1ms$ with 4 poles in series	75V	A 650
	110V	A 600
	220V	A 600
	330V	A 600
	460V	A 450

IEC max current Ie in DC3-DC5 with L/R ≤ 15ms with 1 poles in series

75V	A	550
110V	A	320
220V	A	--
330V	A	--
460V	A	--

IEC max current Ie in DC3-DC5 with L/R ≤ 15ms with 2 poles in series

75V	A	550
110V	A	550
220V	A	450
330V	A	--
460V	A	--

IEC max current Ie in DC3-DC5 with L/R ≤ 15ms with 3 poles in series

75V	A	550
110V	A	550
220V	A	550
330V	A	450
460V	A	--

IEC max current Ie in DC3-DC5 with L/R ≤ 15ms with 4 poles in series

75V	A	550
110V	A	550
220V	A	550
330V	A	450
460V	A	450

Short-time allowable current for 10s (IEC/EN60947-1)

A	4050
---	------

Protection fuse

gG (IEC)	A	800
aM (IEC)	A	500

Making capacity (RMS value)

A	5000
---	------

Breaking capacity at voltage

440V	A	5000
500V	A	4500
690V	A	4000

Resistance per pole (average value)

mΩ	0.14
----	------

Power dissipation per pole (average value)

Ith	W	68.6
AC-3	W	35

Tightening torque for terminals

min	Nm	35
max	Nm	35
min	Ibin	25.8
max	Ibin	25.8

Tightening torque for coil terminal

min	Nm	1
max	Nm	1
min	Ibin	0.74
max	Ibin	0.74

Max number of wires simultaneously connectable

Nr.	2
-----	---

Conductor section

AWG/Kcmil

max	2x 500 kcmil
-----	--------------

Power terminal protection according to IEC/EN 60529

IP00

Mechanical features

Operating position

	normal allowable	Vertical plan ±30°
Fixing		Screw
Weight	g	1830

Operations

Mechanical life	cycles	5000000
Electrical life	cycles	700000

Safety related data

Performance level B10d according to EN/ISO 13489-1

	rated load mechanical load	cycles	700000
		cycles	5000000

Mirror contacts according to IEC/EN 60947-4-1 annex F

EMC compatibility	yes
-------------------	-----

AC coil operating

Rated AC voltage at 50/60Hz, 60Hz

	min	V	110
	max	V	125

AC operating voltage

of 50/60Hz coil powered at 50Hz
pick-up

min	%Us	80
max	%Us	110

drop-out

min	%Us	20
max	%Us	60

of 50/60Hz coil powered at 60Hz
pick-up

min	%Us	80
max	%Us	110

drop-out

min	%Us	20
max	%Us	60

of 60Hz coil powered at 60Hz
pick-up

min	%Us	80
max	%Us	110

drop-out

min	%Us	20
max	%Us	60

AC average coil consumption at 20°C

of 50/60Hz coil powered at 50Hz

in-rush	VA	400
holding	VA	18

of 50/60Hz coil powered at 60Hz

in-rush	VA	400
holding	VA	18

Dissipation at holding ≤20°C 50Hz

W	18
---	----

DC coil operating

DC rated control voltage

	min	V	110
	max	V	125
max		V	125

DC operating voltage			
pick-up	min	%Us	80
	max	%Us	110
drop-out			
	min	%Us	20
	max	%Us	60

Average coil consumption ≤20°C			
in-rush	W		400
holding	W		18

Max cycles frequency

Mechanical operation	cycles/h		1200
----------------------	----------	--	------

Operating times

Average time for Us control			
in AC			
Closing NO	min	ms	110
	max	ms	180
Opening NO	min	ms	60
	max	ms	100
in DC			
Closing NO	min	ms	110
	max	ms	180
Opening NO	min	ms	60
	max	ms	100

UL technical data

Rated operational voltage AC (UL)	V		600
-----------------------------------	---	--	-----

General USE			
Contactor			
AC current	A		700

Short-circuit protection fuse, 600V			
Standard fault			
Short circuit current	kA		18
Fuse rating	A		1200
Fuse class			L

Ambient conditions

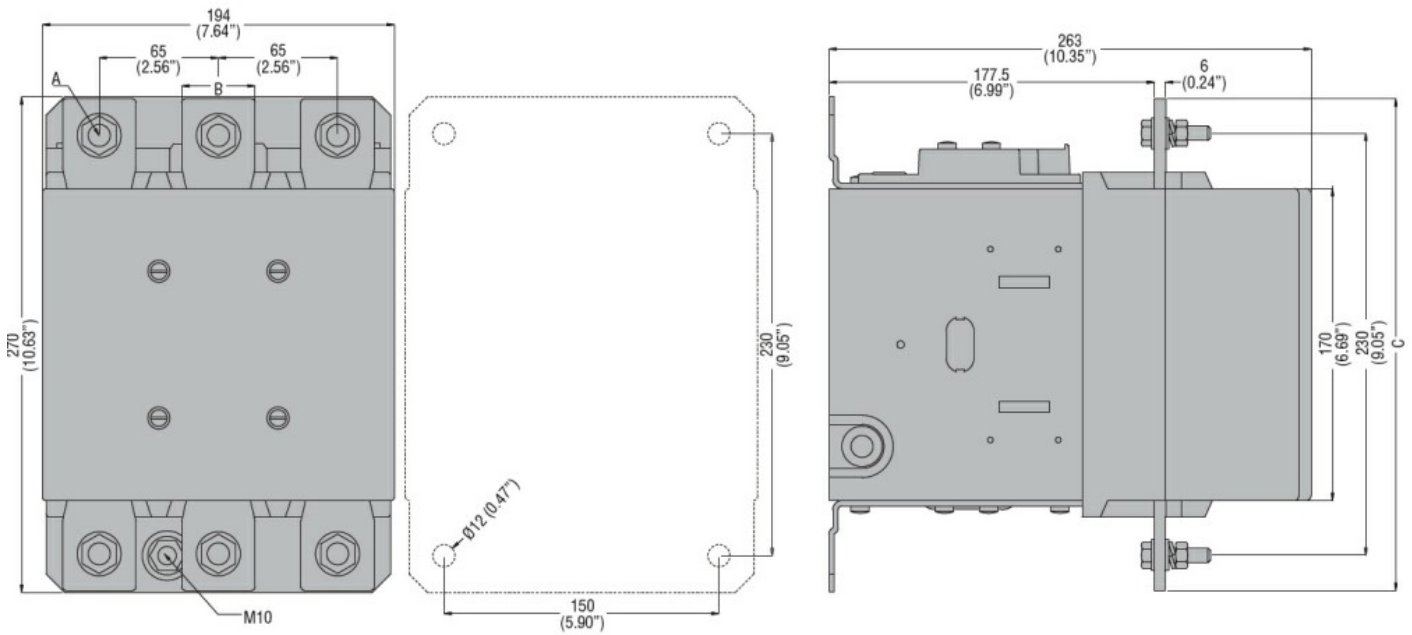
Temperature			
Operating temperature			
min	°C		-50
max	°C		70
Storage temperature			
min	°C		-60
max	°C		80

Max altitude	m		3000
--------------	---	--	------

Resistance & Protection

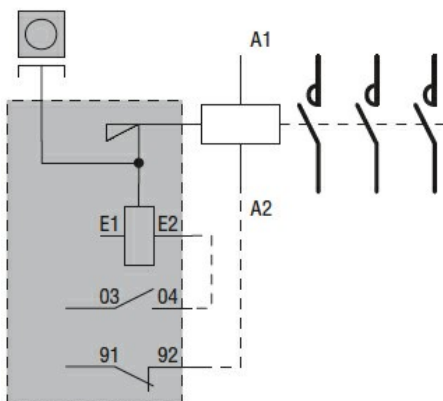
Pollution degree			3
------------------	--	--	---

Dimensions



CONTACTOR TYPE	A	B	C
B500	M10	35 (1.38")	265 (10.43")
B630	M12	40 (1.57")	270 (10.63")

Wiring diagrams



Certifications and compliance

Compliance

CSA C22.2 n° 60947-1
 CSA C22.2 n° 60947-4-1
 IEC/EN 60947-1
 IEC/EN 60947-4-1
 UL 60947-1
 UL 60947-4-1

Certificates

cULus

ETIM classification

ETIM 8.0

EC000066 -
Power contactor,
AC switching